



# User manual

Molift Quick Raiser 205

**molift**<sup>®</sup>  
by Etac

BM13099 - 2025-01-07 - Rev. 3.0



[www.etac.com](http://www.etac.com)



## Index

User manual - English .....	3
Bruksanvisning - Svenska .....	21
Brukermanual - Norsk .....	39
Brugsvejledning - Dansk .....	57
Käyttöohje - Suomi .....	75
Gebrauchsanweisung - Deutsch .....	93
Handleiding - Nederlands .....	113
Manual d`utilisation - Francais .....	131
Manuale d`uso - Italiano .....	149
Manual de usuario - Español .....	167
Uživatelská příručka - Čeština .....	185

## English Manual

EN

## Content

Molift Quick Raiser 205 .....	4
Components.....	4
About Molift Quick Raiser 205 .....	4
General.....	5
CE declaration .....	5
Conditions for Use .....	5
Modifications and use of components made by other manufacturers. ....	5
Warranty .....	5
Product identification.....	5
Technical Data Quick Raiser 205 .....	6
Assembly Instructions.....	7
Before assembly.....	7
1 - Battery .....	7
2 - Leg support.....	8
3 - Lifting column and chassis .....	8
4 - Lifting Arm.....	9
5 - Mains cable .....	9
6 - Hand control .....	10
Checklist after assembly .....	10
Reset service indicator .....	10
How to use Molift Quick Raiser 205.....	11
Before use / Daily check .....	11
Handcontrol .....	11
Safety devices.....	12
Steering handles .....	12
Brakes .....	12
Emergency stop / Emergency lowering ..	12
Electronics.....	13
Transport and operating conditions .....	13
Battery .....	13
Battery and Service indicator .....	13
Charging .....	14
Transfer.....	15
Using Slings .....	15
Adjusting leg support .....	15
Alternative leg support with straps .....	15
Using a 4-point suspension .....	16
Using a 2-point suspension .....	16
Raising/Lowering .....	17
Transfer .....	17
Accessories .....	18
Accessories.....	18
Lifting arms and slings .....	18
Maintenance .....	19
Cleaning and disinfection .....	19
Reconditioning.....	19
Recycling .....	19
Spare parts .....	19
Periodic Inspection .....	19
Periodic Inspection Scope.....	19
Troubleshooting .....	20

## Important

This user manual contains important safety instructions and information regarding the use of the lifter and accessories.

In this manual the user is the person being lifted. The assistant is the person operating the lifter.



**Warning!**  
This symbol indicates important information related to safety. Follow these instructions carefully.



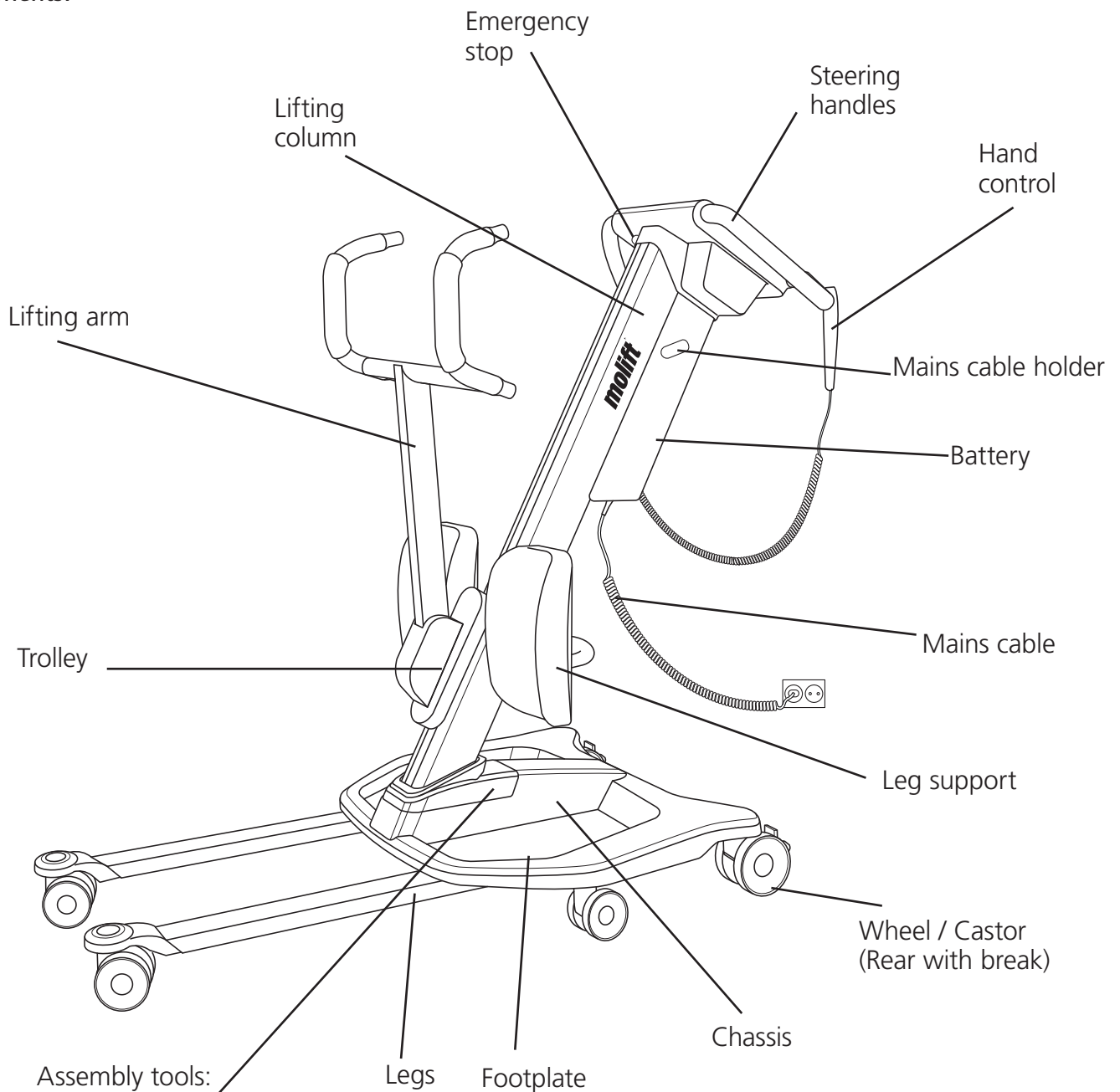
**Read User Manual before use!**  
It is important to fully understand the content of the user manual before attempting to use the equipment.

Download documentation at [www.etac.com](http://www.etac.com) to ensure you have the latest version.

Manufacturer's Declaration can be found in the Molift Quick Raiser Technical Manual (TM13001)

# Molift Quick Raiser 205

## Components:



Assembly tools:  
6mm allen key  
17mm spanner

## About Molift Quick Raiser 205

Molift Quick Raiser 205 is a sit-to-stand mobile lifter intended for raising and transferring a person from/to a chair, wheelchair or toilet with a sling. Molift Quick Raiser 205 is intended for users who can follow instructions, have good stability in upper body and can support weight on at least one leg, but needs assistance when standing. The shape of the lifter and geometry of the lifting movement imitates the natural pattern of movement of a person. The lifter is made of light-weight materials, has castors, and an electric

motor powered by a battery. The hoist is operated by using the hand control or the control panel on the hoist. It has electrically adjustable legs and with a lifting capacity of 205 kg (451lbs). It is ideal for institutional care settings but can also be used in private homes and nursing homes. The lifter should only be used for transfers across short distances, such as between a chair and a bed or into bathroom / rest room, and is not a replacement for wheelchair or similar.

# General EN


	<p><b>CE declaration</b></p> <p>The product, and its related accessories, described in this instruction for use (IFU), is in compliance with the regulation (EU) 2017/745 of 5. April 2017 – as a medical device, risk class I.</p> <p>The product has been tested and approved by a third party according to standards IEC 60601-1, IEC 60601-1-2 and EN/ISO 10535:2021.</p> <p>Any serious incident that occurs in relation to the device should be reported to the manufacturer and the competent authority of the Member State in which the user and/or patient is established.</p>
---	---


## Conditions for Use

Lift and transfer of a person will always pose a certain risk and only trained personnel are allowed to use the equipment and accessories covered by this user manual.

## Modifications and use of components made by other manufacturers.

We recommend only using Etac Molift components and spare parts. Declaration of conformity is not valid and Etac is not responsible for warranty if any modifications are made to the product. Etac shall not be liable for faults or accidents that can occur when using components made by other manufacturers.

	<p>Only certified personnel are allowed to open lifter or accessories to perform service or repair. Risk of injury from rotating parts and electric shock.</p>
--	--

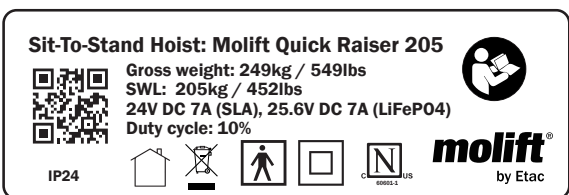
	<p>The lifter shall not be operated by the person being lifted.</p>
---	---
















<p><b>Warranty notice</b></p> <p>Two-year warranty against defects in workmanship and materials of our products.          One-year warranty for batteries.          Please refer to <a href="http://www.etac.com">www.etac.com</a> for terms and conditions.</p>
--

## Product identification

### Product label / GS1-128

The barcode label contain EAN number, serial number and production date.



- |   |   |
|---|---|
| <ul style="list-style-type: none"> <li> Type BF applied part</li> <li> CE marked</li> <li> Refer to user manual</li> <li> Indoor Use only</li> <li> Do not dispose in general waste</li> <li> Emergency lowering</li> <li> Service indicator</li> <li> Battery indicator</li> </ul> | <ul style="list-style-type: none"> <li> Charging indicator</li> <li> Double isolation symbol</li> <li> Manufacturer</li> <li> Date of manufacture</li> <li> Catalogue number</li> <li> Serial number</li> <li> Medical Device</li> </ul> |
|---|---|

## Warning labels and Symbols

Symbols used on the product, explained in more detail:

**EN** **Technical Data Quick Raiser 205**

**Safe Working Load (SWL):**

205 kg (451 lbs)

**Weight of unit:**

Total weight of unit: 44,5 kg/98 lbs  
 Chassis: 17 kg/37,5 lbs  
 Lifting column: 19 kg/41,9 lbs  
 Leg support: 3,5 kg/7,7 lbs  
 4-point lifting arm: 5 kg/11 lbs

**Battery:**

SLA 24V 2.9 Ah  
 LiFePO4 25.6V 2.4 Ah

**Battery charger:**

Input: 100-240 VAC, 50-60 Hz, max 0.35 A  
 Output: 29.4 VDC, 0,5 A

**Battery charge time:**

5 hours

**Rated performance:**

100 hoists at: 75 kg and 500mm

**Lifting speed:**

35mm/second (1,4 inches/second)  
 with 75kg (165 lbs) load

**Protection class:**

IP24 (Complete lifter).  
 The object, probe sphere of 12.5mm Ø shall not fully penetrate. Water splashing against the enclosure from any direction shall have no harmful effect.

**Operating forces button:**

Buttons on control panel: < 5 N  
 Buttons on handset: < 5 N

**Material:**

Aluminum, Plastic, steel

**Motor:**

Lifting motor: 24 V DC  
 Leg spreading motor: 24 V DC

**Turning diameter:**

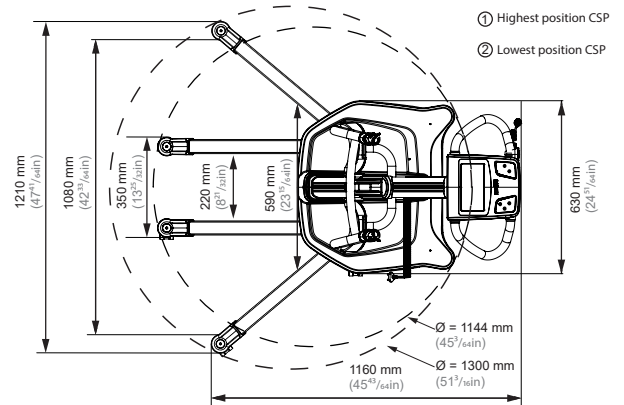
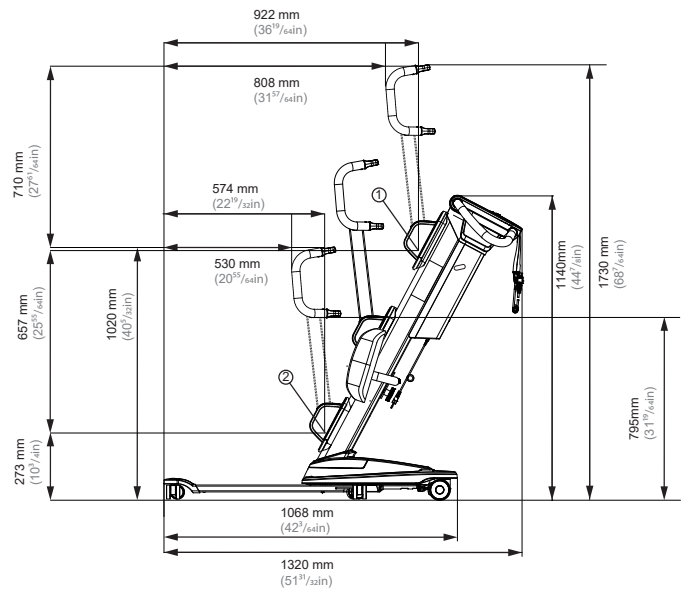
1144 mm / 1300 mm (45<sup>3</sup>/<sub>64</sub> in) / (51<sup>3</sup>/<sub>16</sub> in)

**Expected Lifetime:**

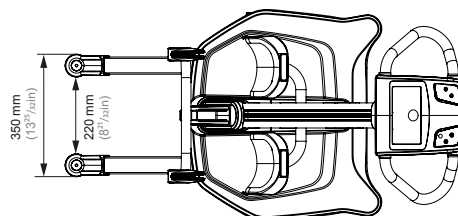
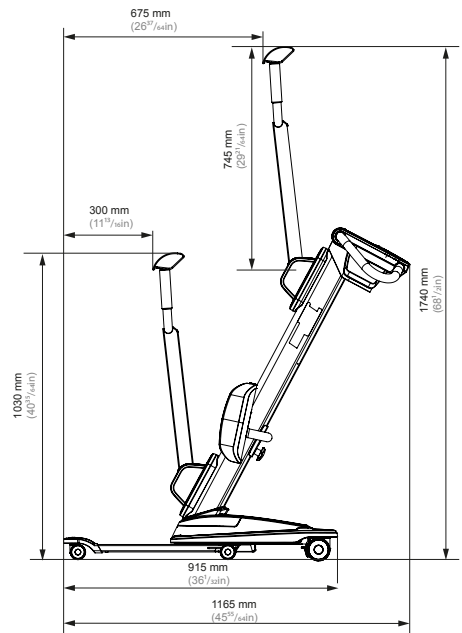
The lifter and accessories has an expected lifetime of 30 000 cycles or 10 years.

**Applied parts:**

Sling  
 Foot rest  
 Rocker arm handles



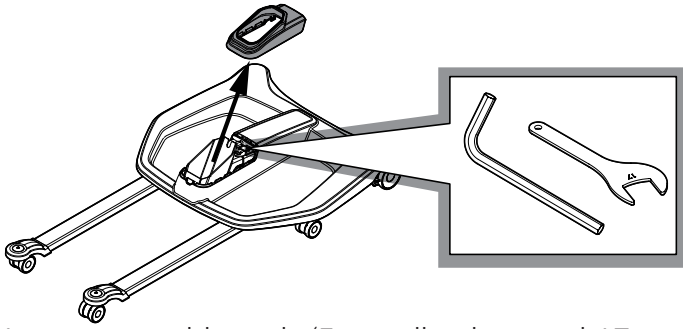
Measurements, QuickRaiser 205 with fixed legs:



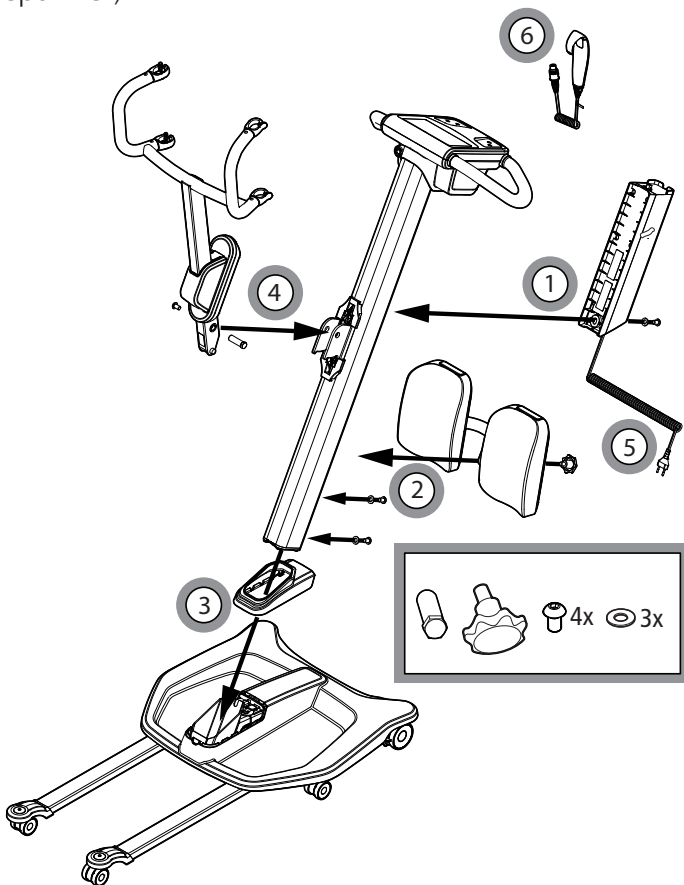
# Assembly Instructions

EN

## Before assembly

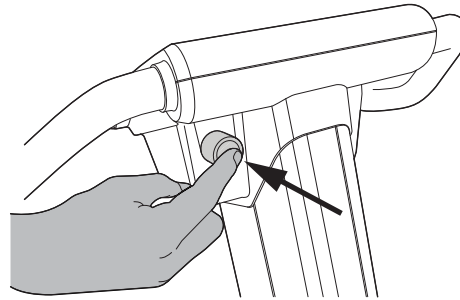


Locate assembly tools (5mm allen key, and 17mm spanner)

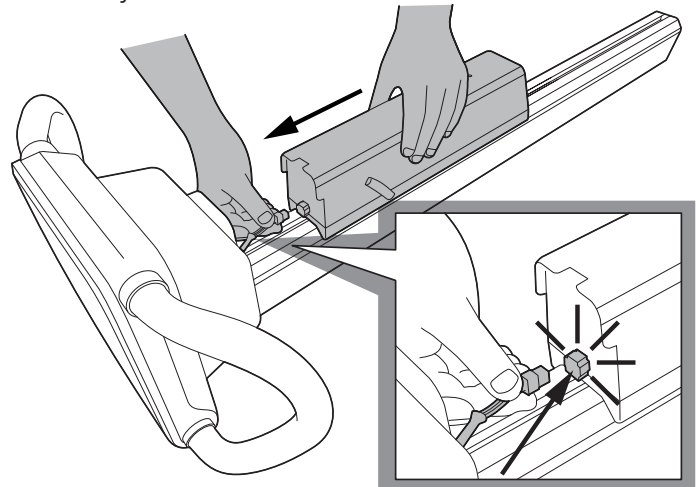


1. Battery
2. Leg Support
3. Column in chassis
4. Lifting Arm
5. Mains cable
6. Hand control

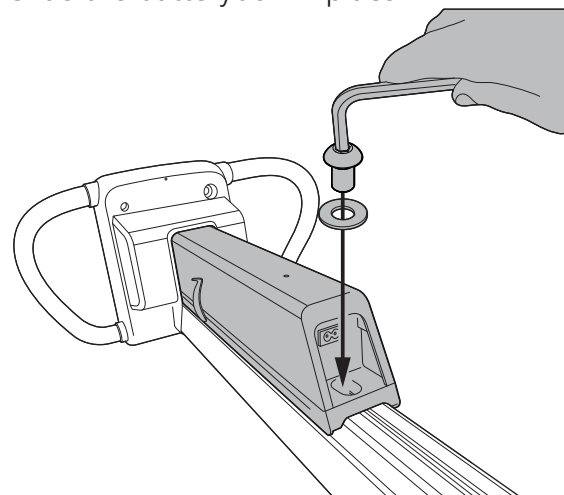
## 1 - Battery



Push in the emergency stop button before assembly



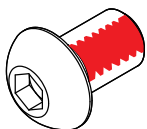
Place the column on a horizontal surface. Make sure the emergency stop is pushed in. Connect wire from control panel to battery box. Slide the batterybox in place.



Use the allen key and tighten screw clockwise. NB! make sure to use the washer.



Only trained personell shall assemble the lifter

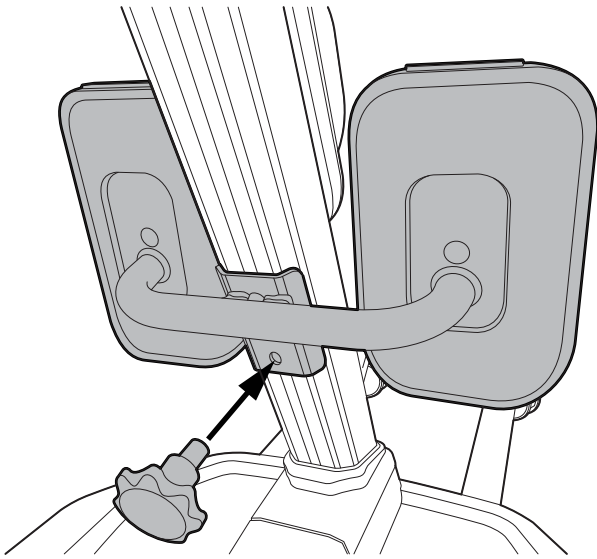


All screws with pre applied threadlock should only be used once. Spare part art.no 2920075

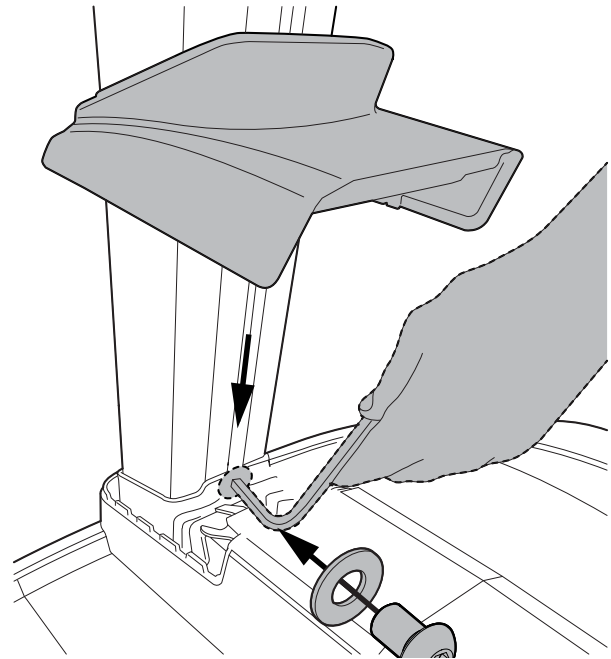


Make sure the battery is properly fastened before mounting the column in the chassis

## 2 - Leg support

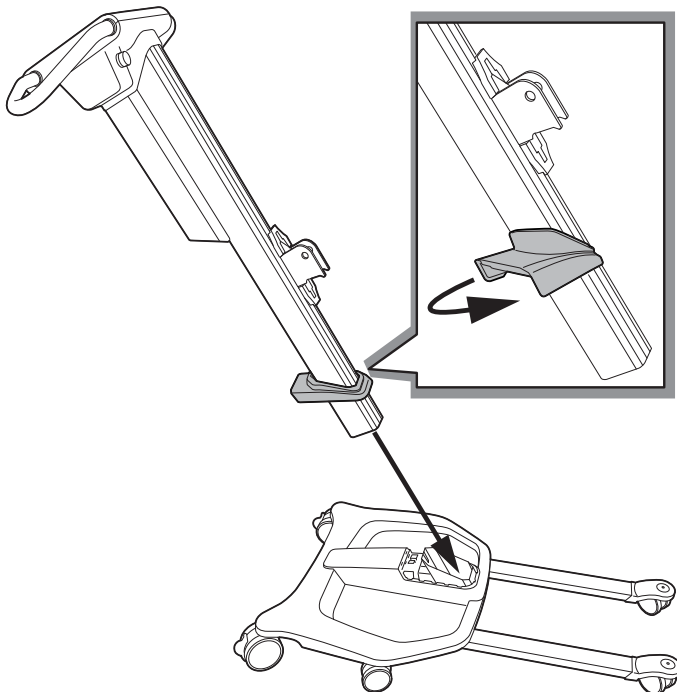


Mount the leg support bracket.

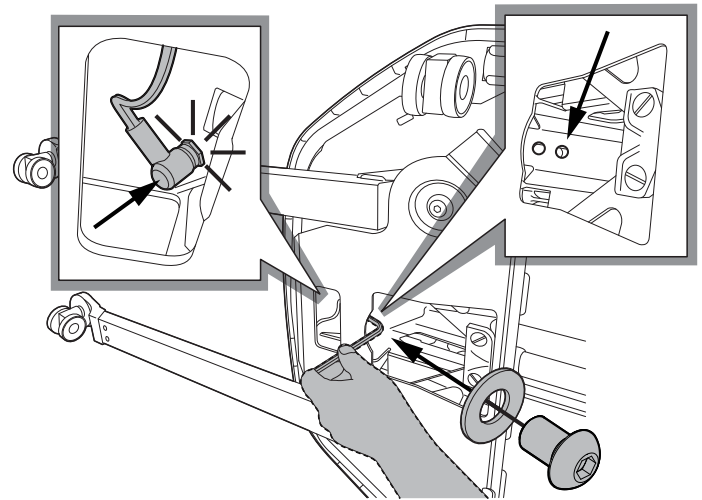


Mount the screw with washer on column. Slide the screw down to chassis, and tighten the screw.

## 3 - Lifting column and chassis



Place the cover on to the lifting column. Twist the cover sideways to make it stay on column. Insert the lifting column into the chassis.



Turn the lifter over on the side. Insert screw and washer in the top hole and tighten the screw. Connect cable between column and chassis. (NB! The cable is NOT applicable with the Molift Quick Raiser 205 FL version)

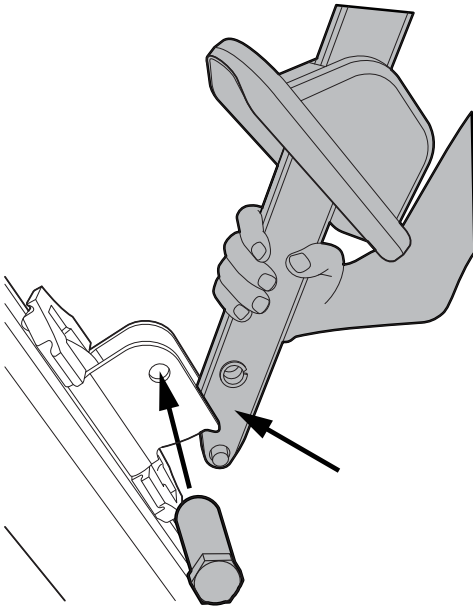


The screws will ensure that the column cannot be pulled upwards. Do not use lifter unless both screws are securely fastened.

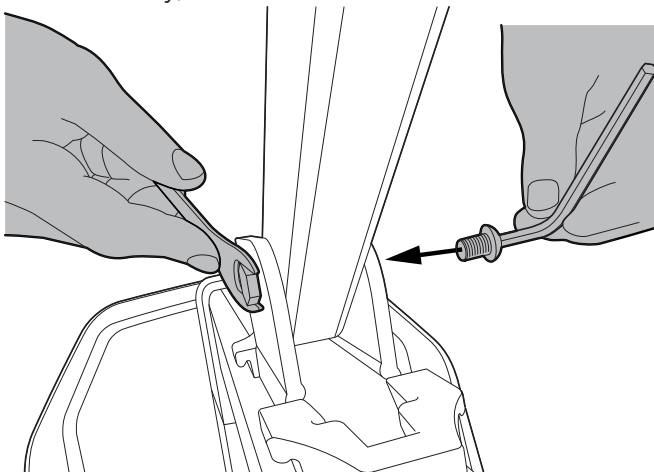
# Assembly Instructions

**EN**

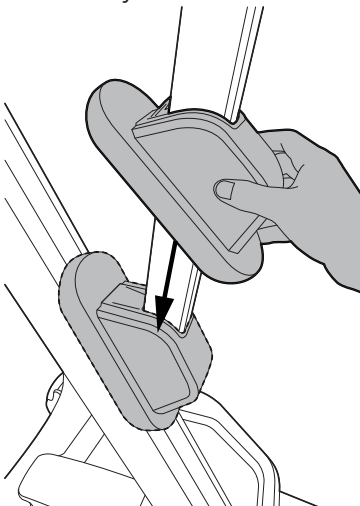
## 4 - Lifting Arm



Place the cover onto the lifting arm. Place lifting arm in trolley, and insert the bolt.

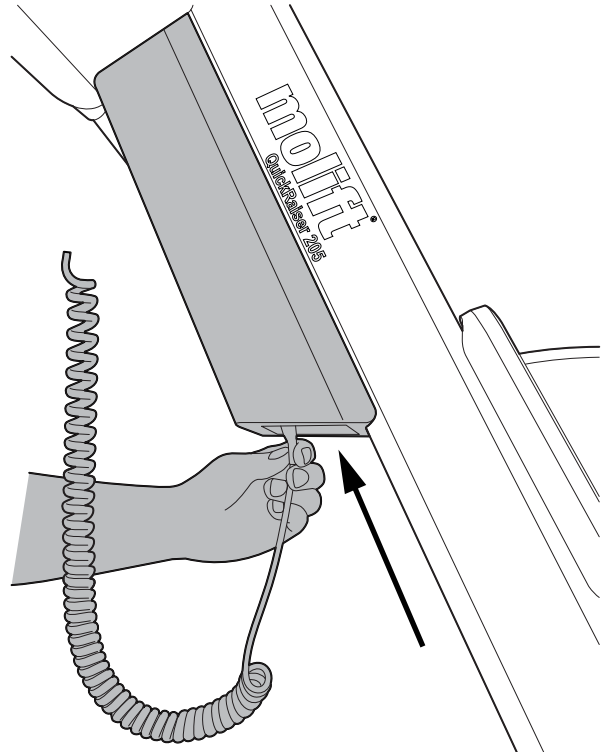


Insert the bolt and tighten the screw using the 17mm spanner and an 6mm allen key. Make sure the lifting arm is properly fastened to the trolley on the column.

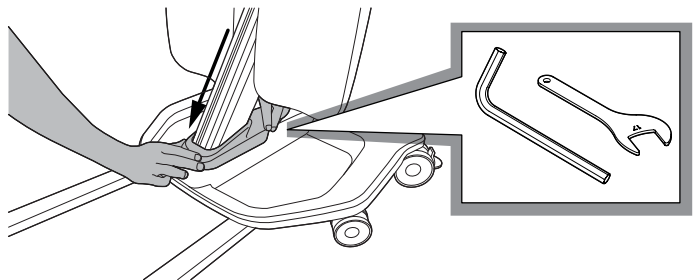


Fit the cover onto the trolley

## 5 - Mains cable

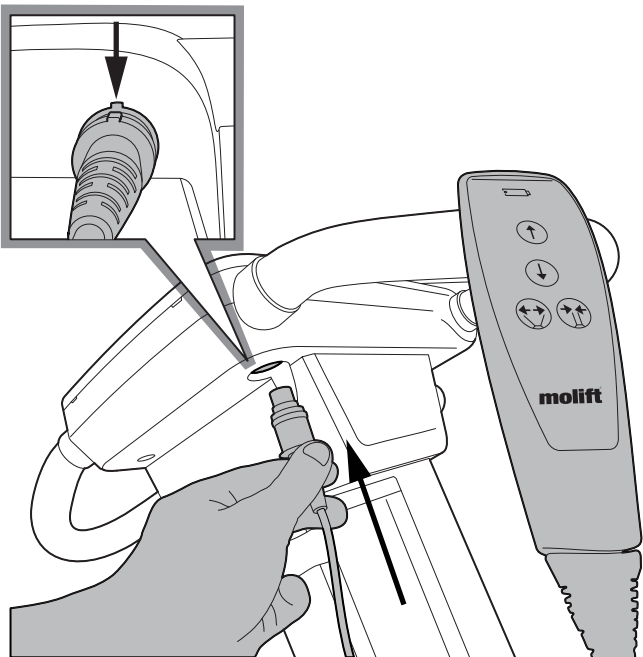


Connect the mains cable to the bottom of the battery box.



Fit the cover on to the chassis. Remember to put the tools back in place.

## 6 - Hand control



Connect the hand control to the control panel.

## Reset service indicator

If the service LED is yellow, please contact your Molift service partner regarding the necessary measures.

Service indicator will start to be yellow again when 12 months has passed and it is time for periodic inspection.



**Do not start using lifter before completing control according to checklist after assembly.**

## Checklist after assembly

Use this checklist before use to verify that the lifter is properly assembled and is safe to operate.



**After assembly, reset emergency stop by turning it clockwise. Service light should now be yellow. After completing this checklist, reset service indicator as described in the assembly instructions.**

- Make sure the leg support and lifting arm are properly fixed and that there are no loose parts on the lifter.
- Make sure that the lifting column is properly fixed to the chassis - with both screws tightened.
- Connect lifter to power outlet to make sure integrated battery charger works. Charge battery if necessary.
- Check that the lifter has no apparent damage or other faults.
- Perform one lift with load 50-100 kg  
NB! Lifter will not operate while charging.

# How to use Molift Quick Raiser 205

EN

## General Safety Precautions

Only use accessories and slings that are adjusted to fit the user, type of disability, size, weight and type of transfer.

## Working pause ratio/Duty Cycle.

Molift Quick Raiser 205 should not be run constantly for more than 2 minutes (with maximum load), and rest for minimum 18 minutes. Duty Cycle 10%. (Intermittence according to standard ISO-EN 10535)

## Safe Working Load

The lifter is marked with Safe Working Load (SWL)



If maximum load (SWL) differs between lifter suspension and body support unit, then the lowest maximum load shall always be used



Molift lifters shall only be used to lift persons. Never use the lifter to lift or move objects of any kind.

## Before use / Daily check

Inspection to be performed daily or before use:

- Make sure lifter has no visible damage, defects or deformations
- Make sure lifting arm connection, leg support, battery box and all detachable parts are properly connected and secured
- Test emergency stop button
- Check battery level and service indicator
- Make sure sling strap does not have visible damage or frays.
- Make sure wheels are rolling freely and lifter is easy to manoeuvre

- Test run lifters operation functions and make sure lifter does not make any abnormal sounds



If there are any faults or defects, the lift needs to be taken out of operation and marked "out of order"

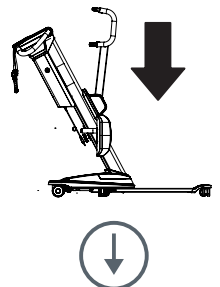
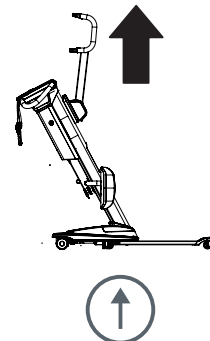
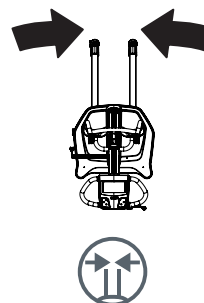
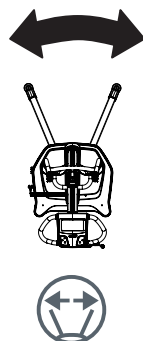
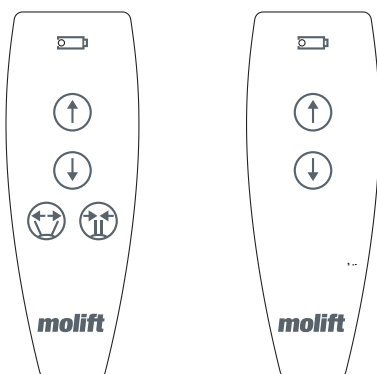
## Hand control

The hand control has 4 buttons for lifting and lowering of lifting arm and leg spread mechanism in and out.

The hand control has an indicator light that will illuminate when battery level is low and the lifter requires charging

Hand control 4 buttons: Art. no. 2910010

Hand control 2 buttons: Art. no. 2910011



## Lifting Arm - Up / Down

NB! The lifter is most unstable in top position.

## Legs - In / Out

NB! Spreaded legs gives increased stability and better access to chair or toilet.

EN

# How to use Molift Quick Raiser 205

## Safety devices

Molift Quick Raiser 205 is equipped with several safety devices, which are intended to prevent injury to personnel or damage to the equipment in the case of incorrect use or failure

The lifter has an overload sensor preventing the lifter to be operated if the load exceeds SWL.

The suspension is hinged to prevent the arm and suspension from squeezing the user.

## Steering handles

Use the steering handles to move the lifter.

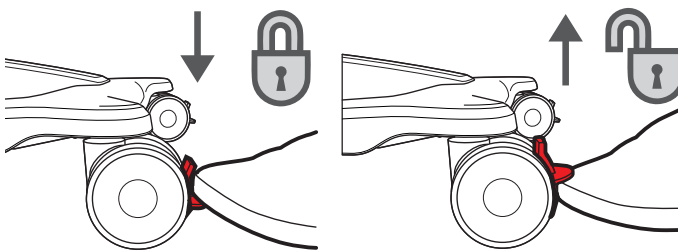


**Do not push or pull the user, lifting column or lifting arm. This may cause stability problems and lifter may tip over.**

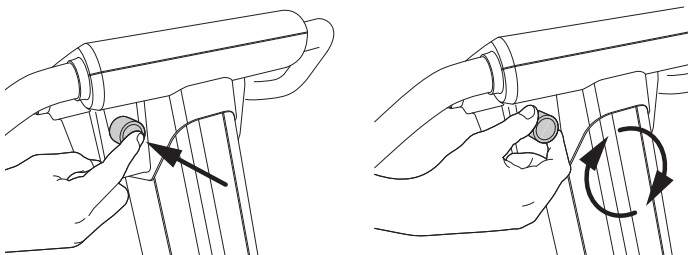
The lifter shall only be used for transfer over short distances. It is not a replacement for wheelchair or similar.

## Brakes

Rear wheels/castors are equipped with kick brakes. Step on the break to lock brakes. Push up or kick on top part of the brake to unlock.

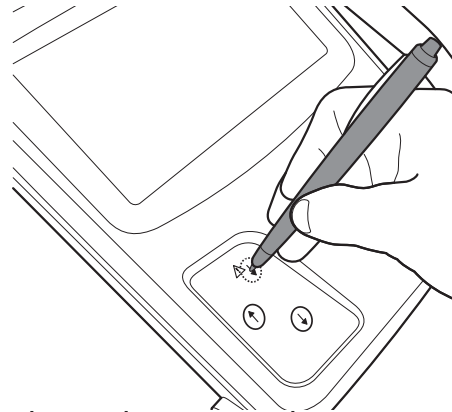


## Emergency stop / Emergency lowering



### Emergency Stop

The emergency stop shuts off the power when pushed in. Turn clockwise to reset.

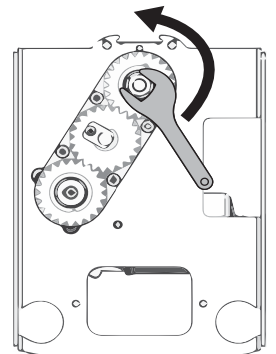
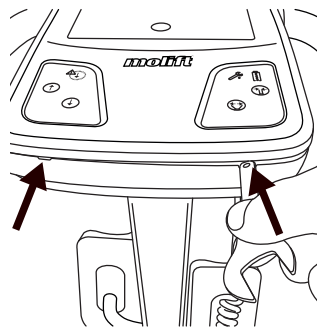


### Electrical emergency lowering

Use a pen or sharp object to push and hold button for electrical emergency lowering to lower suspension. The electrical emergency lowering function does not work when the emergency stop is activated.



**Only use the electrical emergency lowering if no other button works.**



### Manual Emergency lowering

Use the wrench located in the bottom cover to flip the control panel cover off at the two points.



**Push in the emergency stop button before removing the cover. Rotating parts represents a squeezing hazard!**

Use the 17mm spanner and turn ball screw counter clockwise until the user is safely lowered. The manual emergency lowering function should only be used when the electrical emergency lowering does not work.



**If emergency lowering is used, mark the lifter "out of order" and order service!**

# Electronics

EN


## Transport and operating conditions

### Transport and Storage

For long time storage it is recommended that the emergency stop button is activated (pushed in). The lifter can be stored and transported under temperatures between -25 - 70 °C.

### Operating


The lifter is designed for use at standard room temperatures (+5 to +40°C).  
 Air Pressure: 70 - 106 kPa  
 Relative Humidity: 15 - 93 %  
 Storage or transport at other temperatures leave the lifter in a room with a suitable temperature until it reaches a safe operating temperature.




**Medical electrical equipment requires special precautions regarding electromagnetic compatibility (EMC).** Portable or mobile radio communication equipment may affect the medical electrical equipment, and should be kept minimum 25 cm (10 inches) from the lifters electronics.

## Battery

Molift Quick Raiser 205 is available with a 24V SLA battery or a 25.6V LiFePO4 battery - both with an integrated charger.  
 The SLA battery has a life expectancy of approx. 500 charge cycles.  
 The LiFePO4 battery has a life expectancy of approx. 2000 charge cycles.





**Recharge battery upon receipt, and then every six months, to avoid battery failure.**



**Batteries must be disposed of as special waste according to local rules and regulations. Do not dispose in general waste**






## Battery and Service indicator

	Wrench symbol / Service indicator
	Battery symbol / Battery indicator

The electrical system has a power-save function which will turn off the electrical system five minutes after last operation. All indicators will turn off. The system is activated when pushing one of the operating buttons

### Battery indicator on control panel

When the multi level battery indicator is yellow the lifter will have sufficient power available for one full lifting cycle with max load. When battery is flashing yellow it is only possible to lower the lifting arm.

<i>Battery indicator</i>		<i>Battery level</i>
	Green	80% or more
	Green	80 - 60%
	Green	60 - 40%
	Green	40 - 20%
	Yellow or yellow blinking	20% or less (recharge lifter)

**Service indicator**

The lifters electronics record the weight lifted and number of lifts. After a certain period of operation a signal is given to indicate that service is required.

**Service indicator (from 01.01.2018)**

<i>Service light</i>	<i>Mode</i>
No light	No service needed
Green flashing	Order service
Yellow	Periodic inspection required
Red	Perform service

**Service indicator (up until 31.12.2017)**

<i>Service light</i>	<i>Mode</i>
No light	No service needed
Yellow	Order service
Yellow flashing	Periodic inspection required
Red	Perform service



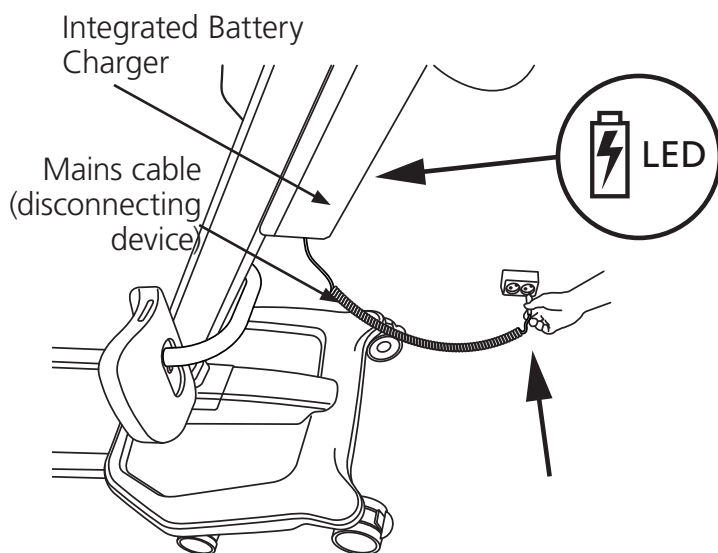
Do not position lifter in a way that makes it difficult to disconnect mains cable



Do not charge the lifter in a bathroom or in any room with wet surfaces!



Remove the main cable from the wall socket outlet before moving the lifter

**Charging**


The lifter has an integrated charger. Park the lifter and connect to a wall socket to charge the battery. A LED-light on the back of the battery box will be red while charging. The LED-light on the battery box will show a steady green color when lifter is fully charged. While charging the LED-lights on the control panel will flash every 10 seconds.

# Transfer EN


Plan the lifting operation in advance to ensure that it is as safe and smooth as possible. Remember to work ergonomically. Assess the risks and take notes. The assistant is responsible for the safety of the user.

## Using Slings

It is important that the sling has been tested with the individual user and for the intended lifting situation.



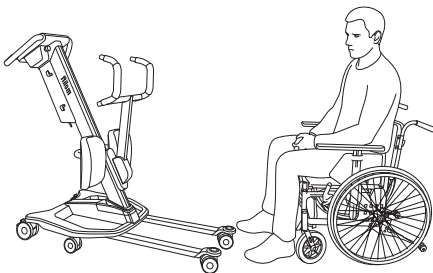
**Read User Manual for the sling prior to use.**




**Do not to use damaged or badly worn slings.**

**Slings made by other manufacturers**  
 Only use Molift slings. Etac shall not be liable for faults or accidents that can occur when using slings made by other manufacturers.

## Adjusting leg support

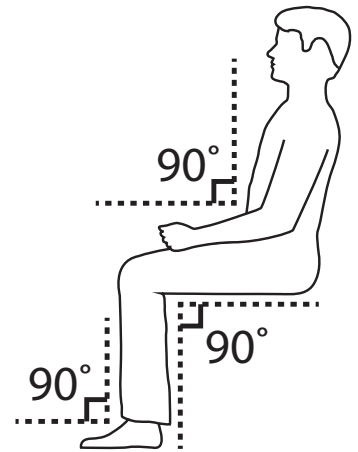
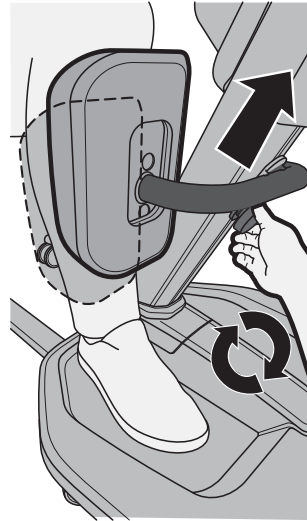



Move the Quick Raiser 205 in front of the user. Place the feet on the footplate. If necessary - help the user to place the feet correctly. Lock the wheels on the lifter before lifting the user. The optimal angle of the users joints before lifting is 90 degrees.



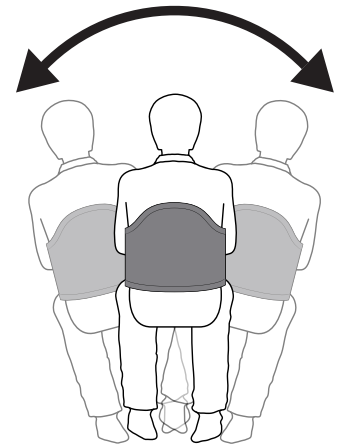
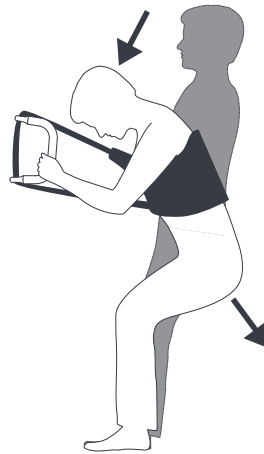
**Make sure the height of the leg support are adjusted to fit the individual users anatomy. The top of the cushions should be 2 cm under the users knee**

Use the turning knob to adjust the leg support higher or lower if necessary.



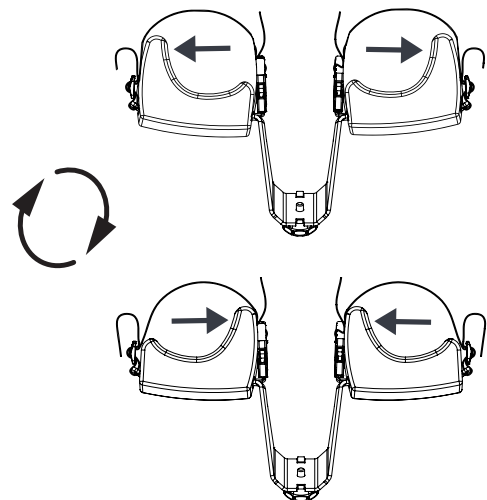


**Make sure the user is not hanging forward or swinging to the sides under and before lifting or lowering the user.**



## Alternative leg support with straps

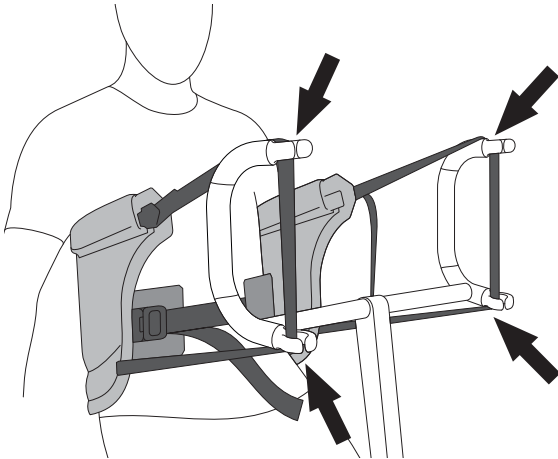
The alternative leg support with straps can be removed and turned 180 degrees to increase support on both inside or outside of the users legs.



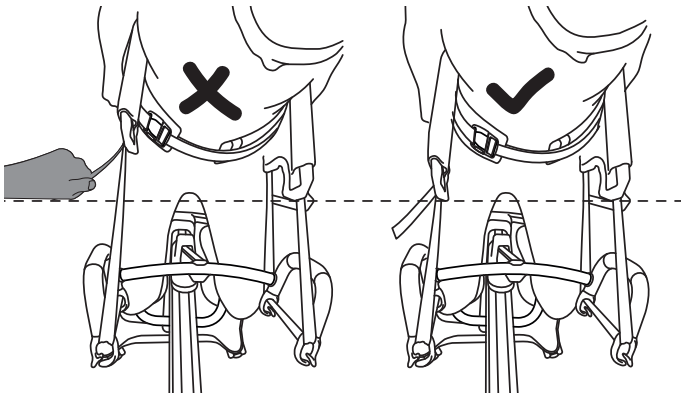
EN

# Transfer

## Using a 4-point suspension



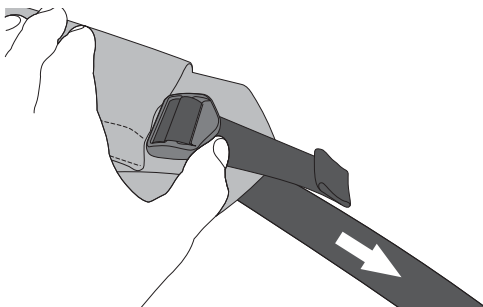
Fasten the sling to the lifting arm by guiding the strap into all 4 hooks.



Pull the loose strap to adjust the length of the straps. Make sure both sides have equal length.

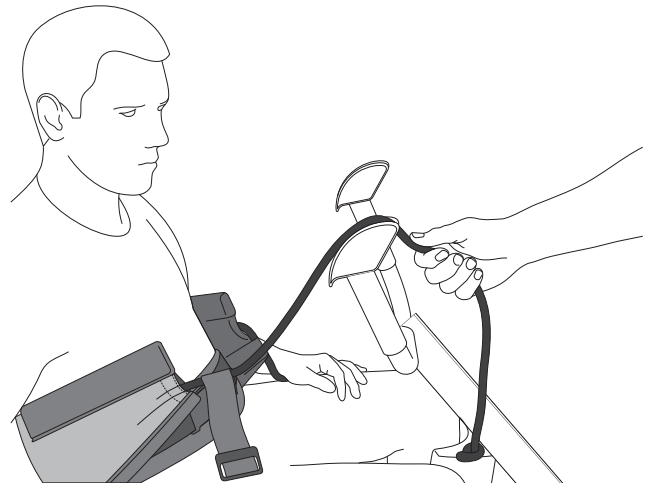
The patient's weight ensures that the strap locks into the lifting arm. The user must lean back slightly when lifting, and if possible hold onto the handles.

### Removing sling



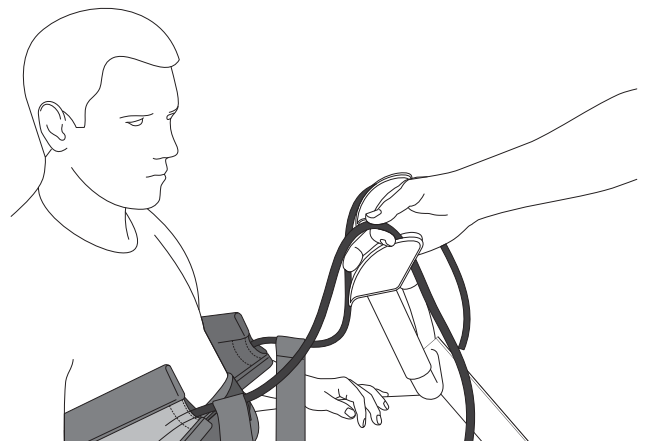
Loosen the straps again by angling the buckle and pulling the strap out.

## Using a 2-point suspension



On the 2-point suspension arm the ropes is attached to the lifting arm by pulling them firmly from above and into the rope locks.

### Removing sling



Release the band by sliding your fingers along the rope away from the patient.



RgoSling Active can only be used with the 4-point suspension.  
RgoSling Stand Up can only be used with the 2-point suspension.

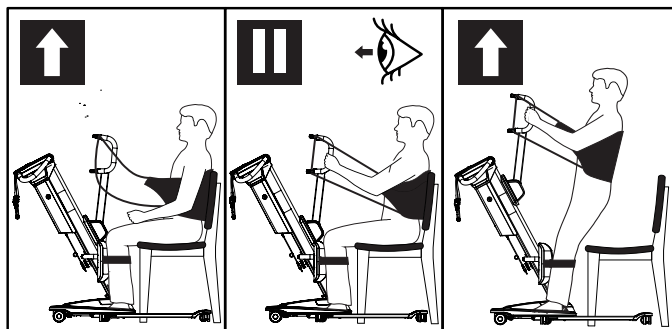
# Transfer

EN

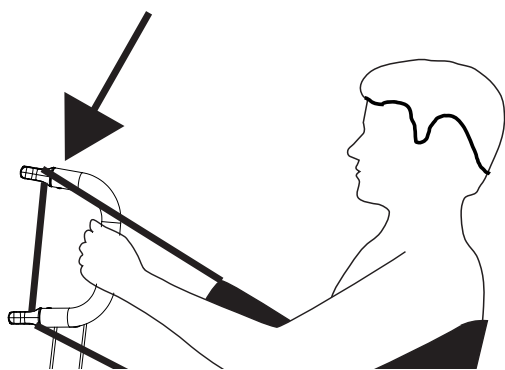
## Raising/Lowering

When moving the user, stand to the side of the person you are lifting. Make sure that arms and legs do not obstruct the seat, bed, etc. Keep eye contact with the user to help them feel safe.

If possible: Extend the width of the wheel base prior to lifting using the button for base width adjustment on the Hand control.



1. Check that the sling is correctly fitted around the user and that the strap loops are correctly fitted to the suspension hooks.
2. Make sure user has both feet placed firmly on the footplate on the lifter.
3. Stretch the sling straps without lifting the user. Ensure that both loops of the sling are securely fastened to avoid the user slipping or falling.
4. Make sure the buckle is properly fastened
5. Lift user to standing position, and tighten and adjust the sling if necessary.

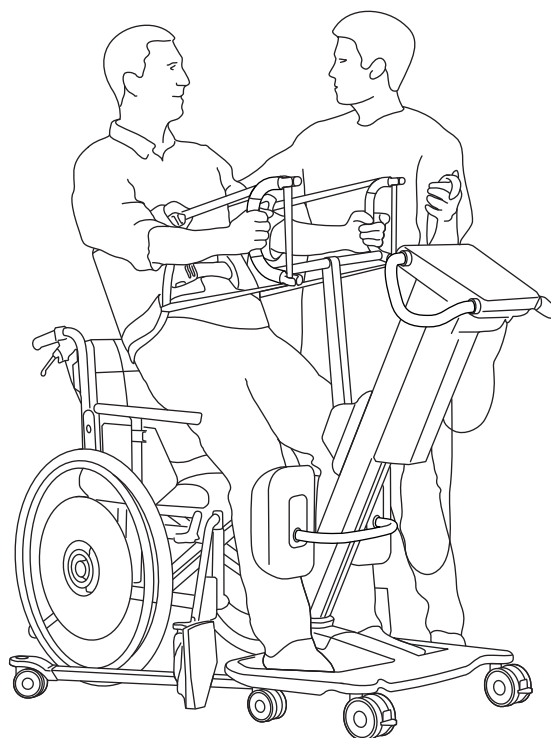


**Make sure the users hands are placed correctly to avoid that the lifting straps are squeezing the users hands and fingers.**

NB! The wheels of the object the user is being lifted from or into must be in the locked position.

## Transfer

Raise the patient carefully until the buttocks are clear from the seating and tighten the belt. Unlock the wheels on the lifter and move the patient to the next location.



Be careful during movement not to run into furniture, walls, doors etc.



**The lifter shall not be used to lift or move users on sloping surfaces**

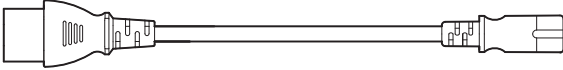
Avoid deep pile carpets, high thresholds, uneven surfaces or other obstacles that may block the castors. The lifter may become unstable if forced over such obstacles increasing the risk of tipping over.

The lifter shall only be used for movement over short distances. It is not a replacement for wheelchair or similar.

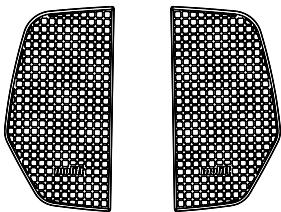
(Recommended) optional equipment and accessories for Molift Quick Raiser 205.

Accessories

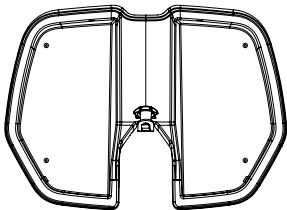
Extension for power cord  
Art. no.: 2920117



Set of inlay for footplate  
Art. no.: 2920151



Footboard  
Art. no.: 2910065



Alternative leg support with straps:

Complete kit with bracket and large cushions

Art.no.: 2910056

Set of large cushions

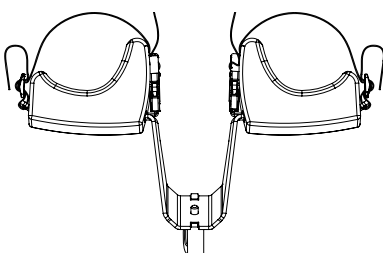
Art.no.: 2910077

Complete kit with bracket and small cushions

Art.no.: 2910059

Set of small cushions

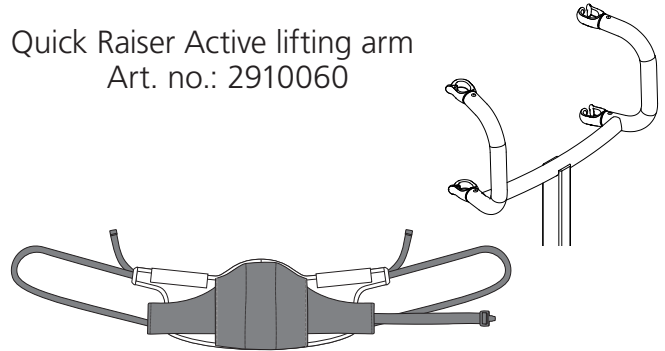
Art.no.: 2910076



Lifting arms and slings

4-point suspension:

Quick Raiser Active lifting arm  
Art. no.: 2910060



Rgosling Active

Art. no.: 1720910 Size XS

Art. no.: 1720920 Size S

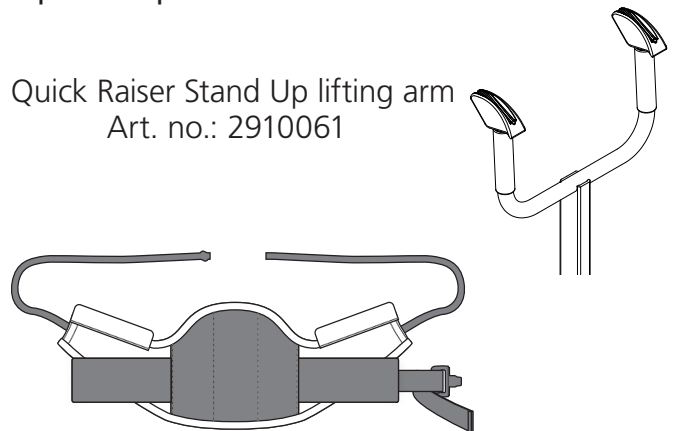
Art. no.: 1720930 Size M

Art. no.: 1720940 Size L

Art. no.: 1720950 Size XL

2-point suspension:

Quick Raiser Stand Up lifting arm  
Art. no.: 2910061



Rgosling Stand Up

Art. no.: 1720710 Size XS

Art. no.: 1720720 Size S

Art. no.: 1720730 Size M

Art. no.: 1720740 Size L

Art. no.: 1720750 Size XL

Rgosling Stand Up Padded

Art. no.: 1720810 Size XS

Art. no.: 1720820 Size S

Art. no.: 1720830 Size M

Art. no.: 1720840 Size L

Art. no.: 1720850 Size XL

## Maintenance

EN

### Cleaning and disinfection

Clean on a regular basis. Clean surfaces with a damp cloth using an appropriate pH-neutral detergent. Do not use solvents or strong liquids, this may damage surfaces on the lifter. For disinfection when needed; use isopropyl alcohol. Avoid abrasive cleaning products.

- Remove lifting arm cover to clean underneath
- If necessary, remove the knee cushion and clean it with running water
- Remove hair and pile from the castors and verify that the castors rotates freely.

Clean contact and hand control with isopropyl alcohol to remove grease and dirt if necessary. Check emergency stop after cleaning. The lift should not be exposed to running water.



**Make sure not to damage or remove labels when cleaning.**

### Reconditioning

Follow cleaning and assembly procedure, complete periodic inspection and use checklist after assembly to recondition the lifter.

### Recycling

Refer to "Recycling instructions" for how to properly dispose of product. See [www.etac.com](http://www.etac.com).

### Spare Parts

A list of spare parts is available on request.

## Periodic Inspection

### Periodic Inspection Scope

Periodic inspection is a visual examination (particularly of the lifter's load bearing structure and lifting mechanism with attachments, brakes, controls, safety devices and person-support devices) according to Periodic Inspection Report for Molift Quick Raiser 205.

See [www.etac.com](http://www.etac.com).



**If there is any problems with the lifter that could jeopardize someones safety, the lifter shall immediately be taken out of service and marked "out of order". Do not use the lifter until it is repaired.**

Periodic Inspection shall be performed at least once a year or more frequently if required by local requirements. The inspection must be performed by service personnel authorized by Etac. Contact Etac at [molift@etac.com](mailto:molift@etac.com) for training and authorization or recommendation of an approved service partner.

When performing a periodic inspection, the inspector shall fill out the inspection report for Molift Quick Raiser 205. The reports should be retained by the person(s) responsible for servicing the lifter. If the inspection reveals defects and damages, the lifter shall be taken out of operation and marked "out of order" until it is repaired. After performing periodic inspection reset the service indicator, see page 11

EN

## Troubleshooting

Symptom	Possible Cause/Action
The lifting column is wobbly	Locking bolts are not properly secured or lifting column is not properly in place in the chassis / check if the column is correctly placed in the chassis and/or tighten bolts
Lifter only moves one way (up or down) / legs only moves one way (in or out)	Fault on hand control / exchange with alternative control from other lifter and/or new hand control
	The electronics has failed / contact your local service representative
The lifter moves up and/or down by itself / legs move by themselves	Short circuit between the hand control and lifter / clean the connectors of the hand control and chassis with spirits to remove grease and dirt
	The hand control has failed/ exchange hand control / contact your local service representative
	Relays/electronics malfunctions / exchange electronics/relays / contact your local service representative
The lifting arm does not move / legs does not move	Discharged battery / charge battery
	Emergency stop activated / turn clock wise to reset
	Hand control disconnected / reconnect hand control
	The hand control has failed/ exchange hand control / contact your local service representative
	Electronics malfunctions / contact your local service representative
	Motor has failed / contact your local service representative
	Check contact between column and chassis

## Svensk Handbok

SV

## Innehåll

Molift Quick Raiser 205 .....	22
Komponenter .....	22
Om Molift Quick Raiser 205 .....	22
Allmänt .....	23
CE-märkning .....	23
Villkor för användning .....	23
Modificeringar och användning av komponenter från andra tillverkare.....	23
Garanti .....	23
Produktidentifiering .....	23
Tekniska data Quick Raiser 205.....	24
Monteringsanvisning .....	25
Före montering .....	25
1 - Batteri .....	25
2 - Benstöd.....	26
3 - Lyftpelare och chassi.....	26
4 - Lyftarm .....	27
5 - Nätkabel .....	27
6 - Handkontroll .....	28
Checklista efter montering .....	28
Återställa servicelampan.....	28
Så här använder du Molift Quick Raiser 205..	29
Före användning/daglig kontroll .....	29
Handkontroll.....	29
Säkerhetsanordningar .....	30
Styrhandtag.....	30
Bromsar.....	30
Nödstopp/nödsänkning.....	30
Elektronik.....	31
Transport- och användningsförhållanden	31
Batteri .....	31
Batteri- och serviceindikator .....	31
Laddning .....	32
Förflyttning .....	33
Användning av sele.....	33
Justering av knästödet .....	33
Alternativt benstöd med band.....	33
Använda en 4-punkts lyftbygel .....	34
Använda en 2-punkts lyftbygel.....	34
Lyfta/sänka .....	35
Förflyttning .....	35
Tillbehör.....	36
Tillbehör .....	36
Lyftarmar och selar .....	36
Underhåll .....	37
Rengöring och desinfektion.....	37
Rekonditionering .....	37
Återvinning.....	37
Reservdelar .....	37
Periodisk inspektion.....	37
Omfattning på periodisk inspektion.....	37
Felsökning.....	38

## Viktigt

Denna handbok innehåller viktiga säkerhetsanvisningar och information om hur lyften och dess tillbehör ska användas.

I den här handboken är brukaren den person som lyfts.

Assistenten är den person som hanterar och styr lyften.

**Varning!**

Denna symbol indikerar särskilt viktig säkerhetsinformation. Följ dessa anvisningar noga.

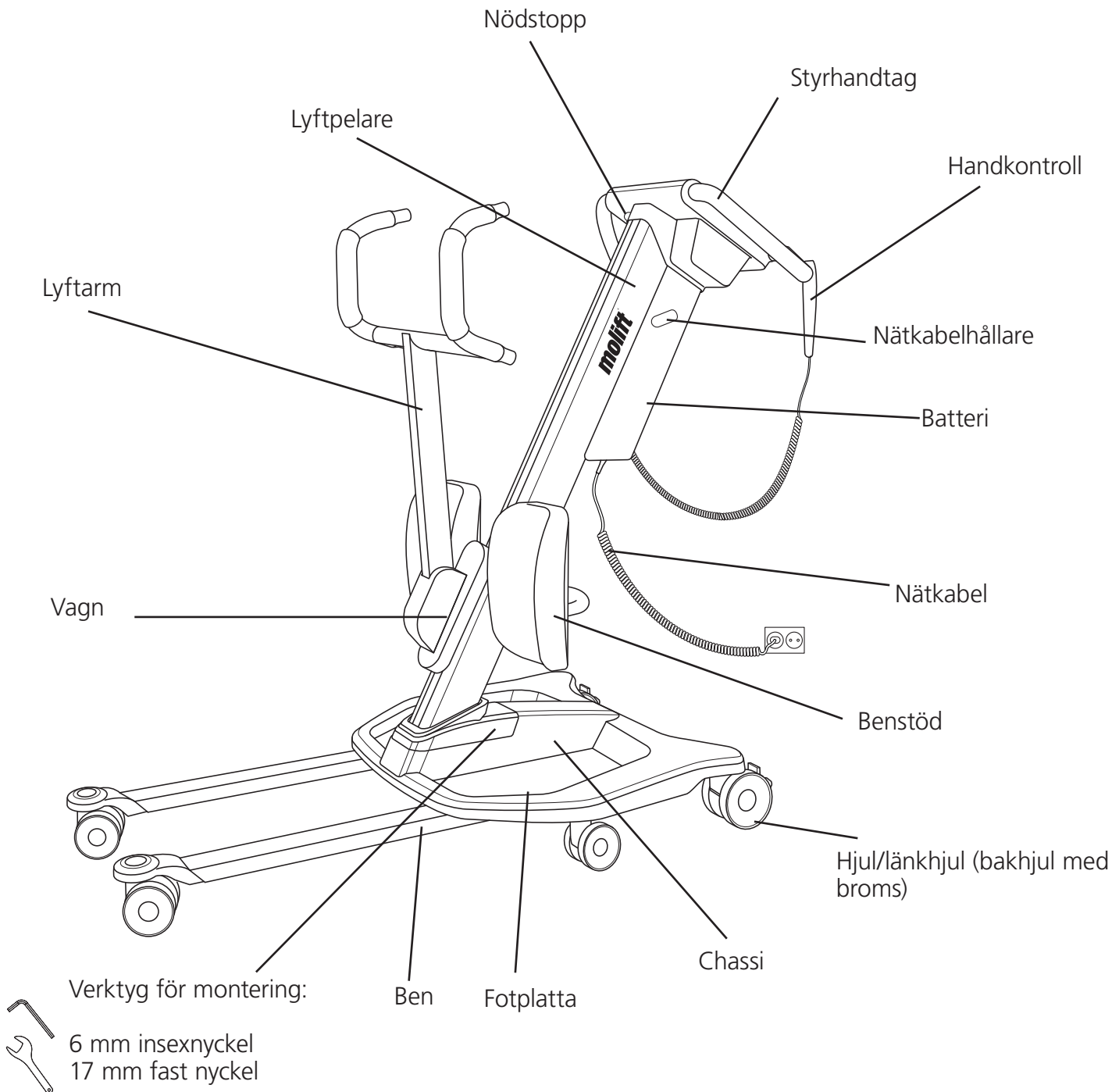


Läs igenom manualen innan du börjar använda lyften!  
Det är viktigt att du förstår innehållet i handboken fullt ut innan du försöker använda utrustningen.

Ladda ned dokumentation på [www.etac.com](http://www.etac.com) så att du garanterat har den senaste versionen.

*Tillverkardeklaration finns i den tekniska handboken för Molift Quick Raiser (TM13001)*

## Komponenter:



## Om Molift Quick Raiser 205

Molift Quick Raiser 205 används för att lyfta och transportera personer från/till en stol, rullstol eller toalett med hjälp av en sele. Molift Quick Raiser 205 är lämplig för brukare som kan följa instruktioner, som har god stabilitet i överkroppen och som kan belasta och stödja på minst ett ben, men som behöver hjälp när de står upp. Lyftens form och rörelser är utformade för att efterlikna det naturliga rörelsemönstret hos människan. Lyftan är tillverkad i lättviktsmaterial, har hjul och elmotor

och är batteridrivna. Lyftan drivs med hjälp av handkontrollen eller kontrollpanelen på lyftan. Den har elektriskt ställbara ben och en lyftkapacitet på 205 kg (451 lbs)

Lyftan lämpar sig utmärkt för vårdinrättningar men kan även användas i privatbostäder och på vårdhem. Lyftan får endast användas för korta förflyttningar, till exempel mellan stolen och sängen eller till badrummet/dagrummet och ersätter inte rullstol eller liknande.

## Allmänt

SV



## CE-märkning

Produkten och de tillbehör som beskrivs i denna bruksanvisning överensstämmer med förordning (EU) 2017/745 av den 5 april 2017 som medicinteknisk produkt, riskklass I. Produkten har testats och godkänts av tredje part i enlighet med standarderna IEC 60601-1, IEC 60601-1-2 och EN/ISO 10535:2021.

Alla allvarliga incidenter som inträffar och som är relaterade till produkten ska rapporteras till tillverkaren och den behöriga myndigheten i det medlemsland där användaren och/eller patienten bor.

## Villkor för användning

Lyft och flyttning av en person medför alltid vissa risker. Endast utbildad personal får använda den utrustning och de tillbehör som beskrivs i denna handbok.

## Modificeringar och användning av komponenter från andra tillverkare.

Vi rekommenderar att endast komponenter och reservdelar för Etac Molift används. Försäkran om överensstämmelse är inte giltig och Etac tar inget garantiansvar om modifieringar har utförts på produkten. Etac tar inget ansvar för fel eller olyckor som kan inträffa om komponenter från andra tillverkare används.



Endast behörig personal har rätt att öppna lyften eller något av dess tillbehör för att utföra underhåll eller reparationer. Risk för skador från roterande delar och elstötar.



Lyften får inte styras och hanteras av den person som lyfts.

## Garantimeddelande

Två års garanti mot defekter i utförande och material i våra produkter.

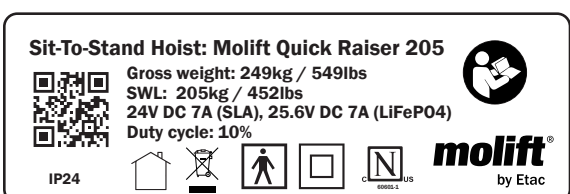
Ett års garanti på batterier.

Se [www.etac.com](http://www.etac.com) för villkor.

## Produktidentifiering

## Produktetikett/GS1-128

På streckkoden på etiketten anges EAN-nummer, serienummer och tillverkningsdatum.



Anbringad del av typ BF



CE-märkt



Se användarhandbok



Endast för inomhusbruk



Får ej kasseras i hushållssoporna



Nödsänkning



Service-lampa



Batteriindikator.



Laddningsindikator



Symbol för dubbelisolering



Tillverkare



Tillverkningsdatum



Katalognummer



Serienummer



Medicinteknisk produkt

## Varningsetiketter och symboler

Närmare beskrivning av de symboler som finns på produkten:

**Maximalt tillåten belastning:**

205 kg (451 lbs)

**Enhetens vikt:**

Enhetens totalvikt: 44,5 kg/98 lbs

Chassi: 17 kg/37,5 lbs

Lyftpelare: 19 kg/41,9 lbs

Benstöd: 3,5 kg/7,7 lbs

4-punkts lyftarm: 5 kg/11 lbs

**Batteri:**

SLA 24 V 2,9 Ah

LiFePO4 25,6 V 2,4 Ah

**Batteriladdare:**Ineffekt: 100–240 VAC, 50–60 Hz,  
max 0,35 A

Uteffekt: 29,4 VDC, 0,5 A

**Batteriladdningstid:**

5 timmar

**Angivna prestanda:**

100 lyft vid: 75 kg och 500 mm

**Lyfthastighet:**35 mm/sekund (1,4 tum/sekund)  
med 75 kg (165 lbs) belastning**Kapslingsklass:**

IP24 (komplett lyft)

Föremålet, sfärisk sond på 12,5 mm Ø,  
får inte penetrera helt. Vattenstänk som  
träffar kapslingen från något håll får inte ha  
negativ inverkan.**Tryckkraft för knapp:**

Knappar på kontrollpanel: &lt; 5 N

Knappar på handkontroll: &lt; 5 N

**Material:**

Aluminium, plast, stål

**Motor:**

Lyftmotor: 24 VDC

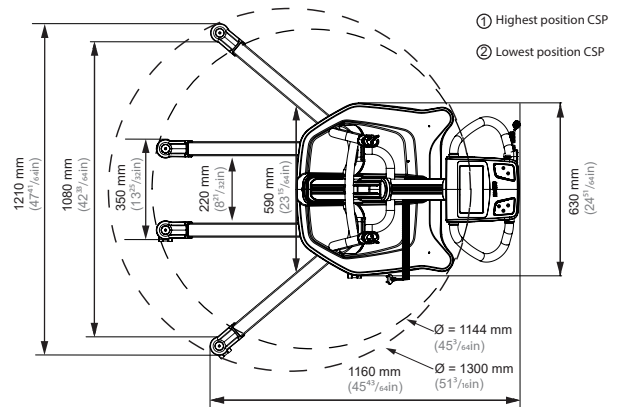
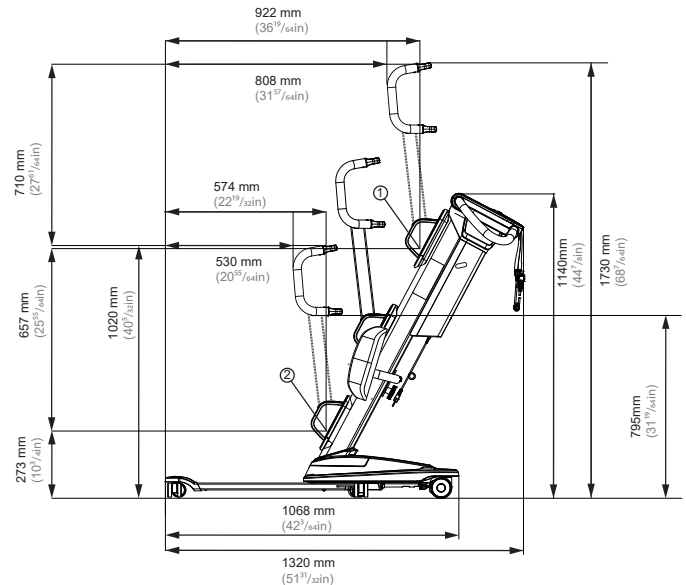
Motor för benutfällning: 24 VDC

**Vänddiameter:**1144 mm / 1300 mm  
(45<sup>3</sup>/<sub>64</sub> tum) / (51<sup>3</sup>/<sub>16</sub> tum)**Förväntad livslängd:**Lyften och dess tillbehör har en förväntad  
livslängd på 30 000 cykler eller 10 år.**Anbringade delar:**

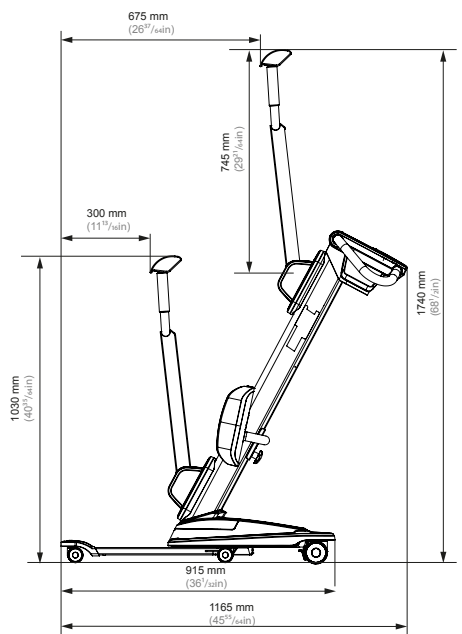
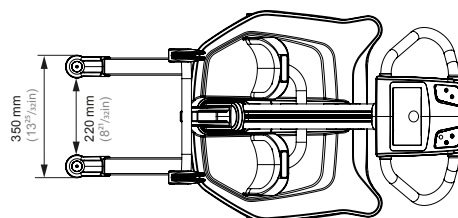
Sling

Fotstöd

Handtag



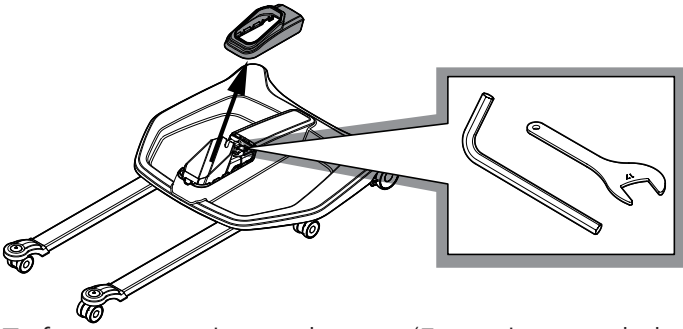
Measurements, QuickRaiser 205 with fixed legs:



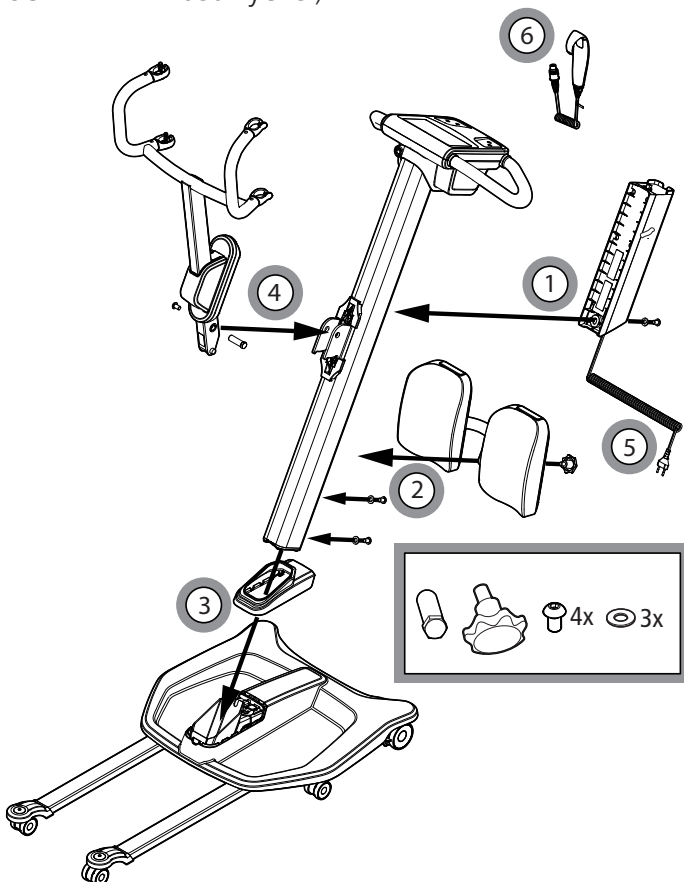
# Monteringsanvisning

**SV**

## Före montering



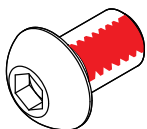
Ta fram monteringsverktygen (5 mm insexnyckel och 17 mm fast nyckel)



1. Batteri
2. Benstöd
3. Pelare i chassi
4. Lyftarm
5. Nätkabel
6. Handkontroll

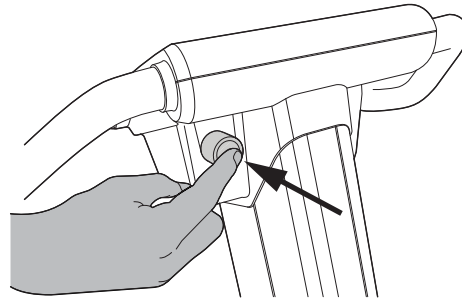


Endast utbildad personal får montera lyften

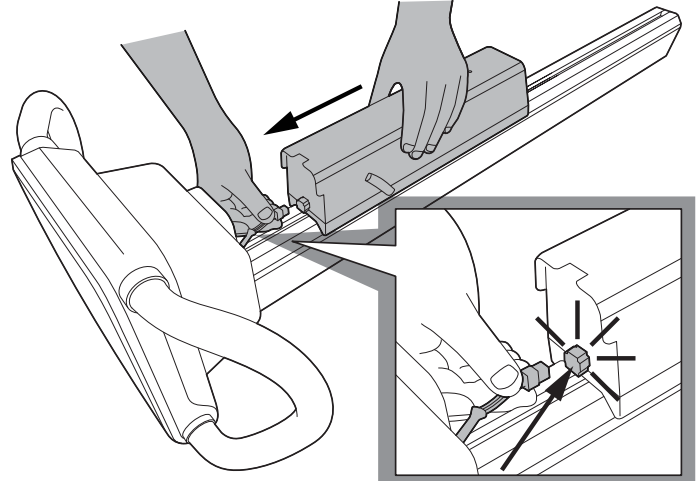


Alla skruvar på vilka gänglåsning redan har applicerats bör endast användas en gång. Reservdel art. nr 2920075

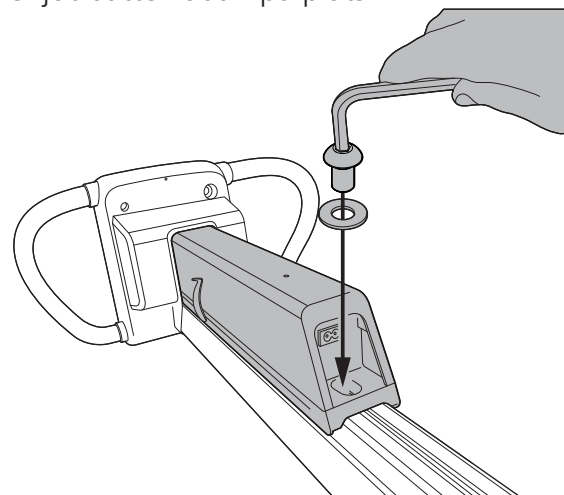
## 1 - Batteri



Tryck in nödstoppsknappen före montering



Placera lyftpelaren på en horisontell yta. Kontrollera att nödstoppsknappen är intryckt. Anslut kabeln från kontrollpanelen till batterilådan. Skjut batterilådan på plats.

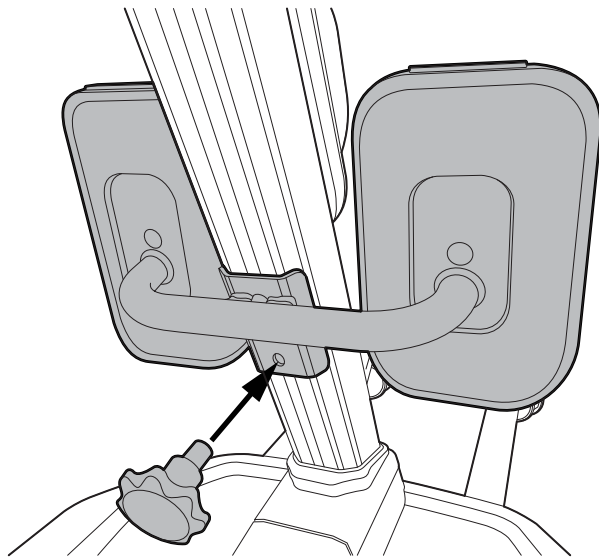


Använd insexnyckeln för att dra åt skruven i medurs riktning. Obs! Kom ihåg att använda brickan.

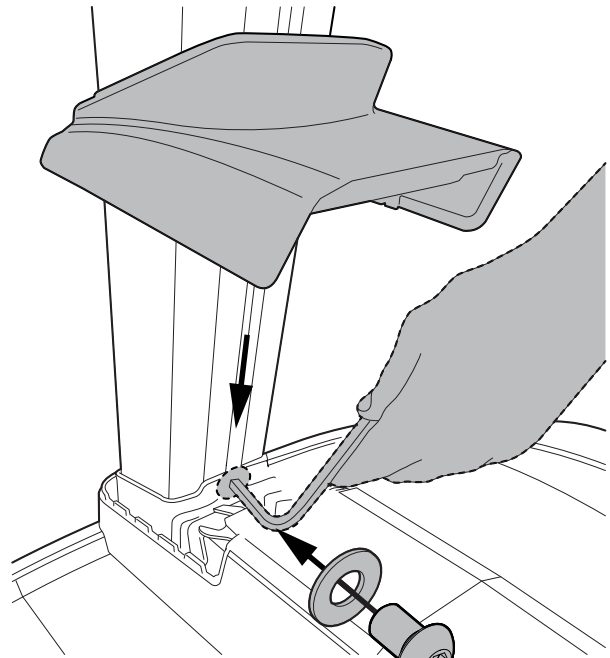


Kontrollera att batteriet är ordentligt fäst innan du monterar pelaren i chassit

2 - Benstöd

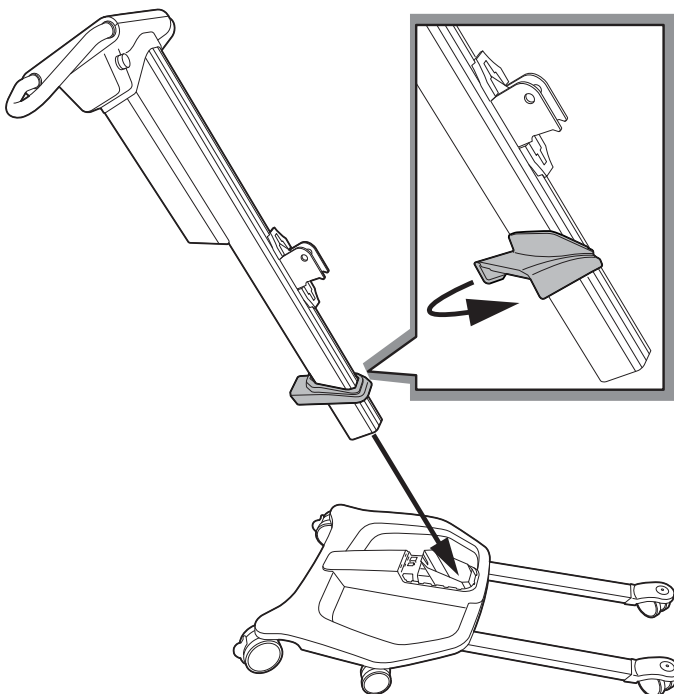


Montera benstödsfästet.

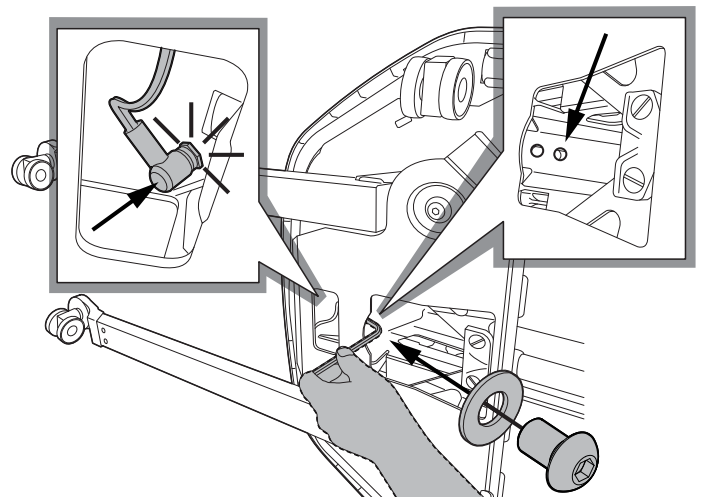


Montera skruven med brickan på pelaren. Skjut skruven ned mot chassit och dra åt skruven.

3 - Lyftpelare och chassi



Sätt fast skyddet på lyftpelaren. Vrid skyddet i sidled så att det sitter kvar på pelaren. Sätt i lyftpelaren i chassit.



Lägg lyften på sidan. För in skruven med brickan i det övre hålet och dra åt skruven. Anslut kabeln mellan pelaren och chassit.  
(Obs! Kabeln kan INTE användas på Molift Quick Raiser 205 FL-versionen)

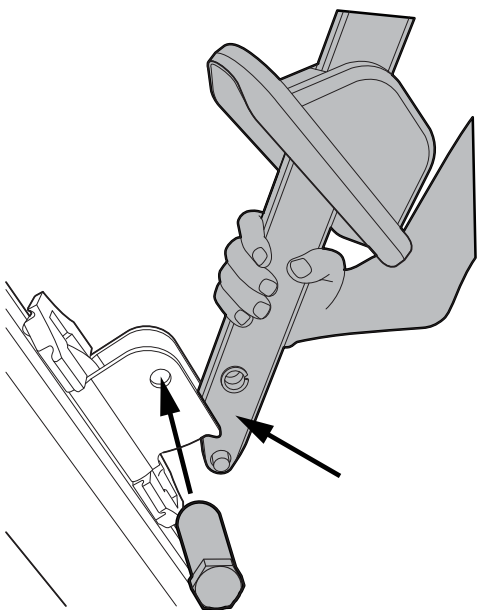


Skruvorna ser till att pelaren inte kan dras uppåt. Använd inte lyften om inte båda skruvarna är ordentligt åtdragna.

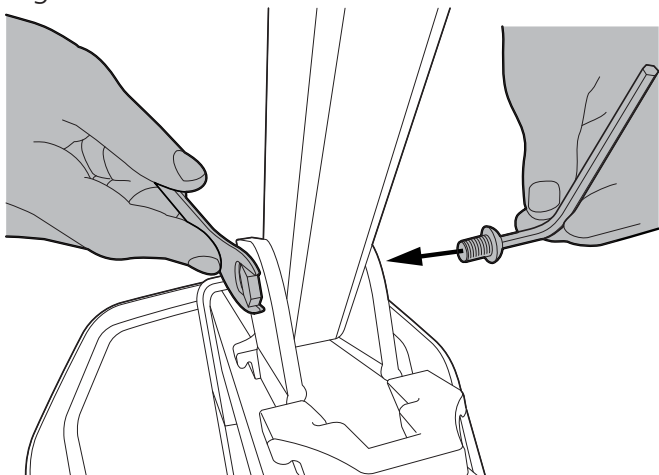
# Monteringsanvisning

**SV**

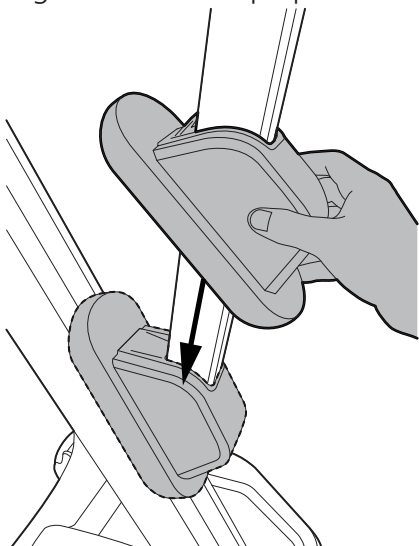
## 4 - Lyftarm



Sätt fast skyddet på lyftarmen. Placera lyftarmen i vagnen och sätt i bulten.

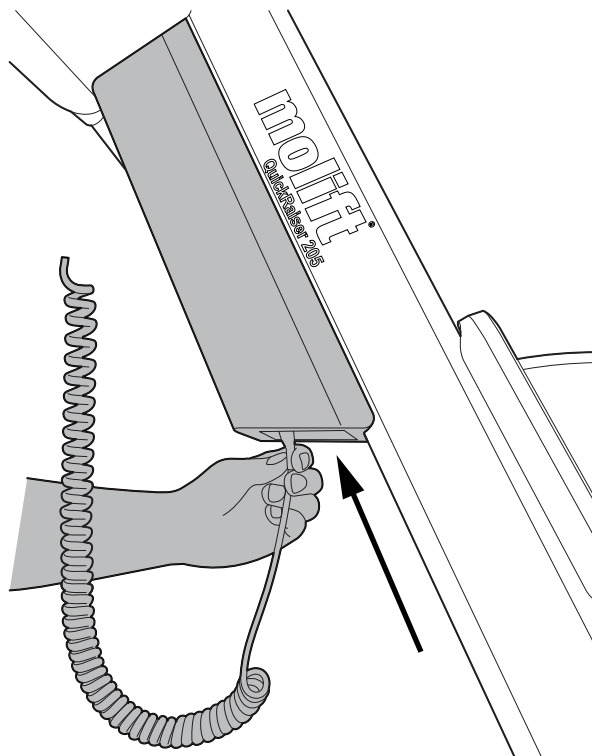


Sätt i bulten och dra åt skruven med hjälp av den 17 mm fasta nyckeln och en 6 mm insexnyckel. Kontrollera att lyftarmen är ordentligt fäst vid vagnen som sitter på pelaren.

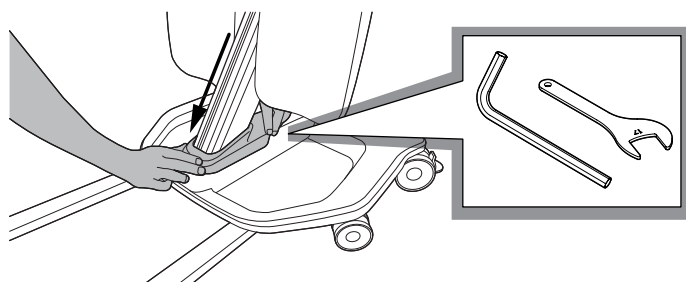


Sätt fast skyddet på vagnen

## 5 - Nätkabel

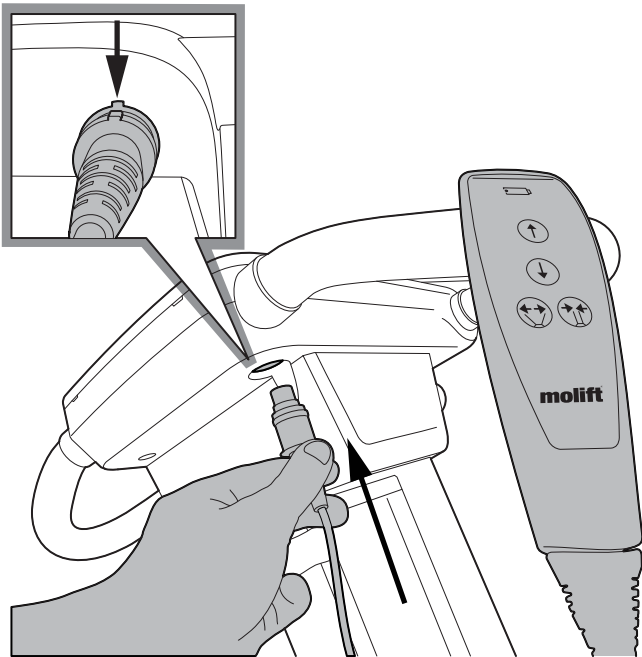


Anslut nätkabeln till undersidan av batterilådan.



Sätt fast skyddet på chassit. Kom ihåg att sätta tillbaka verktygen.

## 6 - Handkontroll



Anslut handkontrollen till kontrollpanelen.

## Återställa servicelampan

Om servicelysdioden lyser gult, kontakta din Molift-servicepartner rörande nödvändiga åtgärder.

Servicelampan börjar lysa gult på nytt efter 12 månader, då det är dags för periodisk inspektion.



Börja inte använda lyften efter monteringen innan fullständig kontroll enligt checklistan har gjorts.

## Checklista efter montering

Använd denna checklista för att verifiera att lyften är rätt monterad och fungerar säkert innan den används.



När monteringen är slutförd återställer du nödstoppet genom att vrida det medurs. Servicelampan bör nu lysa gult. När du har gått igenom hela denna checklista återställer du servicelampan på det sätt som beskrivs i monteringsanvisningarna.

- Kontrollera att benstödet och lyftarmen är korrekt fästa och att det inte finns några lösa delar på lyften.
- Säkerställ att lyftpelaren är korrekt fäst vid chassit – med båda skruvarna åtdragna.
- Anslut lyften till ett eluttag för att säkerställa att den inbyggda batteriladdaren fungerar. Ladda batteriet om det behövs.
- Kontrollera att lyften inte har några synliga skador eller andra fel.
- Utför ett lyft med belastning 50–100 kg  
Obs! Lyften kan inte användas under laddning.

# Så här använder du Molift Quick Raiser 205

SV

## Allmänna säkerhetsåtgärder

Använd endast tillbehör och selar som är justerade för att passa brukaren, typen av funktionshinder, kroppstorleken, vikten och typen av flyttning.

## Pausfrekvens/pulslängd

Molift Quick Raiser 205 får inte köras konstant i mer än 2 minuter (vid maximal belastning) och varje paus ska vara minst 18 minuter lång. Pulslängd 10 %. (Intermittens enligt standarden SS-EN ISO 10535)

## Maximalt tillåten belastning

Lyften är märkt med maximal tillåten belastning (SWL)



Om den maximala belastningen (SWL) är olika för lyftbygeln och selen eller annat lyfttillbehör ska alltid den lägsta maxbelastningen användas.



Molift-lyften får endast användas för att lyfta personer. Använd aldrig lyften för att lyfta eller flytta någon typ av föremål.

## Före användning/daglig kontroll

Följande inspektion ska utföras dagligen eller före användning:

- Kontrollera att lyften inte har synliga skador, defekter eller deformationer
- Kontrollera att lyftarmen, benstödet, batterilådan och alla löstagbara delar är rätt monterade och sitter fast ordentligt
- Testa nödstoppknappen
- Kontrollera batterinivå- och serviceindikatorn
- Kontrollera att selens band inte har några synliga skador eller har fransat sig

- Kontrollera att hjulen rullar fritt och att lyften är lätt att manövrera
- Provkör lyftens manöverfunktioner och kontrollera att inga onormala ljud hörs



Vid fel eller brister ska lyften tas ur drift och märkas med "ur funktion"

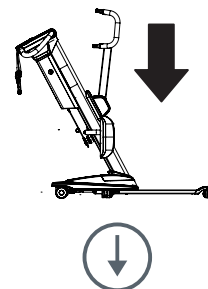
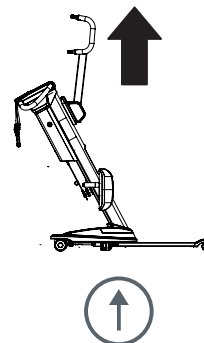
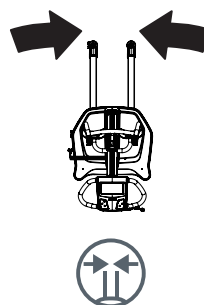
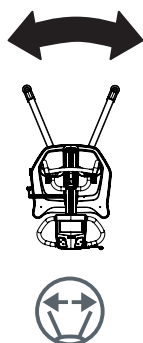
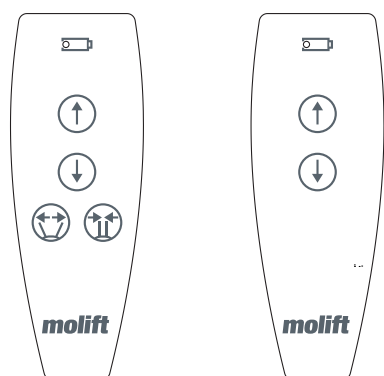
## Handkontroll

Handkontrollen har fyra knappar som används för att lyfta och sänka lyftarmen och för att öppna och stänga benen.

Handkontrollen är försedd med en indikatorlampa som tänds när batterinivån är låg och lyften behöver laddas.

Handkontroll med fyra knappar: Art nr 2910010

Handkontroll med två knappar: Art. nr 2910011



## Lyftarm – upp/ned

Obs! Lyften är som mest instabil när den är maximalt upphissad.

## Ben – in/ut

Obs! Öppna ben ger ökad stabilitet och gör det enklare att komma nära intill en stol eller toalett.

SV

## Så här använder du Molift Quick Raiser 205

### Säkerhetsanordningar

Molift Quick Raiser 205 har flera säkerhetsanordningar som är avsedda för att förhindra person- och materialskador i händelse av felaktig användning.

Lyften har en överlastgivare som förhindrar användning om lasten överskrider den maximalt tillåtna säkra lasten.

Lyftbygeln har ett gångjärn som förhindrar att brukaren hamnar i kläm mellan armen och lyftbygeln.

### Styrhandtag

Använd styrhandtagen för att flytta lyften.

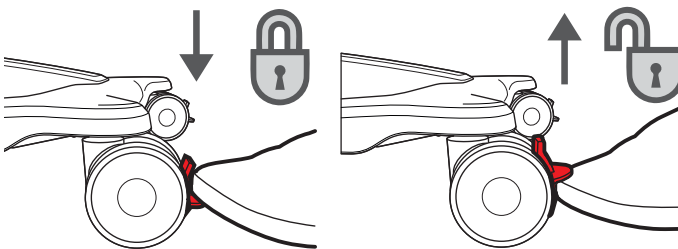


Tryck/dra aldrig i brukaren, lyftpelaren eller lyftarmen. Detta kan leda till problem med stabiliteten, och lyften kan välta.

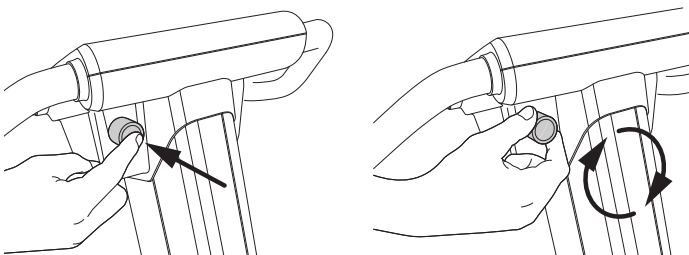
Lyften får endast användas för korta förflyttningar. Den får inte användas i stället för en rullstol eller liknande.

### Bromsar

Bakhjulen har fotstyrda bromsar. Trampa ned bromsen för att låsa den. Tryck uppåt eller sparka på övre delen av bromsen för att frigöra den.

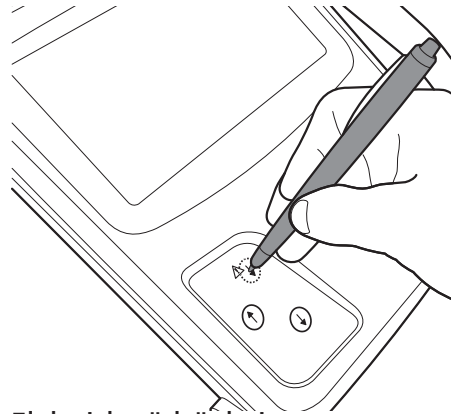


### Nödstopp/nödsänkning



#### Nödstopp

När nödstoppsknappen trycks in stängs strömmen av. Knappen vrids medurs för återställning.

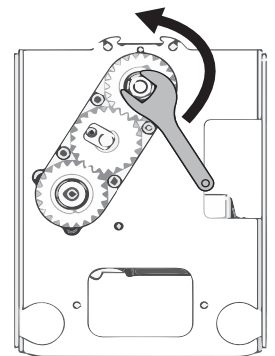
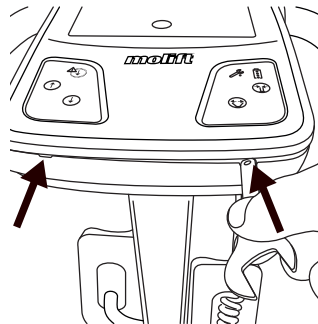


#### Elektrisk nödsänkning

Använd en penna eller annat spetsigt föremål för att hålla in knappen för elektrisk nödsänkning för att hissa ned lyftbygeln. Funktionen för elektrisk nödsänkning kan inte användas när nödstoppet är aktiverat.



Använd endast elektrisk nödsänkning om ingen annan knapp fungerar.



#### Manuell nödsänkning

Använd den skruvnyckel som sitter i botten skyddet för att lossa kontrollpanelsskyddet vid de två punkterna.



Tryck in nödstoppsknappen innan du tar bort överdraget. Roterande delar utgör en klämrisk!

Använd den 17 mm fasta nyckeln och vrid kulskraven medurs tills brukaren har sänkts ned på ett säkert sätt. Den manuella nödsänkningen ska endast användas när den elektriska nödsänkningen inte fungerar.



Vid användning av nödsänkning – märk lyften med "ur funktion" och beställ service!

# Elektronik

SV

## Transport- och användningsförhållanden

### Transport och förvaring

Vid förvaring under längre perioder rekommenderar vi att nödstoppknappen är aktiverad (intryckt). Lyften kan förvaras och transporteras vid temperaturer mellan -25 och 70 °C.

### Användning

Lyften är utformad för användning i normal rumstemperatur (+5 till +40 °C).

Lufttryck: 70–106 kPa

Relativ fuktighet: 15–93 %

Om förvaring eller transport skett vid andra temperaturer än de som anges ovan ska lyften ställas i ett rum med lämplig temperatur tills den nått säker driftstemperatur.



Elektrisk utrustning för medicinskt bruk kräver särskilda försiktighetsåtgärder vad gäller elektromagnetisk kompatibilitet (EMC). Bärbar eller mobil radiokommunikationsutrustning kan påverka den medicinska elektriska utrustningen och ska därför hållas på minst 25 cm (10 tum) avstånd från lyftens elektroniska komponenter.

## Batteri

Molift Quick Raiser 205 finns tillgänglig med ett 24 V SLA-batteri eller ett 25,6 V LiFePO4-batteri – båda med en integrerad laddare.

SLA-batteriet har en förväntad livslängd på ca 500 laddningscykler.

LiFePO4-batteriet har en förväntad livslängd på ca 2 000 laddningscykler.



Ladda batteriet vid leverans och därefter var sjätte månad för att undvika batterifel.



Batterier måste kasseras som specialavfall i enlighet med lokala regler och bestämmelser. Får ej kasseras i hushållssoporna






## Batteri- och serviceindikator

	Skruvnyckelsymbol/ servicelampa
	Batterisymbol/ batterilampa

Det elektriska systemet har en strömsparfunktion som stänger av systemet fem minuter efter den senaste manövern. Alla lampor stängs av. Systemet aktiveras när man trycker på någon av manöverknapparna.

### Batteriindikator på kontrollpanelen

När batterilampan, som har flera nivåer, lyser gult har lyften fortfarande tillräckligt med ström kvar för en hel lyftcykel med maxbelastning. När batterilampan blinkar i gult går det endast att sänka lyftarmen.

<i>Batteriindikator.</i>		<i>Batterinivå</i>
	Grön	80 % eller mer
	Grön	80–60 %
	Grön	60–40 %
	Grön	40–20 %
	Lyser gult eller blinkar i gult	20 % eller mindre (ladda lyften)

**Service-lampa**

Lyftens elektronik registrerar den vikt som lyfts och antalet lyft. Efter en given driftstid avges en signal för att indikera att lyften behöver service.

**Service-lampa (från 1/1 2018)**

Service-lampa	Läge
Släckt	Ingen service behövs
Blinkar i grönt	Beställ service
Gul	Periodisk inspektion krävs
Röd	Utför service



Undvik att placera lyften på ett sätt som gör det svårt att koppla ur nätkabeln



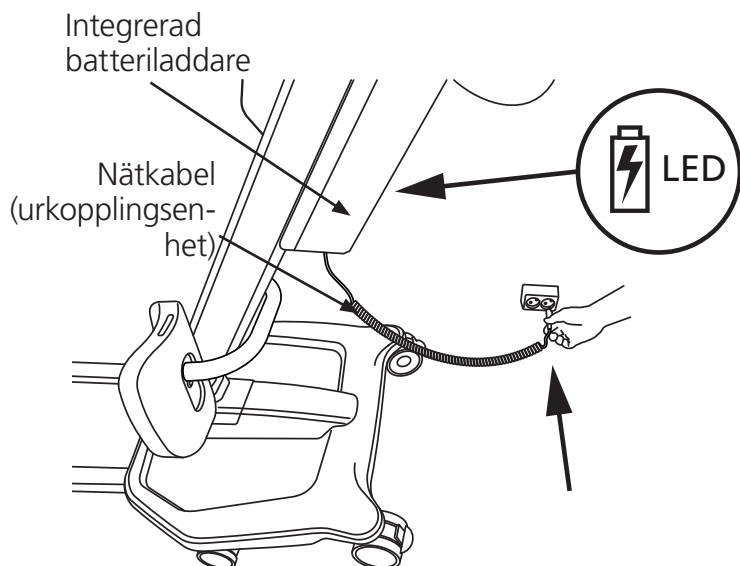
Undvik att ladda lyften i ett badrum eller annat rum med våta ytor!



Dra ut nätkabeln ur vägguttaget innan du flyttar på lyften

**Service-lampa (fram till 31/12 2017)**

Service-lampa	Läge
Släckt	Ingen service behövs
Gul	Beställ service
Gul blinkande	Periodisk inspektion krävs
Röd	Utför service

**Laddning**

Lyften har en integrerad laddare. Parkera lyften och sätt i kontakten i ett vägguttag för att ladda batteriet. En lysdiodslampa på baksidan av batteriboxen lyser rött under laddning. Lysdiodslampan på batteriboxen lyser grönt med ett fast sken när lyften är fulladdad. Under laddning blinkar lysdiodslamporna på kontrollpanelen var tionde sekund.

## Förflyttning

SV

Planera lyftmomentet före lyft, så att det sker så tryggt och smidigt som möjligt. Tänk på att arbeta ergonomiskt. Gör en riskbedömning och dokumentera. Assistenten är ansvarig för brukarens säkerhet.

### Användning av sele

Det är viktigt att lyftselen är utprovad för den enskilda brukaren och den tilltänkta lyftsituationen.



Läs igenom selens manual före användning.

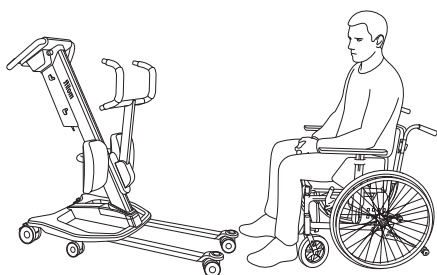


Skadade eller kraftigt slitna selar får inte användas.

### Selar från andra tillverkare

Använd endast Molift-selar. Etac ansvarar inte för sådana fel eller olyckor som kan inträffa om selar från andra tillverkare används.

### Justering av knästödet



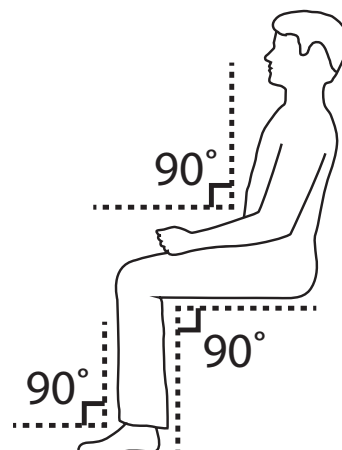
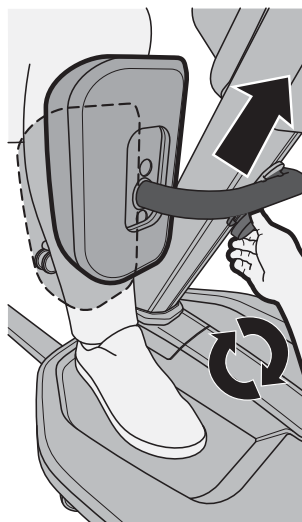
Placera Quick Raiser 205 framför brukaren. Placera fötterna på fotplattan. Hjälプ vid behov brukaren att placera fötterna korrekt. Lås lyftens hjul innan du lyfter brukaren.

Brukarens leder ska helst vara vinklade i 90 grader före lyftet.

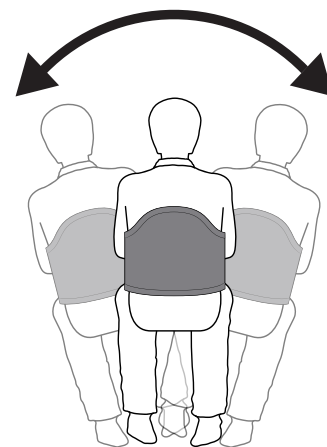


Kontrollera att knästödhöjden är anpassad efter brukarens anatomi. Översidan av dynorna ska vara placerade 2 cm under brukarens knä

Använd vid behov vredet för att höja eller sänka benstödet.

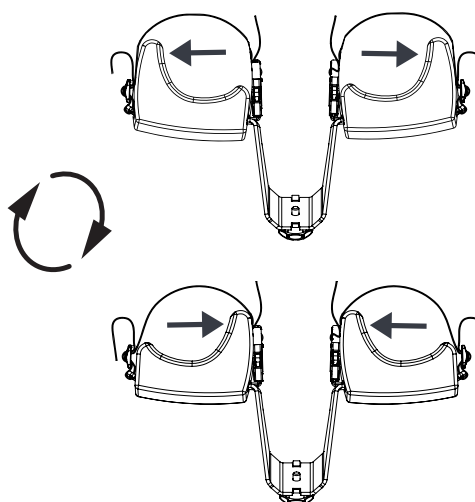


Kontrollera att brukaren inte hänger framåt eller svänger från sida till sida innan och under tiden som han/hon lyfts eller sänks.



### Alternativt benstöd med band

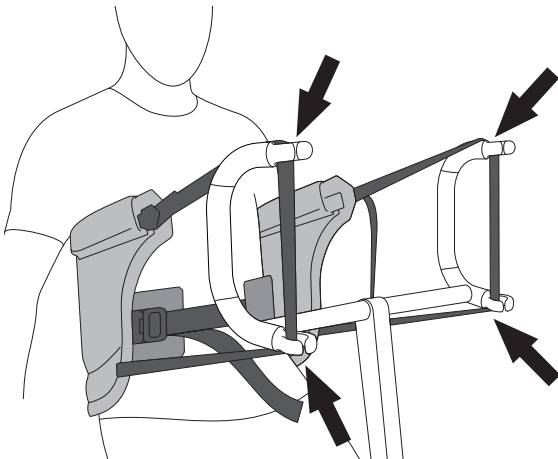
Det alternativa benstödet med band kan tas av och vridas 180 grader för att öka stödet på såväl insidan som utsidan av benen.



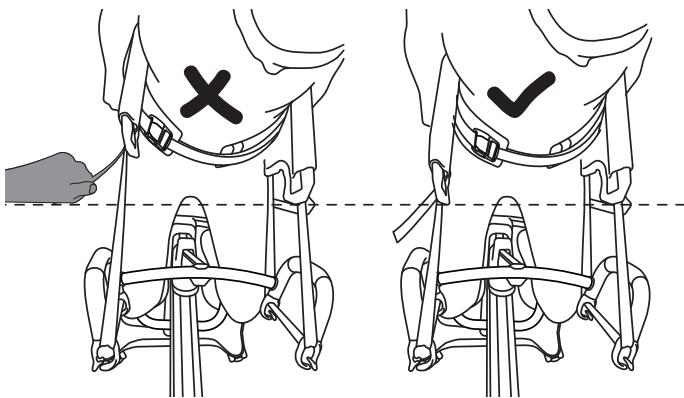
SV

## Förflyttning

### Använda en 4-punkts lyftbygel



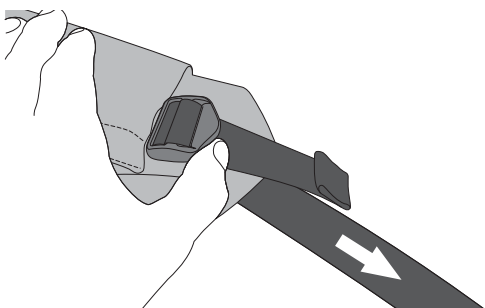
Fäst selen på lyftarmen genom att föra lyftbandet genom alla fyra öglor.



Dra i det lösa bandet för att justera längden på banden. Se till så att de är lika långa på varje sida.

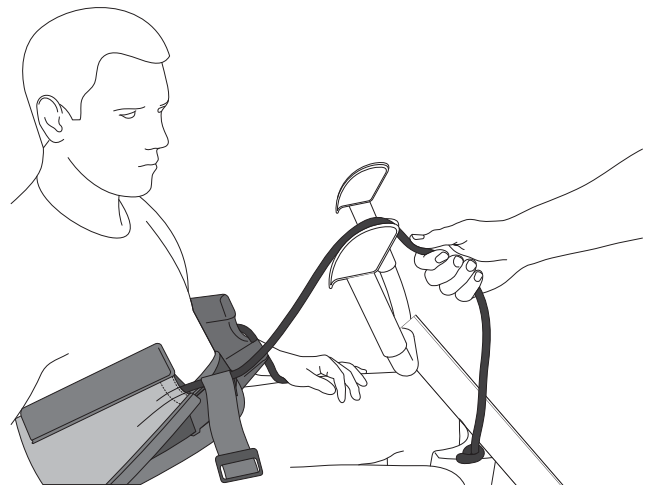
Brukarens tyngd gör att bandet låses fast i lyftarmen. Brukaren måste lutats tillbaka något vid lyft och om möjligt hålla i handtagen.

### Ta av selen



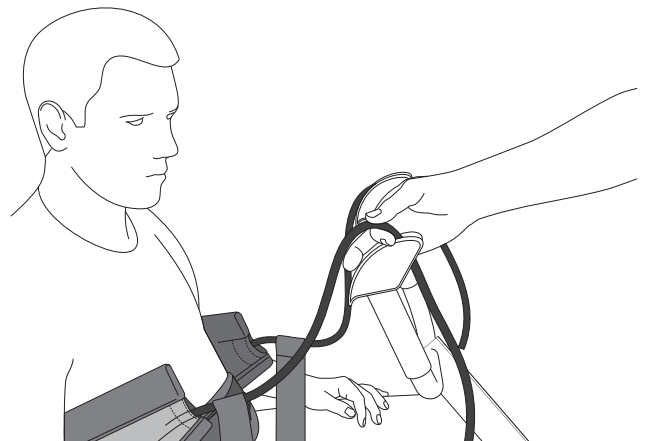
Lossa banden igen genom att vinkla spännet och dra ut bandet.

### Använda en 2-punkts lyftbygel



Fäst snörena på 2-punkts lyftarmen genom att dra dem uppåt och föra in dem i snörlåsen.

### Ta av selen



Lossa bandet genom att dra fingrarna längs snöret bort från brukaren.



RgoSling Active får endast användas med 4-punkts lyftbygel.  
RgoSling Stand får endast användas med 2-punkts lyftbygel.

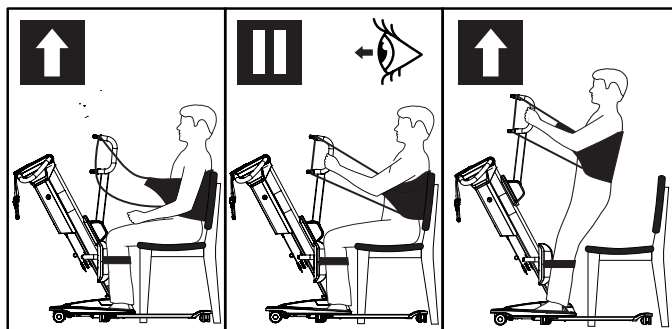
## Förflyttning

SV

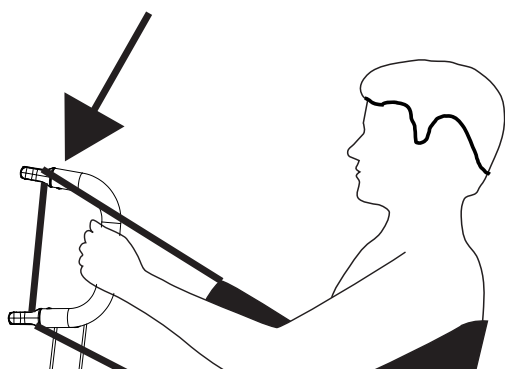
## Lyfta/sänka

Stå vid sidan av brukaren när du lyfter honom/henne. Kontrollera att armar och ben inte hamnar i vägen för stol, säng eller dylikt. Håll ögonkontakt med brukaren så att han/hon känner sig trygg.

Om möjligt: Öka bredden på hjulbasen innan lyft med hjälp av justeringsknappen som finns på handkontrollen.



1. Kontrollera att selen sitter på rätt sätt runt brukaren och att bandöglorna sitter som de ska i lyftbygelns krokar.
2. Se till att brukaren har båda fötterna ordentligt placerade på lyftens fotplatta.
3. Sträck selens band utan att lyfta brukaren. Se till att båda selens öglor är ordentligt fästa för att förhindra att brukaren glider eller faller ned.
4. Se till att bältespannet är ordentligt låst.
5. Lyft brukaren till stående läge, spänn åt och justera selen vid behov.

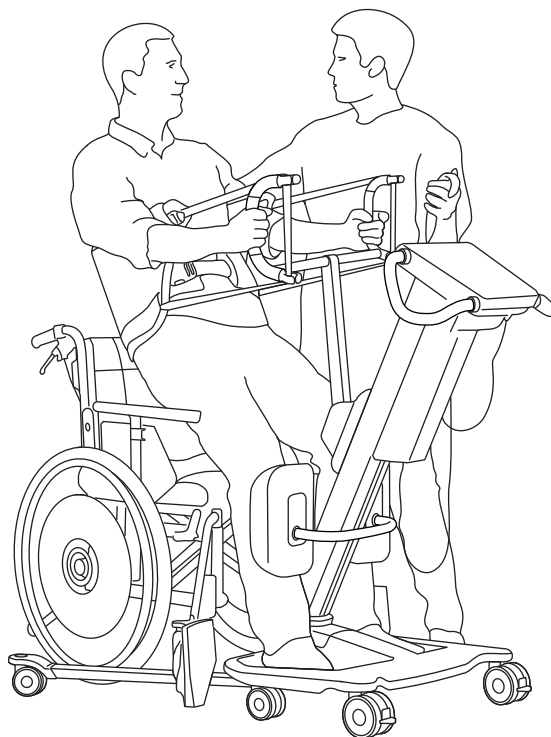


Kontrollera att brukarens händer är placerade på rätt sätt så att händer och fingrar inte kommer i kläm i lyftbanden.

Obs! Hjulen på enheten som brukaren lyfts från/till måste vara inställda i låst läge.

## Förflyttning

Lyft brukaren försiktigt tills stussen lyfts från sätet och spänn åt bältet. Lås upp lyftens hjul och förflytta brukaren till önskad plats.



Var försiktig under förflyttningen så att du inte stöter till möbler, väggar, dörrar etc.



Använd inte lyften för att lyfta eller förflytta brukare från slutande ytor.

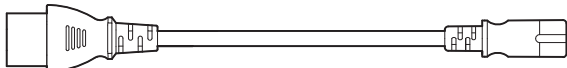
Undvik mattor med lång lugg, höga trösklar, ojämna ytor eller andra hinder som kan blockera svänghjulen. Lyften kan komma ur balans om den förs över sådana hinder vilket ökar risken för att lyften ska välta.

Lyften får endast användas för korta förflyttningar. Den ska inte användas som rullstol eller liknande.

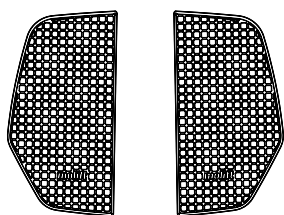
(Rekommenderad) extrautrustning och (rekommenderade) tillbehör för Molift Quick Raiser 205.

Tillbehör

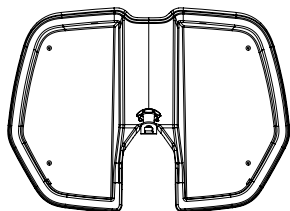
Förlängning för strömkabel  
Art.nr: 2920117



Set med inlägg för fotplatta  
Art.nr: 2920151



Fotskiva  
Art.nr: 2910065



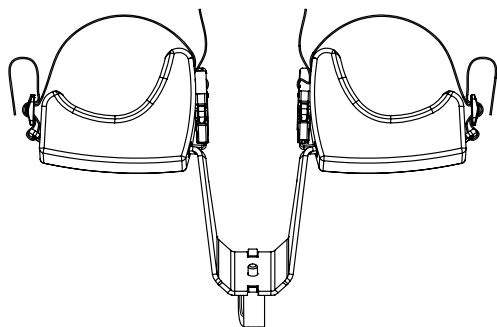
Alternativt benstöd med band:

Komplett set med fäste och stora dynor  
Art.nr: 2910056

Set med stora dynor  
Art.nr: 2910077

Komplett set med fäste och små dynor  
Art.nr: 2910059

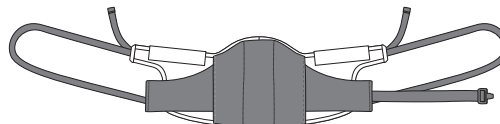
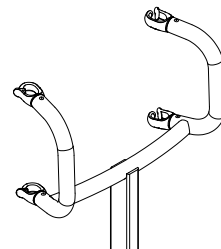
Set med små dynor  
Art.nr: 2910076



Lyftarmar och selar

4-punkts lyftbygel:

Quick Raiser Active lyftarm  
Art.nr: 2910060

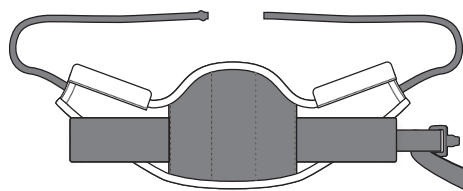
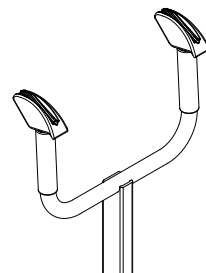


Rgosling Active

Art.nr: 1720910	Storlek XS
Art.nr: 1720920	Storlek S
Art.nr: 1720930	Storlek M
Art.nr: 1720940	Storlek L
Art.nr: 1720950	Storlek XL

2-punkts lyftbygel:

Quick Raiser Stand Up lyftarm  
Art.nr: 2910061



Rgosling Stand Up

Art.nr: 1720710	Storlek XS
Art.nr: 1720720	Storlek S
Art.nr: 1720730	Storlek M
Art.nr: 1720740	Storlek L
Art.nr: 1720750	Storlek XL

Rgosling Stand Up polstrad

Art.nr: 1720810	Storlek XS
Art.nr: 1720820	Storlek S
Art.nr: 1720830	Storlek M
Art.nr: 1720840	Storlek L
Art.nr: 1720850	Storlek XL

## Underhåll

SV

### Rengöring och desinfektion

Rengör regelbundet. Rengör ytorna med fuktig trasa och lämpligt pH-neutralt rengöringsmedel. Använd inte lösningsmedel eller starka vätskor eftersom det kan skada lyftens ytor. För desinfektion vid behov: använd isopropylalkohol. Undvik slipande rengöringsmedel.

- Ta bort lyftarmens överdrag för att rengöra under det
- Ta vid behov bort knädynan och rengör den under rinnande vatten.
- Ta bort hår och mattlugg från hjulen och kontrollera att de kan rulla fritt.

Använd vid behov isopropylalkohol för att ta bort fett och smuts på kontakten och handkontrollen. Kontrollera nödstoppfunktionen efter rengöring. Lyftet får inte sköljas i rinnande vatten.



Undvik att skada eller avlägsna etiketter under rengöring.

### Rekonditionering

Följ anvisningarna för rengöring och montering, genomför periodisk inspektion och använd check-listan efter montering för att rekonditionera lyften.

### Återvinning

Se dokumentet Återvinning för information om hur produkten ska kasseras. Se [www.etac.com](http://www.etac.com).

### Reservdelar

En lista över reservdelar kan fås på begäran.

## Periodisk inspektion

### Omfattning på periodisk inspektion

Den periodiska inspektionen är en visuell undersökning (framför allt av lyftens lastbärande struktur och lyftmekanismen, inklusive fästen, bromsar, kontroller, säkerhetsanordningar och selar och andra lyfttillbehör) i enlighet med den periodiska inspektionsrapporten för Molift Quick Raiser 205. Se [www.etac.com](http://www.etac.com).



Om det är problem med lyften som kan påverka säkerheten ska lyften omedelbart tas ur drift och tydligt märkas med "Ur funktion". Lyftet får inte användas igen förrän den har reparerats.

När periodisk besiktning utförs ska inspektören fylla i besiktningsrapporten för Molift Quick Raiser 205. Rapporterna ska bevaras av den/de person(er) som ansvarar för service av lyften. Om defekter och skador upptäcks vid inspektionen ska lyften tas ur drift och märkas med "ur funktion" tills den har reparerats. När du har utfört den periodiska inspektionen ska du återställa servicelampan, se sidan 71.

Den periodiska inspektionen ska genomföras minst en gång om året, eller oftare om lokala bestämmelser kräver det. Inspektionen måste utföras av servicepersonal som auktoriserats av Etac. Kontakta Etac på [molift@etac.com](mailto:molift@etac.com) för utbildning och auktorisering eller rekommendation av godkänd servicepartner.

SV

## Felsökning

Symptom	Möjlig orsak/åtgärd
Lyftpelaren är instabil	Låsbultarna är inte ordentligt åtspända eller lyftpelaren sitter inte ordentligt på plats på chassit/ kontrollera att pelaren sitter ordentligt på plats på chassit och/eller spänn åt bultarna
Lyften rör sig endast åt ett håll (uppåt eller nedåt)/ benen rör sig endast åt ett håll (inåt eller utåt)	Fel på handkontrollen/byt ut mot en reservkontroll från en annan lyft eller mot en ny handkontroll
	Elektroniken fungerar inte/kontakta din lokala servicerepresentant
Lyften rör sig uppåt och/eller nedåt av sig själv/ benen rör sig av sig själva	Kortslutning mellan handkontrollen och lyften/ta bort fett och smuts på handkontrollens kontakter och på chassit med lite sprit
	Handkontrollen fungerar inte/byt ut handkontrollen/ kontakta din lokala servicerepresentant
	Reläerna/elektroniken fungerar inte/byt ut elektroniken/reläerna/kontakta din lokala servicerepresentant
Lyftarmen/benen rör sig inte	Urladdat batteri/ladda batteriet
	Nödstoppet har aktiverats/vrid medurs för att återställa nödstoppet
	Handkontrollen är inte ansluten/återanslut handkontrollen
	Handkontrollen fungerar inte/byt ut handkontrollen/ kontakta din lokala servicerepresentant
	Elektroniken fungerar inte/kontakta din lokala servicerepresentant
	Motorn fungerar inte/kontakta din lokala servicerepresentant
	Kontrollera kontakten mellan pelaren och chassit

## Norsk Manual

NO

## Innhold

Molift Quick Raiser 205 .....	40
Komponenter .....	40
Om Molift Quick Raiser 205 .....	40
Generelt.....	41
Samsvarserklæring .....	41
Bruksbetingelser .....	41
Endringer og bruk av komponenter som er laget av andre produsenter. ....	41
Garanti .....	41
Produktidentifisering .....	41
Tekniske data Quick Raiser 205.....	42
Montering.....	43
Før montering.....	43
1 - Batteri .....	43
2 - Benstøtte .....	44
3 - Søyle i understell .....	44
4 - Løftearm .....	45
5 - Strømkabel.....	45
6 - Håndkontroll .....	46
Sjekkliste etter montering.....	46
Reset serviceindikator.....	46
Bruke Molift Quick Raiser 205.....	47
Før bruk/daglig kontroll.....	47
Håndkontroll.....	47
Sikkerhetsinnretninger.....	48
Styrehåndtak .....	48
Bremsar .....	48
Nødstopp/nødsenking.....	48
Elektronikk .....	49
Transport- og driftsbetingelser.....	49
Batteri .....	49
Batteri- og serviceindikator .....	49
Lading .....	50
Forflytning .....	51
Bruke seil.....	51
Regulere benstøtten .....	51
Alternative kneputer med stropper.....	51
Bruke 4-punkts løftearm .....	52
Bruke 2-punkts løftearm .....	52
Løfting/senking.....	53
Forflytning .....	53
Tilbehør .....	54
Tilbehør.....	54
Løftearmer og seil.....	54
Vedlikehold .....	55
Rengjøring og desinfeksjon .....	55
Rekondisjonering .....	55
Gjenvinning .....	55
Reservedeler .....	55
Periodisk inspeksjon .....	55
Periodisk inspeksjon omfang .....	55
Feilsøking.....	56

## Viktig

Denne bruksanvisningen inneholder viktige sikkerhetsinstruksjoner og informasjon om bruk av løfteren og tilbehøret.

Brukeren i denne bruksanvisningen er personen som løftes.

Assistenten er personen som betjener løfteren.

**Advarsel!**

Dette symbolet indikerer viktig sikkerhetsinformasjon. Følg disse instruksene nøye.

**Les brukermanual før bruk.**

Det er viktig at innholdet i denne brukermanualen leses og forstås før utstyret tas i bruk.



Hvis nødsenk blir brukt skal løfteren merkes med "ikke i bruk" og service skal bestilles!

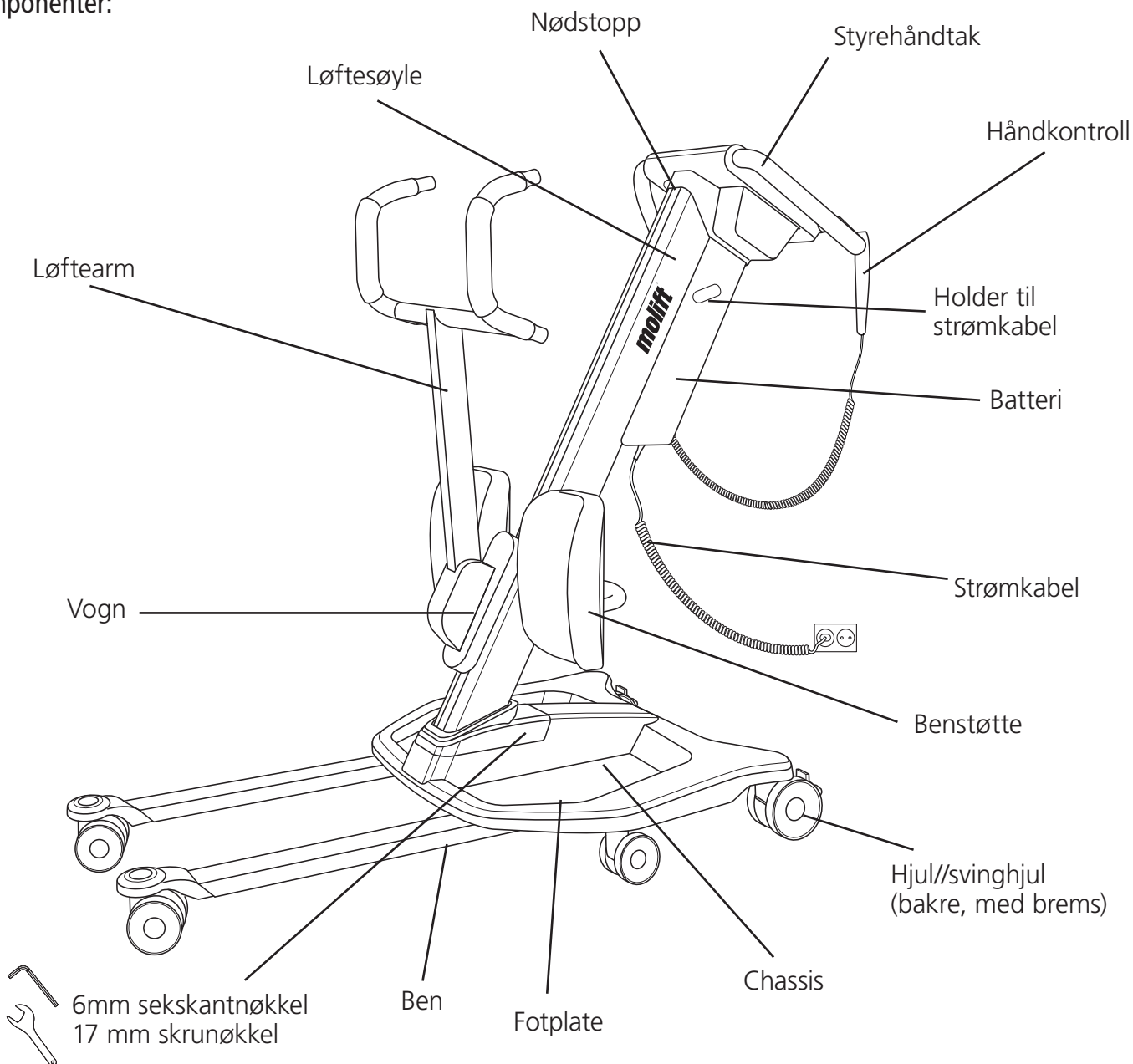


De roterende delene utgjør en klemfare!

Last ned dokumentasjon fra [www.etac.com](http://www.etac.com), slik at du har den nyeste utgaven.

*"Manufacturer's Declaration" finner du i Molift Quick Raiser Teknisk Manual (TM13001)*

## Komponenter:



## Om Molift Quick Raiser 205

Molift Quick Raiser 205 er en mobil løfter fra sittende til stående, som er ment for å reise opp og forflytte en person til/fra en stol, en rullestol eller et toalett med et seil. Løfterens utforming og løftebevegelsens geometri etterligner personens naturlige bevegelsesmønster. Molift Quick Raiser 205 er utformet for brukere som kan følge instruksjoner, har god stabilitet i overkropp og som kan bære sin kroppsvekt på minst ett av sine ben, men som trenger assistanse i stående posisjon. Løfteren er fremstilt av lette materialer, og er

utstyrt med hjul og en elektrisk motor som drives av et batteri. Løfteren betjenes med håndkontrollen eller kontrollpanelet på løfteren. Den har elektrisk regulerbare ben, og en løftekapasitet på 205 kg (451 lb).

Den er ideell for pleiesituasjoner på institusjoner, men kan også brukes i private hjem og pleiehjem. Løfteren skal bare brukes til forflytning over korte avstander, for eksempel mellom en stol og en seng eller inn til badetrom/hvilerom, og er ikke en erstatning for rullestol eller lignende.

## Generelt

NO



## Samsvarserklæring

Produktet og tilhørende tilbehør, som er beskrevet i denne bruksanvisningen, er i samsvar med forordning (EU) 2017/745 av 5. april 2017 - som medisinsk utstyr, risikoklasse I. Produktet er testet og godkjent av en tredjepart i henhold til standardene IEC 60601-1, IEC 60601-1-2 og EN/ISO 10535:2021.

Alle alvorlige hendelser som oppstår i forbindelse med enheten, skal rapporteres til produsenten og kompetent myndighet i landet der brukeren og/eller pasienten befinner seg.

## Bruksbetingelser

Løfting og forflytning av personer medfører alltid en viss risiko, og utstyret og tilbehøret som er beskrevet i denne bruksanvisningen skal bare brukes av kvalifisert personale.

## Endringer og bruk av komponenter som er laget av andre produsenter.

Vi anbefaler at det kun brukes Etac Molift komponenter og reservedeler. Samsvarserklæringen blir ugyldig, og Etac står ikke ansvarlig for garantien dersom utstyret er utsatt for modifikasjoner. Etac har intet ansvar for eventuelle feil eller ulykker som kan oppstå ved bruk av komponenter fra andre produsenter.



Bare autorisert personale har tillatelse til å åpne løfteren eller tilbehøret for å utføre service eller reparasjoner. Fare for skade som følge av roterende deler og elektrisk støt.



Løfteren skal ikke betjenes av personen som løftes.

## Garantimelding

To (2) års produktgaranti mot feil i materialer og arbeidsutførelse.

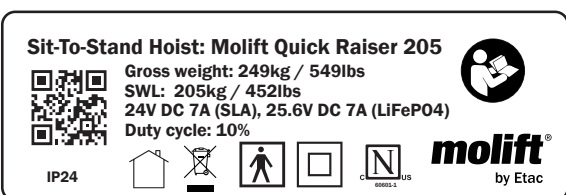
Ett (1) års batterigaranti.

Les vilkår og betingelser på [www.etac.com](http://www.etac.com).

## Produktidentifisering

## Produktetikett / GS1-128

Strekkoden på etiketten inneholder EAN-nummer, serienummer og produksjonsdato.



Anvendt del type BF



CE-merket



Se bruksanvisningen



Kun for bruk innendørs



Skal ikke kastes som restavfall



Nødsenking



Serviceindikator



Batteriindikator



Ladeindikator



Dobbelt isolasjon symbol



Produsent



Produksjonsdato



Katalognummer



Serienummer



Medisinsk utstyr

## Advarselsetiketter og symboler

Detaljert forklaring av symboler på produktet:

NO

## Teknisk data Quick Raiser 205

## Sikker arbeidsbelastning (SWL):

205 kg (451 lbs)

## Enhetens vekt:

Enhetens totalvekt: 41 kg/ 90.4 lb

Understell: 17.8 kg/ 39.2 lb

Løftesøyle m. batteri: 15.4 kg/ 34 lb

Benstøtte: 2.8 kg/ 6.2 lb

4-punkts løftearm: 5 kg/11 lb

## Batteri:

SLA 24V 2.9 Ah

LiFePO4 25.6V 2.4 Ah

## Batterilader:

Inngang: 100-240 VAC,

50-60 Hz, maks 0.35 A

Utgang: 29.4 VDC, 0,5 A

## Batteri ladetid:

5 timer

## Vurdert ytelse:

100 løft på: 75 kg og 500mm

## Løfthastighet:

35 mm/sekund (1,4 tommer/sekund)

med 75 kg (165 lb) belastning

## Beskyttelsesklasse:

IP24 (Komplett løfter).

Beskyttet mot faste gjenstander som er 12.5 mm i diameter eller større. Vannsprut mot løfteren fra hvilken som helst retning skal ikke ha noen skadelig effekt.

## Betjeningskraft, knapp:

Knapper på kontrollpanelet: &lt; 5 N

Knapper på håndsett: &lt; 5 N

## Materiale:

Aluminium, plast, stål

## Motor:

Løftemotor: 24 V DC

Benspredemotor: 24 V DC

## Svingdiameter:

1144 mm / 1300 mm  
(45<sup>3</sup>/<sub>64</sub> tomme) / (51<sup>3</sup>/<sub>16</sub> tomme)

## Forventet levetid:

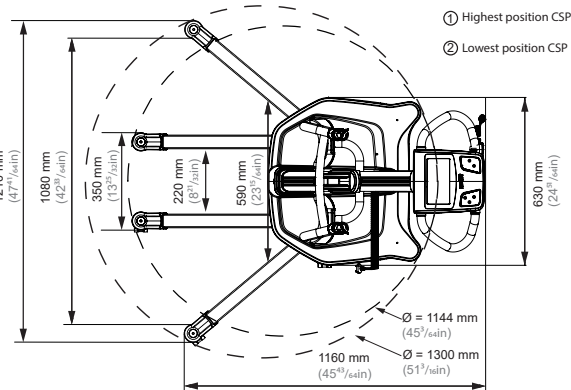
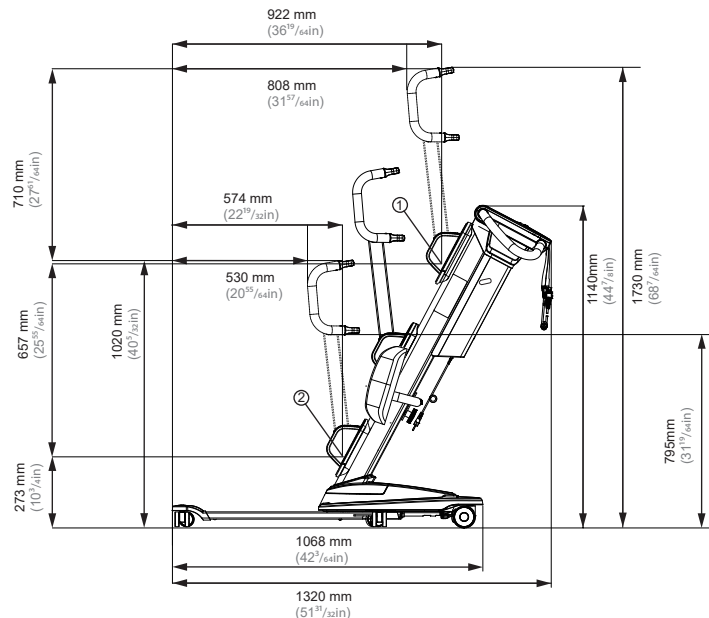
Løfteren har en forventet levetid på 30 000 sykluser eller 10 år.

## Applied parts:

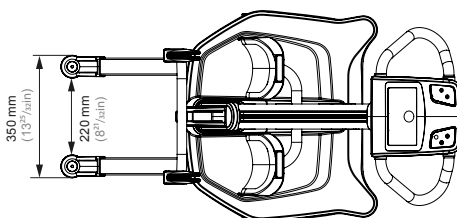
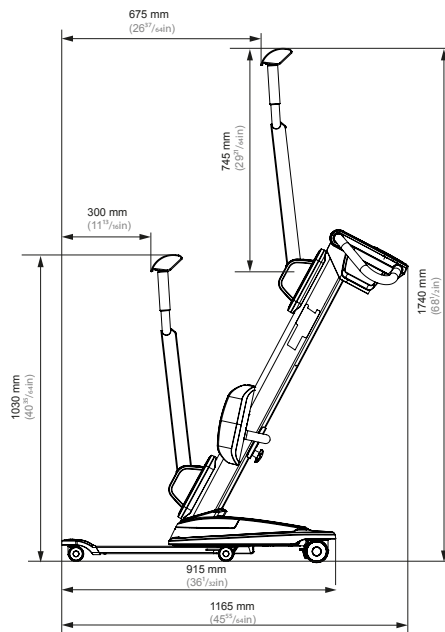
Seil

Fotbrett

Hånhåndtak



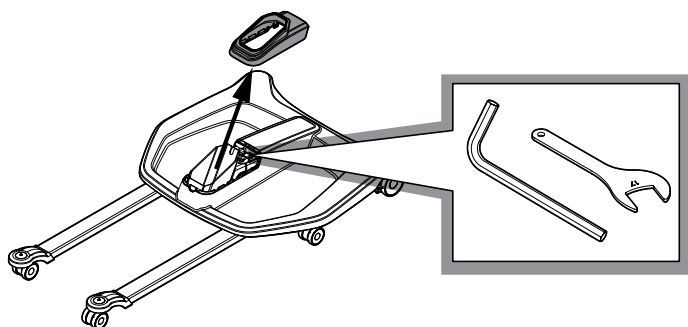
Measurements, QuickRaiser 205 with fixed legs:



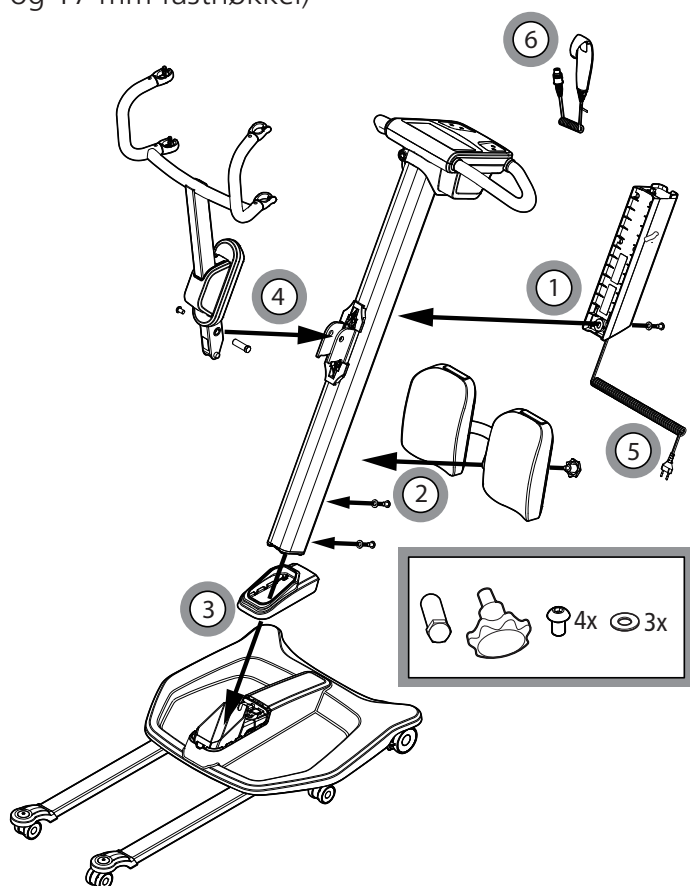
# Montering

**NO**

## Før montering

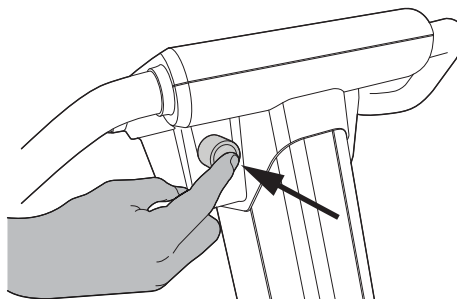


Finn monteringsverktøyene (5 mm sekskantnøkkel og 17 mm fastnøkkel)

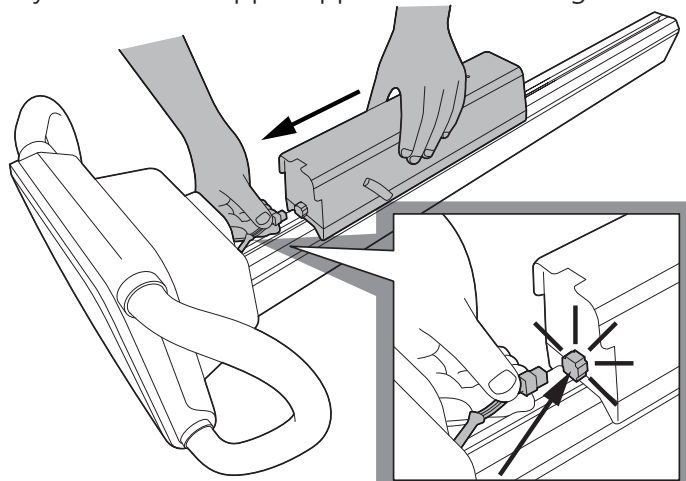


1. Batteri
2. Benstøtte
3. Søyle i understell
4. Løftearm
5. Strømkabel
6. Håndkontroll

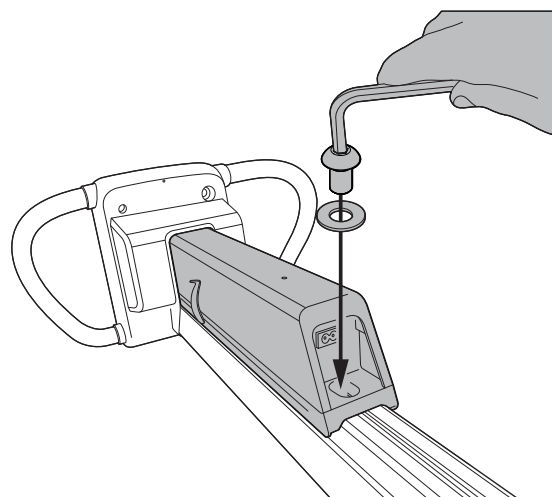
## 1 - Batteri



Trykk inn nødstopknappen før montering



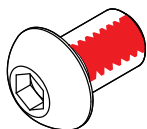
Sett søylen på et vannrett underlag. Kontroller at nødstopknappen er trykket inn. Koble ledningen fra kontrollpanelet til batteriboksen. Skyv batteriboksen på plass.



Stram skruen medurs med sekskantnøkkelen. NB! Husk å bruke skiven.



Montering av løfteren skal kun utføres av kvalifisert personell



Alle skruer med gjengelås skal bare brukes én gang. Reservedel art.nr. 2920075

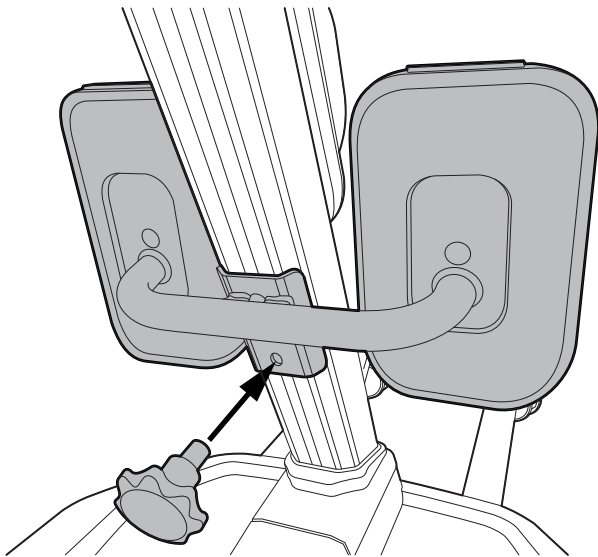


Sørg for at batteriet er ordentlig festet før søylen monteres i understellet

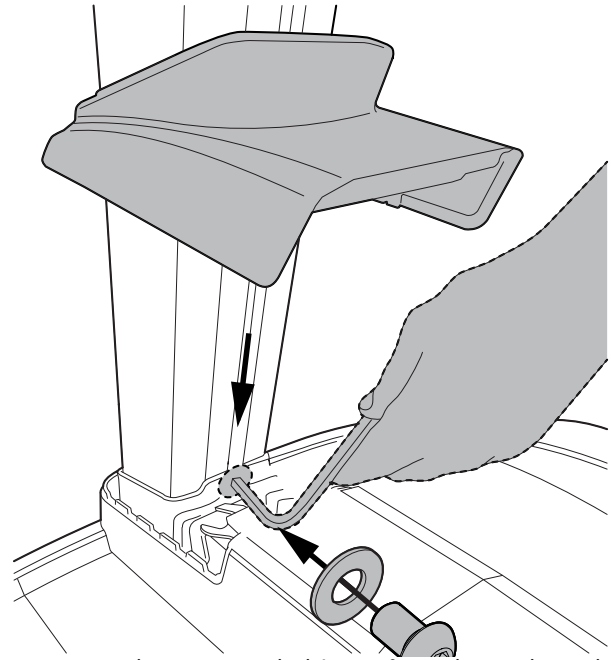
NO

## Montering

### 2 - Benstøtte

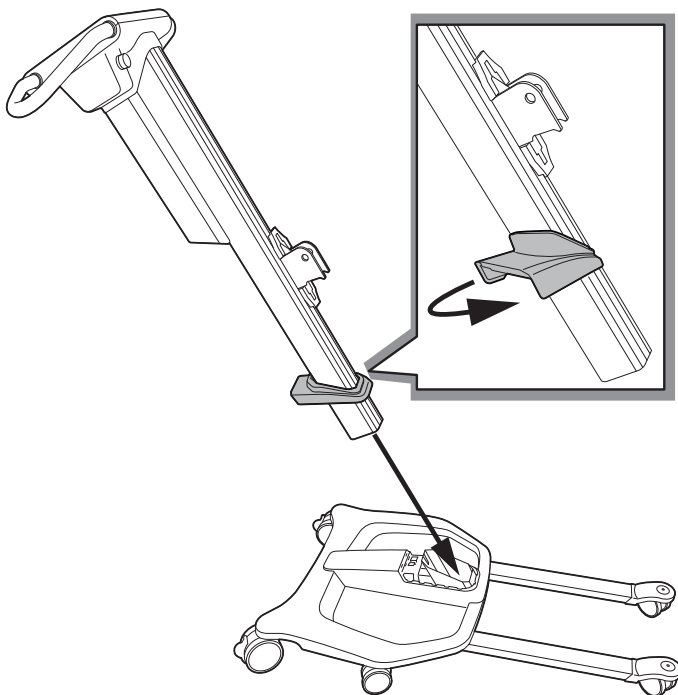


Monter benstøttebraketten.

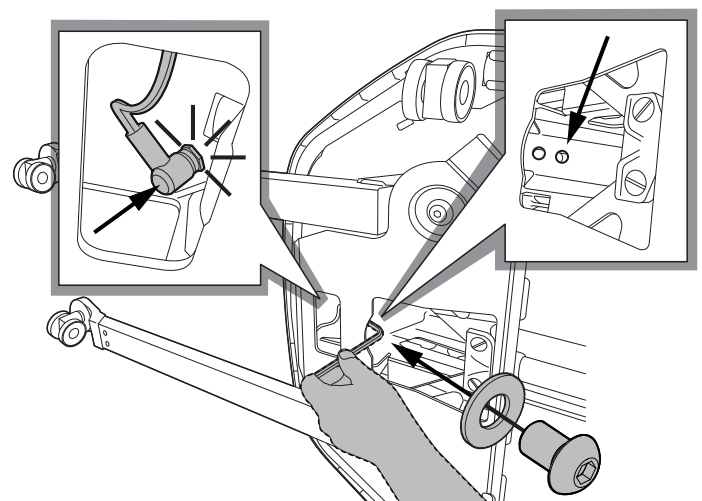


Monter skruen med skive på søylen. Skyv skruen ned til understellet, og stram skruen.

### 3 - Søyلة i understell



Sett dekselet på løftesøylen. Vri dekselet til siden for å feste det på søylen. Sett løftesøylen i understellet.



Legg løfteren på siden. Sett inn skruen og skiven i det øverste hullet, og stram skruen. Koble til kabelen mellom søylen og understellet.

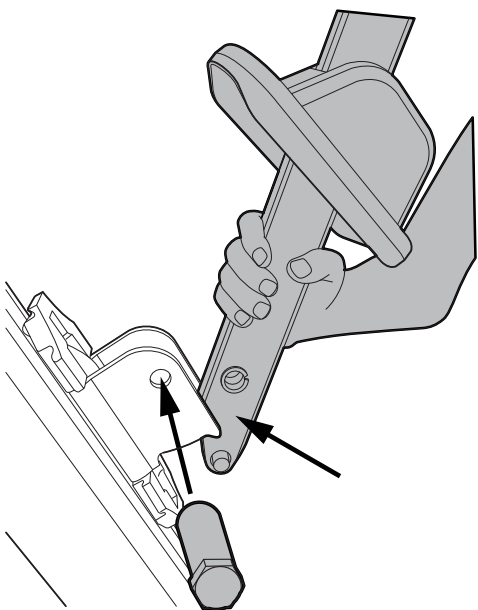


Skrueene sørger for at søylen ikke kan trekkes oppover.  
Løfteren må ikke brukes hvis ikke begge skruene er festet.

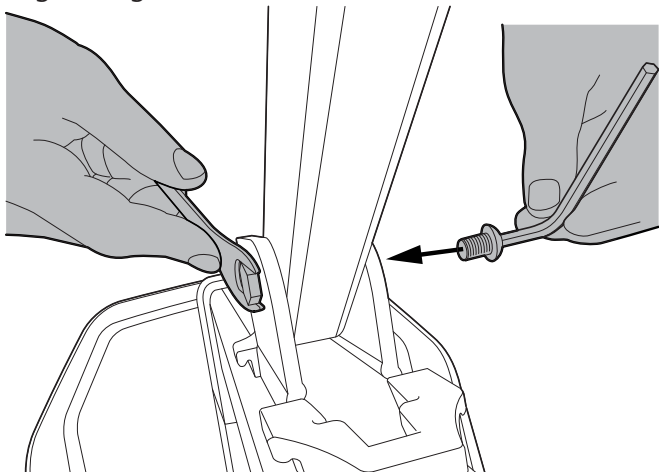
## Montering

NO

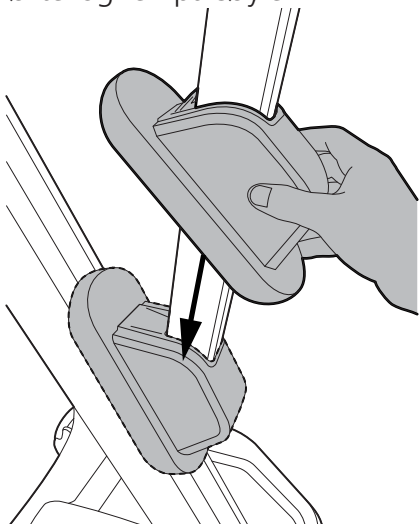
## 4 - Løftearm



Sett dekselet på løftearmen. Sett løftearmen i vognen og sett inn bolten.

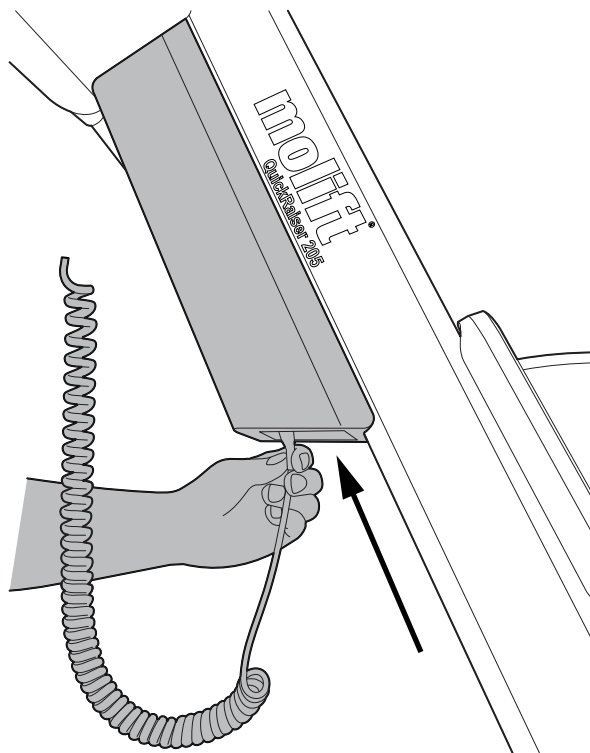


Sett inn bolten og stram skruen med en 17 mm fastnøkkel og en 6mm sekskantnøkkel. Sørg for at løftearmen er ordentlig festet til løftevognen på søylen.

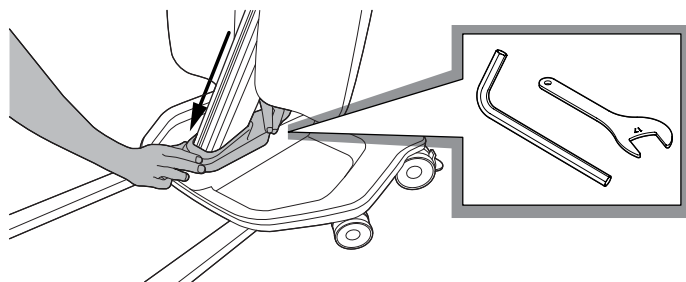


Sett det nedre dekselet på løftesøylen.

## 5 - Strømkabel



Koble ledningen til bunnen av batterienheten.

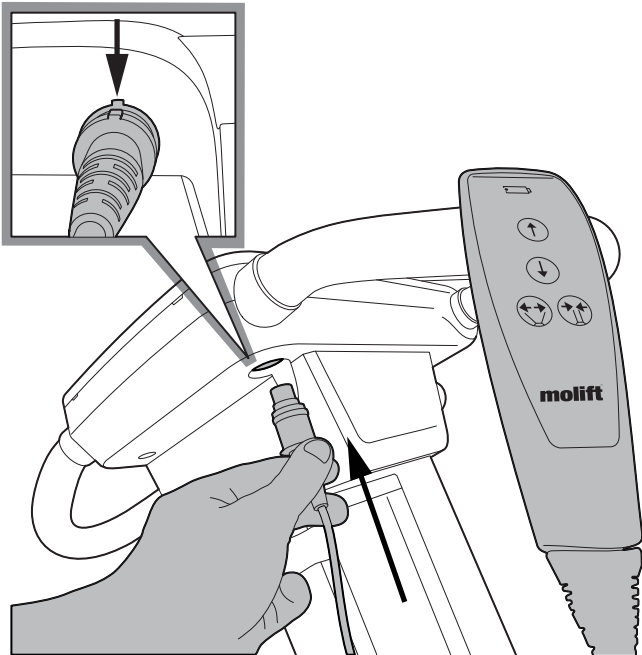


Monter det nedre dekselet på understellet. Husk å legge tilbake det medfølgende verktøyet.

NO

## Montering

### 6 - Håndkontroll



Koble håndkontrollen til kontrollpanelet.



Løfteren må ikke tas i bruk før monteringen er kontrollert ifølge sjekklisen.

### Sjekkliste etter montering

Bruk denne sjekklisen til å kontrollere at løfteren er riktig montert og at den kan betjenes trygt.



Tilbakestill nødstopknappen ved å dreie den medurs etter montering. Servicelampen skal nå lyse gult. Når sjekklisen er utført, tilbakestilles serviceindikatoren som beskrevet i monteringsanvisningen.

- Kontroller at benstøtten og løftearmen er riktig festet, og at det ikke finnes løse deler på løfteren.
- Kontroller at løftesøylen er riktig festet i understellet – og at begge skruene er strammet.
- Koble løfteren til et strømuttak for å kontrollere at den integrerte batteriladeren fungerer. Lad batteriet om nødvendig.
- Kontroller at løfteren ikke har synlige skader eller andre feil.
- Foreta ett løft med 50–100 kg belastning  
NB! Løfteren kan ikke betjenes under lading.

### Reset serviceindikator

Hvis serviceindikatoren lyser gult, må du kontakte din Molift-servicepartner for å få utført nødvendige tiltak.

Serviceindikatoren begynner å blinke gult igjen når det har gått 12 måneder og det er tid for periodisk inspeksjon.

# Bruke Molift Quick Raiser 205

**NO**

## Generelle sikkerhetshensyn

Bruk bare tilbehør og seil som er justert slik at de passer til brukeren, type funksjonsnedsettelse, størrelse, vekt og type forflytning.

## Driftspauser/driftssyklus.

Molift Quick Raiser 205 skal kjøres konstant i maksimalt 2 minutter (med maksimal last), deretter hvile i minst 18 minutter. Driftssyklus 10 %. (Intervaller i henhold til standarden ISO-EN 10535)

## Sikker arbeidsbelastning

Løfteren er merket med sikker arbeidsbelastning (SWL)



Hvis den maksimale sikre arbeidsbelastningen for løfteren, opphenget og kroppsstøtten er forskjellig, skal den laveste maksimale lasten alltid brukes



Molift-løftere skal bare brukes til å løfte personer. Bruk aldri løfteren til å løfte eller flytte gjenstander av noe slag.

## Før bruk/daglig kontroll

Inspeksjon som utføres daglig eller før bruk:

- Kontroller at det ikke finnes synlige skader, feil eller deformeringer på løfteren.
- Kontroller at løftearmfestet, benstøtten, batteriboksen og alle avtakbare deler er riktig montert og festet
- Test nødstopknappen
- Kontroller batterinivåindikatoren og servicelampen

- Pass på at stroppene på seilet ikke har synlig skade eller slitasje.
- Kontroller at hjulene ruller fritt og at løfteren er lett å manøvrere
- Prøvekjør løfterfunksjonene og kontroller at det ikke kommer unormale lyder fra løfteren



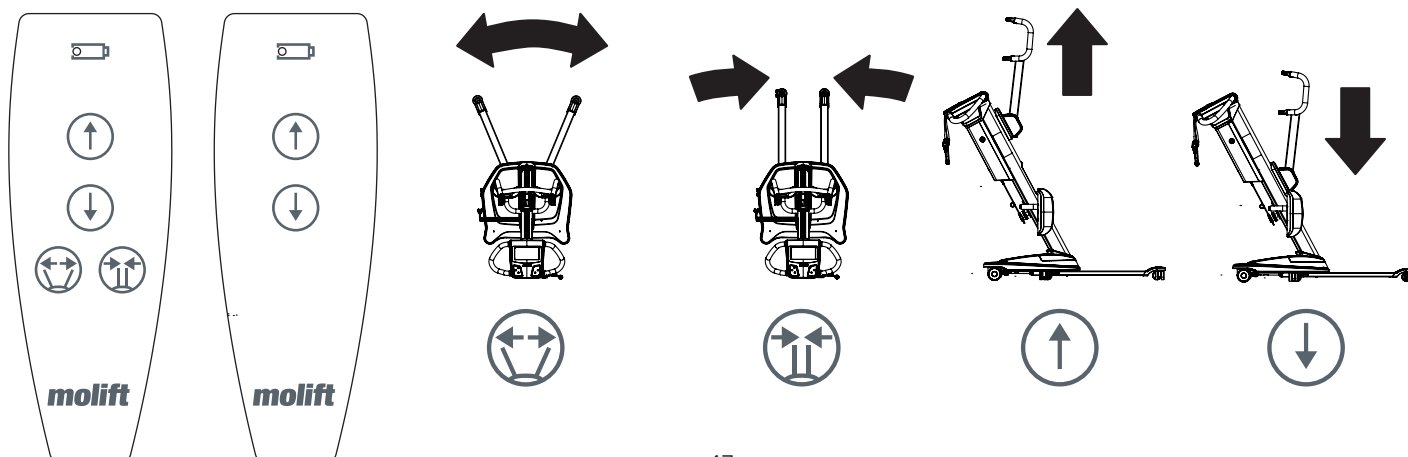
Hvis det er feil eller skader på seilet, må løfteren tas ut av bruk og merkes med "i ustand".

## Håndkontroll

Håndkontrollen har 4 knapper for løfting og senking av løftearmen og inn-/utfelling av bena. Håndkontrollen har en indikatorlampe som tennes når batterinivået er lavt og løfteren må lades

Håndkontroll, 4 knapper  
Art.-nr. 2910010

Håndkontroll, 2 knapper  
Art.-nr. 2910011



## Løftearm - Opp / Ned

NB! Løfteren er mest ustabil i øverste stilling.

## Ben - Inn / Ut

NB! Spre bena for høyere stabilitet og bedre tilgang til stolen eller toalettet.

NO

## Bruke Molift Quick Raiser 205

### Sikkerhetsinnretninger

Molift Quick Raiser 205 er utstyrt med flere sikkerhetsinnretninger, som har til formål å hindre skade på personale og utstyr i tilfelle feil bruk eller feil på enheten.

Løfteren har en overbelastningsføler, som hindrer at løfteren kan brukes hvis lasten overstiger sikker arbeidsbelastning.

Opphenget er hengslet for å hindre at brukeren kommer i klem mellom armen og opphenget. Elektronikken deaktiveres hvis den blir overopphetet. Vent til løfteren er kjølt ned før den brukes igjen.

### Styrehåndtak

Bruk styrehåndtakene til å flytte løfteren.

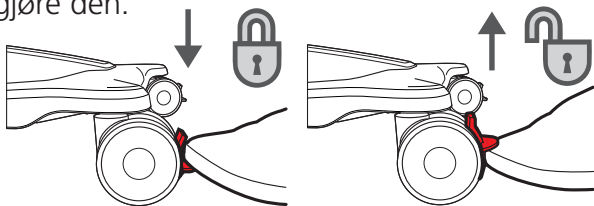


Unngå å skyve eller trekke i brukeren, løftesøylen eller løftearmen. Det kan føre til stabilitetsproblemer, og løfteren kan velte.

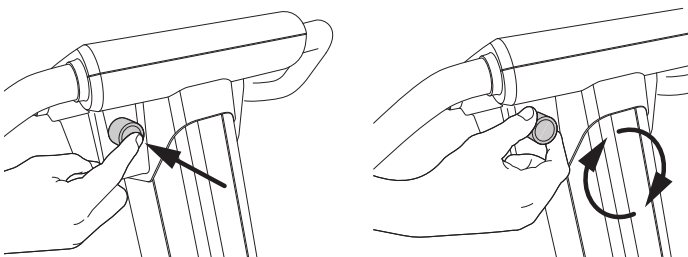
Løfteren skal bare brukes til forflytning over korte avstander. Den er ikke en erstatning for en rullestol eller lignende.

### Bremser

De bakre hjulene/svinghjulene er utstyrt med bremses. Tråkk på bremsen for å låse hjulet. Skyv opp eller tråkk på den øvre delen av bremsen for å frigjøre den.

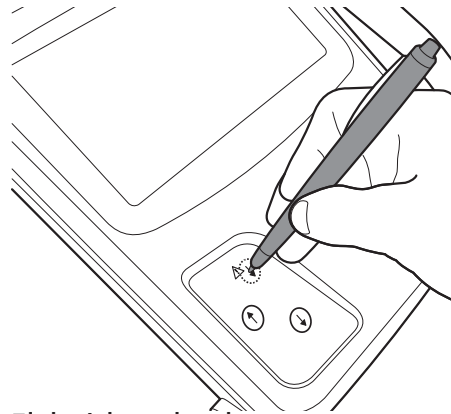


### Nødstopp/nødsenkning



### Nødstopp

Nødstoppknappen slår av strømmen når den trykkes inn. Drei den medurs for å tilbake stille den.

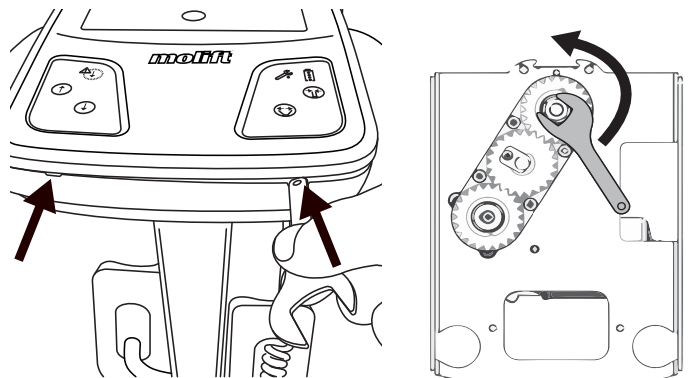


### Elektrisk nødsenk

Bruk en penn eller en skarp gjenstand til å holde inne knappen for elektrisk nødsenkning for å senke opphenget. Den elektriske nødsenkfunksjonen fungerer ikke hvis nødstoppknappen er aktivert.



Bruk den elektriske nødsenkningen bare hvis ingen andre knapper fungerer.



### Manuell nødsenkning

Bruk fastnøkkel i det nedre dekselet til å vippe av dekselet på kontrollpanelet ved to punkter.



Trykk inn nødstoppknappen før dekselet tas av. Roterende deler medfører en klemfare!

Bruk den medfølgende 17 mm fastnøkkel til å dreie kuleskrue moturs til brukeren er senket ned. Den manuelle nødsenkfunksjonen skal bare brukes når elektrisk nødsenkning ikke fungerer.



Hvis nødsenk blir brukt skal løfteren merkes med "ikke i bruk" og service skal bestilles!

# Elektronikk

**NO**

## Transport- og driftsbetingelser

### Transport og lagring

Ved langtidslagring anbefales det å aktivere nødstopknappen (trykket inn).

Løfteren kan lagres og transporteres ved temperaturer mellom -25 - 70 °C.

### Drift

Løfteren er konstruert for bruk ved vanlig romtemperatur (+5 til +40 °C).

Lufttrykk: 70 – 106 kPa

Relativ fuktighet: 15 - 93 %

Etter lagring eller transport i andre temperaturer må løfteren stå i et rom med egnet temperatur til den når sikker driftstemperatur.



**Medisinsk elektrisk utstyr krever spesielle forholdsregler med hensyn til elektromagnetisk kompatibilitet (EMK). Flyttbart eller bærbart radiokommunikasjonsutstyr kan påvirke det medisinske elektriske utstyret, og skal holdes minst 25 cm (10 tommer) fra elektronikken på løfteren.**

## Batteri

Molift Quick Raiser 205 leveres med et 24V SLA batteri eller et 25.6V LiFePO4 batteri, hvor begge varianter har en integrert lader.

SLA batteriet har en estimert livslengde på omtrent 500 ladesykluser.

LiFePO4 batteriet har en estimert livslengde på omtrent 2000 ladesykluser



Lad batteriet når du mottar det, og deretter hvert halvår, for å unngå batterisvikt.



Batterienerne må kastes som spesialavfall ifølge gjeldende bestemmelser. Skal ikke kastes som restavfall






## Batteri- og serviceindikator

	Skrunøkkelsymbol/ serviceindikator
	Batterisymbol/ batteriindikator

Det elektriske systemet har en strømsparefunksjon som slår av det elektriske systemet fem minutter etter siste betjening. Alle indikatorer slukkes. Systemet aktiveres ved å trykke på en av betjeningsknappene

### Batteriindikator på kontrollpanel

Når batteriindikatoren lyser gult, har løfteren tilstrekkelig strøm igjen til én fullstendig løftesyklus med maks. belastning. Når batterinivået blinker gult, er det bare mulig å senke løftearmen.

<i>Batteriindikator</i>		<i>Batterinivå</i>
	Grønn	80% eller mer
	Grønn	80 - 60%
	Grønn	60 - 40%
	Grønn	40 - 20%
	Gul eller gul blinking	20 % eller mindre (løfteren må lades)

## NO

## Elektronikk

## Serviceindikator (fra 01.01.2018)

Elektronikken i løfteren registrerer løftet vekt og antall løft. Etter en bestemt driftsperiode vises et signal om at det er behov for service.

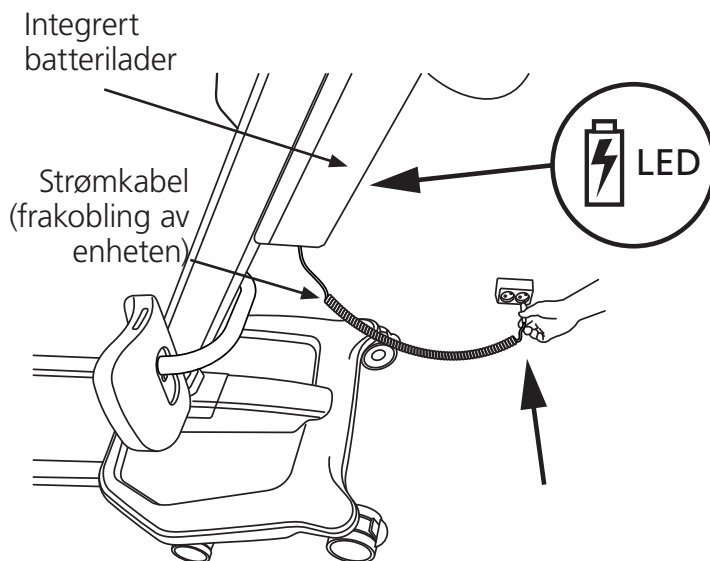
Service lampe	Modus
Lyser ikke	Ikke behov for service
Blinkende grønn	Bestill service
Gul	Behov for periodisk inspeksjon
Rød	Utfør service

## Serviceindikator (frem til 31.12.2017)

Elektronikken i løfteren registrerer løftet vekt og antall løft. Etter en bestemt driftsperiode vises et signal om at det er behov for service.

Service lampe	Modus
Lyser ikke	Ikke behov for service
Gul	Bestill service
Gul blinking	Behov for periodisk inspeksjon
Rød	Utfør service

## Lading



Løfteren har en integrert lader. Parker løfteren og koble den til en stikkontakt for å lade batteriet. LED-lampen bak på batteriboksen lyser rødt under lading.

LED-lampen på batteribokset lyser grønt når løfteren er ferdig ladet.

LED-lampene på kontrollpanelet vil lyse hvert 10. sekund under lading.



Ikke posisjoner løfteren på en måte som gjør det vanskelig å trekke ut strømkabelen



Løfteren må ikke lades på badet eller i rom med våte flater!



Trekk støpselet ut av stikkontakten før løfteren flyttes

## Forflytning

**NO**

Planlegg løfteoperasjonen på forhånd for å sikre at den foregår mest mulig trygt og uproblematisk. Husk å arbeide ergonomisk. Vurder risikoen og ta notater. Assistenten er ansvarlig for brukerens sikkerhet.

### Bruke seil

Det er viktig å teste seilet med den individuelle brukeren og i den tiltenkte løftesituasjonen.



Les bruksanvisningen for seilet før bruk.

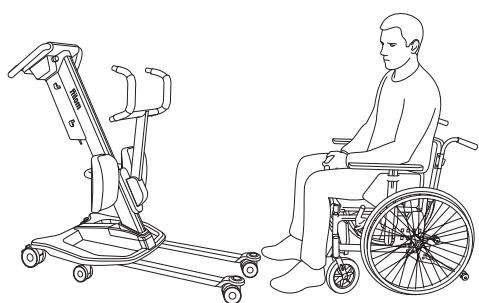


Ikke bruk seil som er skadet eller svært slitte.

### Seil fra andre produsenter

Bruk bare Molift-seil. Etac har intet ansvar for eventuelle feil eller ulykker som kan oppstå ved bruk av seil fra andre produsenter.

### Regulere benstøtten

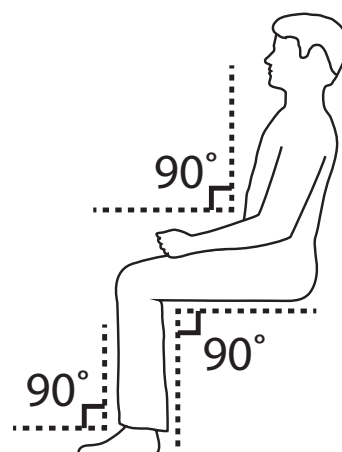
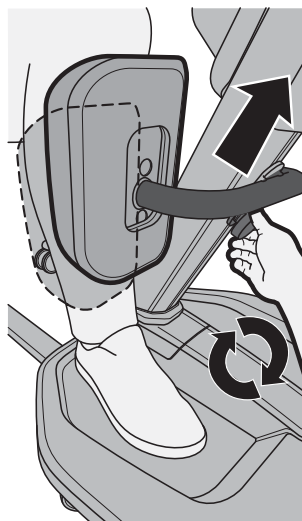


Plasser Quick Raiser 205 foran brukeren. Plasser føttene på fotplaten. Hjelp om nødvendig pasienten å plassere føttene riktig. Lås hjulene på løfteren før brukeren løftes. Optimal vinkel i brukerens ledd før løfting er 90 grader.

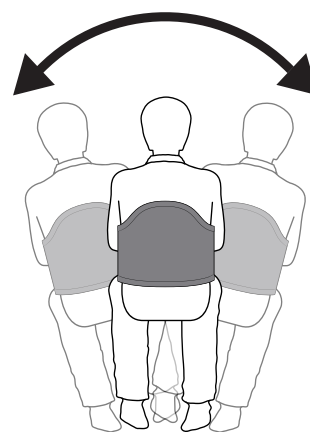


Pass på at høyden på benstøtten er riktig justert i forhold til den aktuelle brukeren. Toppen på putene bør være 2 cm under brukerens kne.

Bruk knotten til å justere benstøtten opp eller ned ved behov.

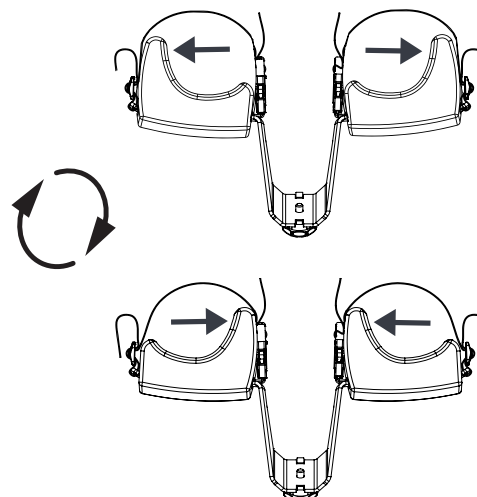


Sørg for at brukeren ikke lener seg frem eller svaier til sidene før og under løfting og senking av brukeren.



### Alternative kneputer med stropper

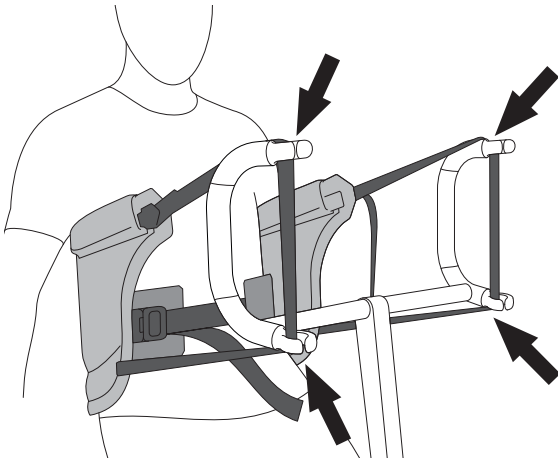
Alternative kneputer kan tas av og vendes 180 grader for økt støtte på enten innside eller utside av brukerens ben.



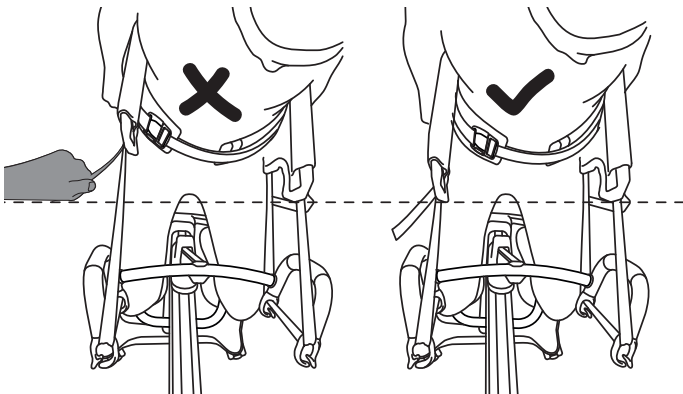
NO

## Forflytning

### Bruke 4-punkts løftearm



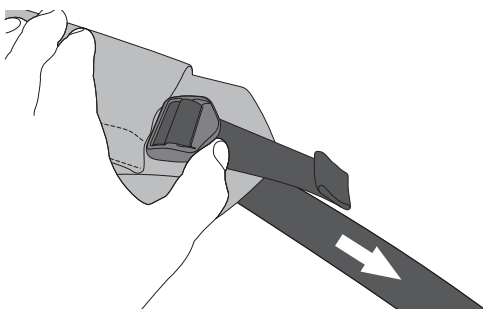
Fest seilet til løftearmen ved å føre stroppen inn i alle 4 krokene.



Trekk i den løse stroppen for å justere stropplengden. Pass på at begge sider har samme lengde.

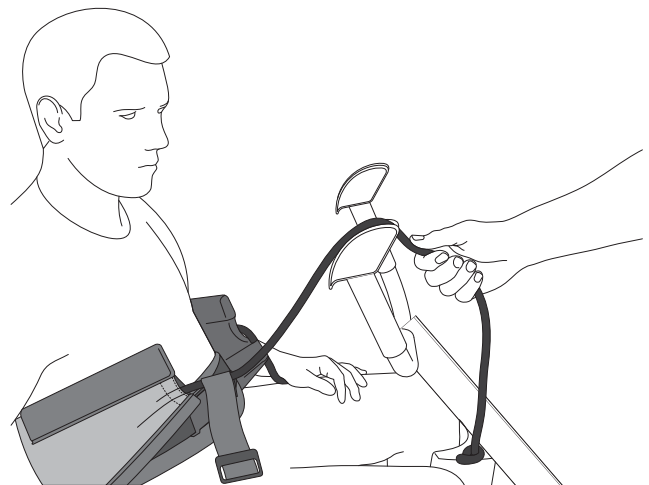
Pasientens vekt sørger for at stroppen låses fast i løftearmen. Brukeren må lene seg litt bakover under løfting, og om mulig holde seg fast i håndtakene.

### Fjerne seilet



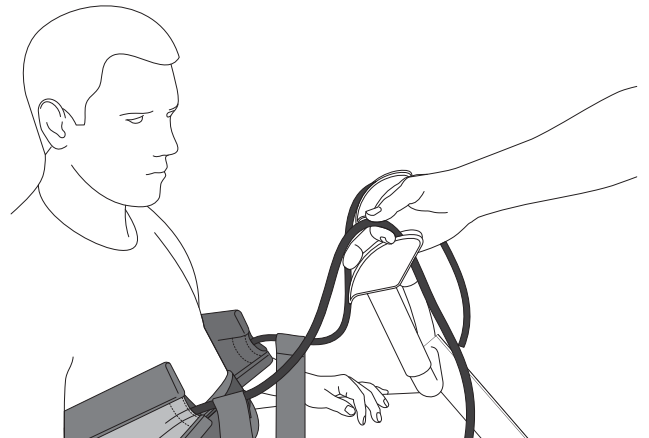
Løsne stroppen igjen ved å vinkle spennen og trekke ut stroppen.

### Bruke 2-punkts løftearm



På 2-punkts løftearm festes tauene til løftearmen ved å stramme dem fra oversiden og trekke dem inn i taufestene.

### Fjerne seilet



Løsne båndet ved å føre fingrene langs tauet bort fra pasienten.



RgoSling Active kan bare brukes med 4-punkts oppheng. RgoSling Stand Up kan bare brukes med 2-punkts oppheng.

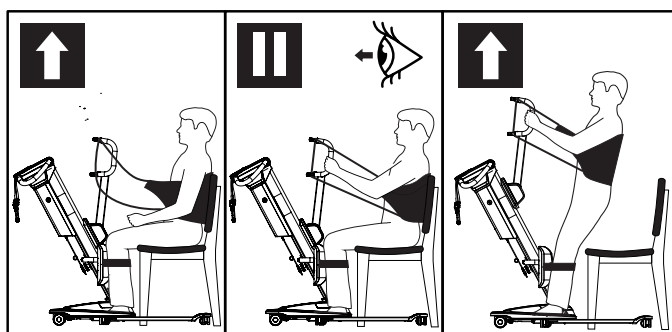
## Forflytning

**NO**

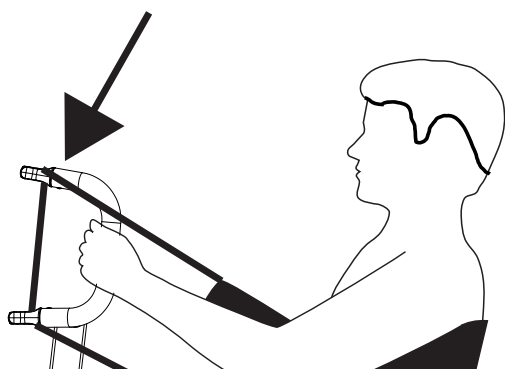
### Løfting/senking

Stå ved siden av personen du løfter når brukeren flyttes. Kontroller at armer og ben ikke kommer i veien for sete, seng osv. Oppretthold øyekontakt med brukeren, slik at vedkommende føler seg trygg.

Om mulig: Fell ut hjulunderstellet til full bredde før løftet, ved å bruke knappen for justering av understellsbredde på håndkontrollen.



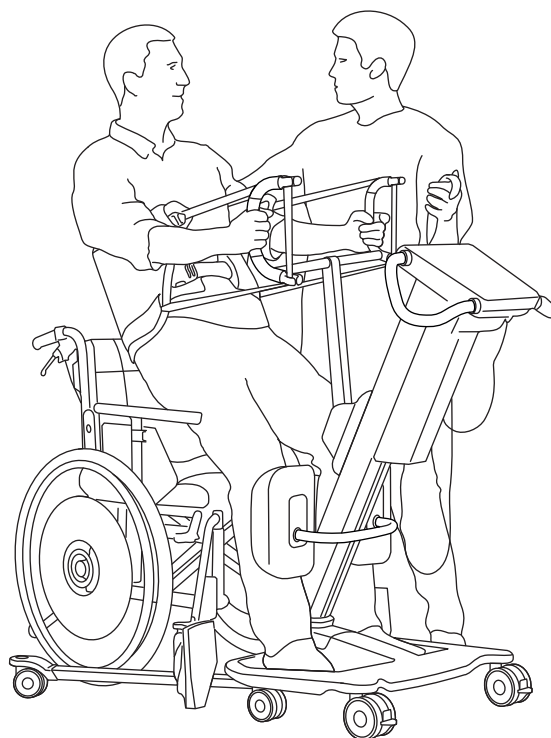
1. Kontroller at seilet sitter som det skal rundt brukeren og at stroppløkkene er festet riktig til krokene på opphenget.
2. Kontroller at brukeren har begge føttene godt plassert på fotplaten på løfteren.
3. Stram opp seilstroppene uten å løfte brukeren. Kontroller at begge løkkene på seilet er riktig festet, for å unngå at brukeren glir eller faller.
4. Kontroller at beltespennen sitter som den skal
5. Løft brukeren til stående stilling, og stram og juster seilet om nødvendig.



Sørg for at brukerens hender er plassert på riktig måte, slik at løfteselene ikke klemmer hendene og fingrene til brukeren.

### Forflytning

Løft pasienten forsiktig til bakenden går klar av setet, og stram beltet. Lås opp hjulene på løfteren og flytt pasienten til neste sted.



Vær forsiktig for å unngå kollisjon med møbler, vegger, dører osv. under forflytning.



Løfteren skal ikke brukes til å løfte eller flytte brukere på skrått underlag.

Unngå tykke tepper, høye dørterskler, ujevne overflater eller andre gjenstander som kan blokkere hjulene. Løfteren kan bli ustabil hvis den tvinges over slike hindringer, noe som øker risikoen for å velte.

Løfteren skal bare brukes til forflytning over korte avstander. Den er ikke en erstatning for rullestol eller lignende.

NB! Hjulene på gjenstanden som brukeren løftes fra eller til, må være i låst stilling.

NO

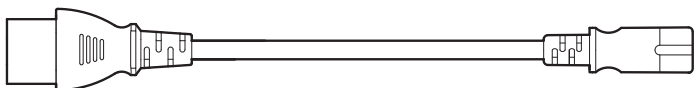
## Tilbehør

(Anbefalt) tilleggsutstyr og tilbehør til Molift Quick Raiser 205.

## Tilbehør

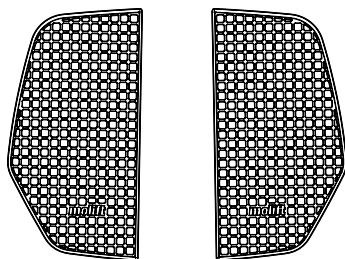
Skjøteledning

Art.nr.: 2920117



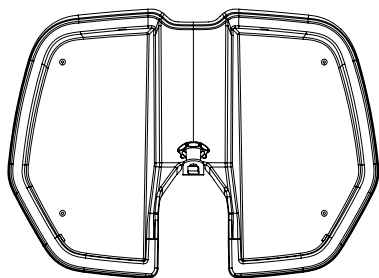
Antiskli Innlegg sett for fotbrett

Art.nr.: 2920151



Fotbrett, forhøyet 10 cm

Art.nr.: 2910065



Komplett sett med brakett og store kneputer

Art.nr.: 2910056

Store kneputer

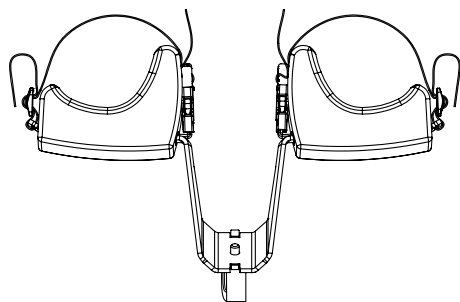
Art.nr.: 2910077

Komplett sett med brakett og små kneputer

Art.nr.: 2910059

Små kneputer

Art.nr.: 2910076

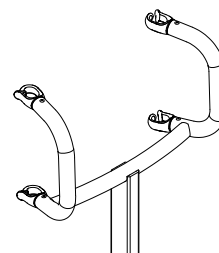


## Løftearm og seil

4-punkts løftearm:

Quick Raiser Active løftearm

Art.nr.: 2910060



Rgosling Active

Art.nr.: 1720910

Art.nr.: 1720920

Art.nr.: 1720930

Art.nr.: 1720940

Art.nr.: 1720950

Størrelse XS

Størrelse S

Størrelse M

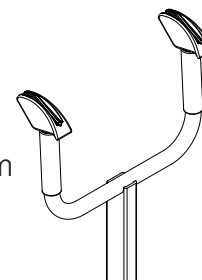
Størrelse L

Størrelse XL

2-punkts løftearm:

Quick Raiser Stand Up løftearm

Art.nr.: 2910061



Rgosling Stand Up

Art.nr.: 1720710

Art.nr.: 1720720

Art.nr.: 1720730

Art.nr.: 1720740

Art.nr.: 1720750

Størrelse XS

Størrelse S

Størrelse M

Størrelse L

Størrelse XL

Rgosling Stand Up Padded

Art.nr.: 1720810

Art.nr.: 1720820

Art.nr.: 1720830

Art.nr.: 1720840

Art.nr.: 1720850

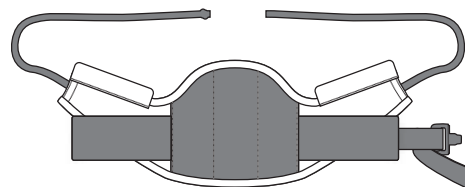
Størrelse XS

Størrelse S

Størrelse M

Størrelse L

Størrelse XL



## Vedlikehold

**NO**

### Rengjøring og desinfeksjon

Vaskes regelmessig. Rengjør overflater med en fuktig klut og et egnet pH-nøytralt rengjøringsmiddel. Ikke bruk løsemidler eller sterke væsker. Det kan skade løfterens overflater. Ved nødvendig desinfeksjon: bruk isopropylalkohol. Unngå slipende rengjøringsprodukter.

- Fjern dekselet på løftearmen og rengjør under.
- Fjern om nødvendig benstøtten, slik at den kan rengjøres med rennende vann.
- Fjern hår og lo fra hjulene, og kontroller at hjulene roterer fritt.

Rengjør kontakt og håndkontroll med isopropylalkohol for å fjerne fett og smuss om nødvendig. Kontroller nødstoppp funksjonen etter rengjøring. Løfteren skal ikke utsettes for rennende vann.



Pass på at etikettene ikke blir skadet eller løsner under rengjøring.

### Rekondisjonering

Følg prosedyren for rengjøring og montering, utfør periodisk inspeksjon og bruk sjekklisten etter montering for å rekondisjonere løfteren.

### Gjenvinning

Se "Instruksjoner for gjenvinning" for riktig kassering av produktet. Se [www.etac.com](http://www.etac.com).

### Reservedeler

En liste over reservedeler er tilgjengelig på forespørsel.

## Periodisk inspeksjon

### Periodisk inspeksjon, omfang

Periodisk inspeksjon er en visuell undersøkelse (særlig av løfterens bærende konstruksjon og løftemekanisme med festepunkter, bremses, betjening, sikkerhetsinnretninger og personløfterheter) ifølge den periodiske inspeksjonsrapporten for Molift Quick Raiser 205. Se [www.etac.com](http://www.etac.com).



Hvis det oppstår fare for sikkerheten, skal løfteren umiddelbart tas ut av bruk og merkes tydelig med "i ustand". Løfteren skal ikke brukes før den er reparert.

Ved periodisk inspeksjon skal personen som foretar inspeksjonen fylle ut inspeksjonsrapporten for Molift Quick Raiser 205. Inspeksjonsrapporten skal tas vare på av personen som foretar inspeksjonen. Dersom kontrollen avdekker defekter og skader, skal løfteren tas ut av bruk og merkes med «i ustand» til den er reparert. Etter den regelmessige kontrollen er gjennomført, tilbakestilles serviceindikatoren, se side 51.

Periodisk inspeksjon skal utføres minst én gang i året, eller oftere hvis det er påkrevd i lokale bestemmelser. Inspeksjonen skal utføres av servicepersonell som er autorisert av Etac. Kontakt Etac på [molift@etac.com](mailto:molift@etac.com) for opplæring og autorisasjon, eller for anbefaling av en godkjent servicepartner.

NO

## Feilsøking

Symptom	Mulig årsak/tiltak
Løftesøylen er ustabil	Låseboltene er ikke strammet eller løftesøylen står ikke riktig plassert i understellet / kontroller om søylen er riktig plassert i understellet og/eller stram boltene
Løfteren kan bare beveges én vei (opp eller ned) / bena kan bare beveges én vei (inn eller ut)	Feil på håndkontrollen / skift ut med alternativ styreenhet fra annen løfter og/eller ny håndkontroll
	Feil på elektronikken / kontakt den lokale servicerepresentanten
Løfteren beveger seg opp og/eller ned av seg selv / bena beveger seg av seg selv	Kortslutning mellom håndkontrollen og løfteren / rengjør kontaktene på håndkontrollen og understellet med sprit for å fjerne fett og smuss
	Håndkontrollen er defekt / skift håndkontrollen / kontakt den lokale servicerepresentanten
	Releene/elektronikken fungerer ikke som de skal / skift elektronikken/releene / kontakt den lokale servicerepresentanten
Løftearmen beveger seg ikke / bena beveger seg ikke	Utladet batteri / lad batteriet
	Nødstopp aktivert / drei medurs for å tilbakestille
	Håndkontroll frakoblet / koble til håndkontrollen igjen
	Håndkontrollen er defekt / skift håndkontrollen / kontakt den lokale servicerepresentanten
	Funksjonsfeil på elektronikken / kontakt den lokale servicerepresentanten
	Feil på motoren / kontakt den lokale servicerepresentanten
	Kontroller kontakten mellom søylen og understellet

# Dansk vejledning

**DA**

## Indhold

Molift Quick Raiser 205 .....	58
Personløfterens komponenter .....	58
Om Molift Quick Raiser 205 .....	58
Generelt.....	59
Overensstemmelseserklæring .....	59
Betingelser for anvendelse.....	59
Garanti.....	59
Produktidentifikation .....	59
Tekniske data .....	60
Samling.....	61
Batteri .....	61
Benstøtte .....	62
Løftesøjle og stel .....	62
Løftearm .....	63
Strømkabel.....	63
Betjeningshåndsæt .....	64
Tjekliste efter montering .....	64
Nulstilling af serviceindikator.....	64
Sådan anvendes Molift Quick Raiser 205..	65
Før anvendelse/dagligt tjek.....	65
Betjeningshåndsæt .....	65
Sikkerhedsanordninger.....	66
Styrehåndtag .....	66
Bremseser .....	66
Nødstop/nødsænkning .....	66
Elektronik.....	67
Transport- og driftsforhold .....	67
Batteri .....	67
Batteri- og serviceindikator.....	67
Opladning .....	68
Forflytning .....	69
Brug af sejl .....	69
Justering af benstøtte .....	69
Alternativ benstøtte med stropper.....	69
Brug af 4-punktsløftearm .....	70
Brug af 2-punktsløftearm.....	70
Løft.....	71
Forflytning.....	71
Tilbehør .....	72
Tilbehør.....	72
Løftearme og sejl.....	72
Vedligeholdelse .....	73
Rengøring og desinfektion .....	73
Istandsættelse .....	73
Genbrug.....	73
Reserve dele .....	73
Periodisk inspektion.....	73
Omfang af periodisk inspektion.....	73
Fejlfinding .....	74

## Vigtigt

Denne brugervejledning indeholder vigtige sikkerhedsinstruktioner og oplysninger om anvendelse af personløfteren og tilbehøret.

I vejledningen er brugeren den person, der bliver løftet.

Hjælperen er den person, der betjener personløfteren.



### Advarsel!

Dette symbol angiver vigtige oplysninger angående sikkerhed. Følg disse instruktioner nøje.

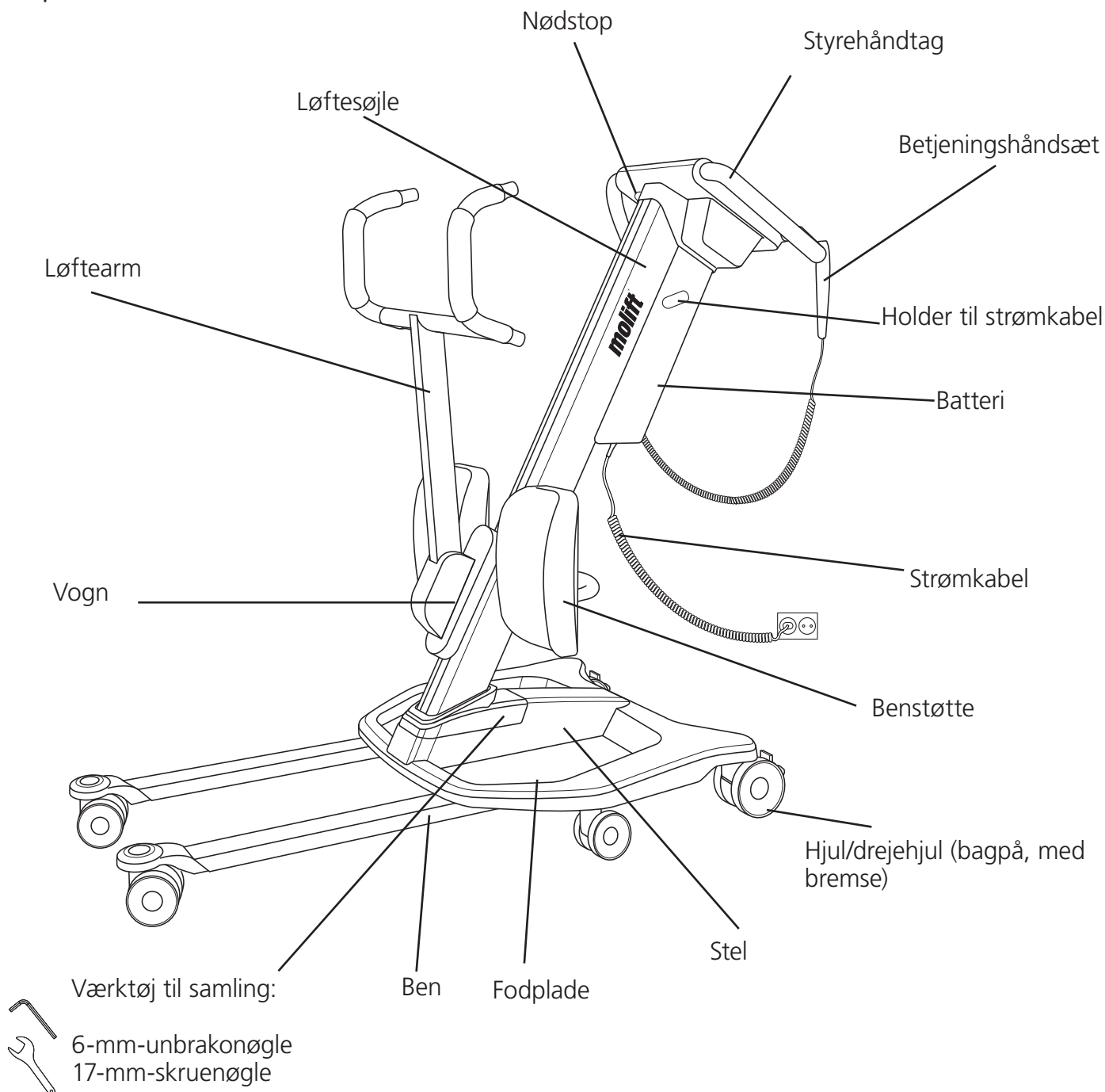


Læs brugervejledningen inden brug! Det er vigtigt, at du fuldt ud forstår indholdet i brugervejledningen, før du forsøger at bruge udstyret.

Download dokumentationen på [www.etac.com](http://www.etac.com) for at sikre, at du har den nyeste version.

*Fabrikantens overensstemmelseserklæring findes i den tekniske vejledning til Molift Quick Raiser (TM13001)*

## Komponenter:



## Om Molift Quick Raiser 205

Molift Quick Raiser 205 er en siddende-til-stående mobil personløfter, som er beregnet til at løfte og forflytte en person fra/til en stol, en kørestol eller et toilet ved hjælp af et sejl. Molift Quick Raiser 205 er beregnet til brugere, som kan følge instruktioner, har god stabilitet i overkroppen og kan bære vægten på mindst ét ben, men har brug for hjælp til at stå. Personløfterens facon samt løftebevægelsens geometri efterligner en persons naturlige bevægelsesmønster. Personløfteren er fremstillet i letvægtsmaterialer, har styrehjul

og en elektrisk motor, der drives af et batteri. Løfteren betjenes med betjeningshandsættet eller via kontrolpanelet på løfteren. Den har elektrisk indstillelige ben og en løftekapacitet på 205 kg (451 pund).

Den er ideel til plejehjem, men kan også bruges i private boliger og på plejehjem. Personløfteren må kun benyttes til forflytninger over korte afstande, herunder f.eks. imellem en stol og en seng eller til et badeværelse/toilet, og er ikke en erstatning for en kørestol eller lignende.

## Generelt

DA

### Overensstemmelseserklæring



Molift Quick Raiser 205 og det relaterede tilbehør, der er beskrevet i denne operatørvejledning, er CE-mærket iht. EU-rådets direktiv 93/42/EØF om medicinsk udstyr, klasse 1, og er blevet testet og godkendt af en tredjepart iht. standarderne IEC 60601-1, IEC 60601-1-2 og NS-EN ISO 10535:2021.

### Betingelser for anvendelse

Der er altid en vis risiko ved løft og flytning af en person, og det er kun uddannet personale, som må anvende det udstyr og tilbehør, der er beskrevet i denne brugervejledning.

### Modifikationer og anvendelse af komponenter fra andre producenter.

Vi anbefaler, at der udelukkende anvendes Molift-komponenter og -reservedele fra Etac. Overensstemmelseserklæringen vil ikke længere være gyldig, og Etacs garantiforpligtelse bortfalder, hvis der foretages nogen form for modifikationer på produktet. Etac er ikke ansvarlig for fejl eller uheld, som måtte opstå ved brug af komponenter fra andre producenter.



Kun certificeret personale må åbne løfteanordningen eller tilbehøret for at udføre service eller reparation. Der er risiko for personskade fra roterende dele og elektrisk stød.



Personløfteren må ikke betjenes af den person, der bliver løftet.

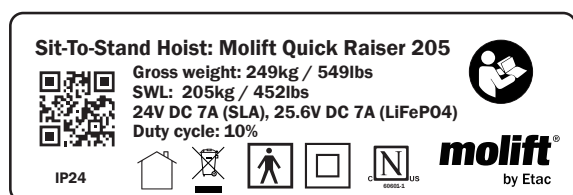
### Garanti

2 års garanti på fejl i de fabrikerede dele og materialerne i vores produkter.  
Se [www.etac.com](http://www.etac.com) for vilkår og betingelser

## Produktidentifikation

### Produktmærkat/GS1-128

Stregkodemærkatene viser EAN-nummer, serienummer og produktionsdato.



Type BF patientdel



Opladningsindikator



Type BF patientdel



Symbol for dobbelt isolering



Se brugervejledning



Producent



Kun til indendørs brug



Produktionsdato



Må ikke bortskaffes med almindeligt affald



Katalognummer



Nødsænkning



Serienummer



Serviceindikator



Medicinsk udstyr



Batteriindikator

### Advarselsmærkater og -symboler

Symboler, som bruges i produktet, beskrives her nærmere:

**Sikker arbejdsbelastning (SWL, Safe Working Load):**

205 kg (451 pund)

**Enhedens vægt:**

Enhedens samlede vægt: 44,5 kg/98 pund

Stel: 17 kg/37,5 pund

Løftesøjle: 19 kg/41,9 pund

Benstøtte: 3,5 kg/7,7 pund

4-punktsløftearm: 5 kg/11 pund

**Batteri:**

SLA 24 V 2,9 Ah

LiFePO4 25,6 V 2,4 Ah

**Batterioplader:**

Indgangseffekt: 100-240 VAC,

50-60 Hz, maks 0,35 A

Udgangseffekt: 29,4 VDC, 0,5 A

**Batteriopladningstid:**

5 timer

**Nominel ydeevne:**

100 løft ved: 75 kg og 500 mm

**Løftehastighed:**

35 mm/sek./ (1,4 tommer/sek.)

med 75 kg (165 pund) belastning

**Beskyttelsesklasse:**

IP24 (komplet personløfter).

Objektet, en sondekugle med en diameter på 12,5 mm, må ikke trænge gennem materialet. Vand, der sprøjter mod kapslingen fra en hvilken som helst retning, må ikke have nogen skadelig virkning.

**Betjeningskraft for knapper:**

Knapper på kontrolpanel: < 5 N

Knapper på håndsættet: < 5 N

**Materiale:**

Aluminium, plast, stål

**Motor:**

Løftemotor: 24 V DC

Benspredningsmotor: 24 V DC

**Drejediometer:**

1144 mm (57 tommer)

**Forventet levetid:**

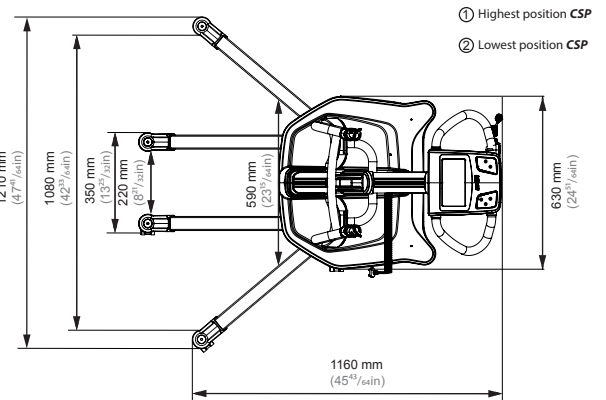
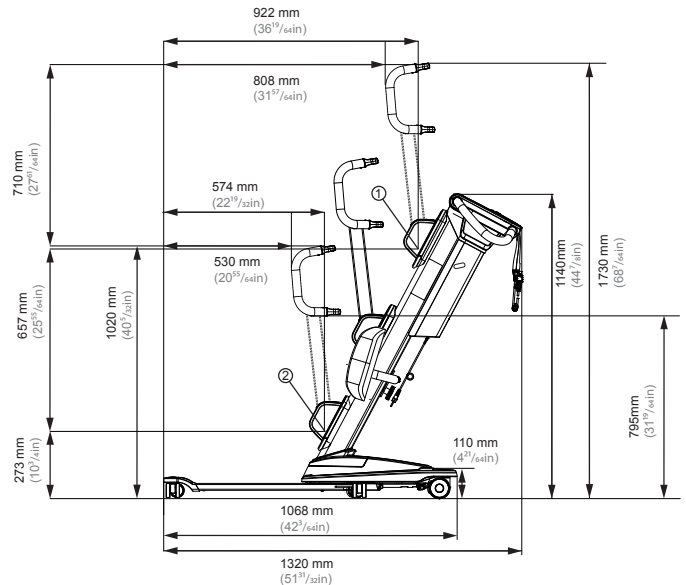
Personløfteren og tilbehøret har en forventet levetid på 30.000 cyklusser eller 10 år.

**Anvendte dele:**

Sejl

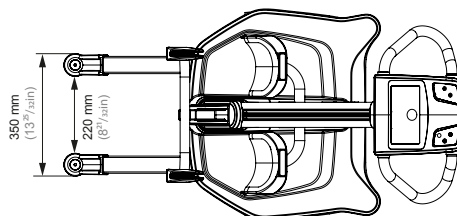
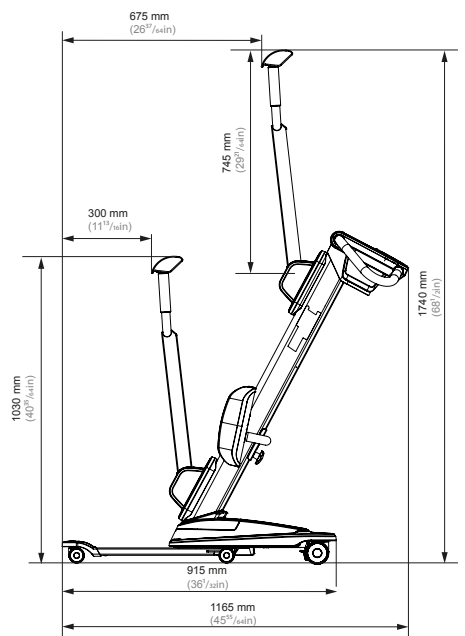
Fodhvilere

Vippearmhåndtag



① Highest position CSP  
② Lowest position CSP

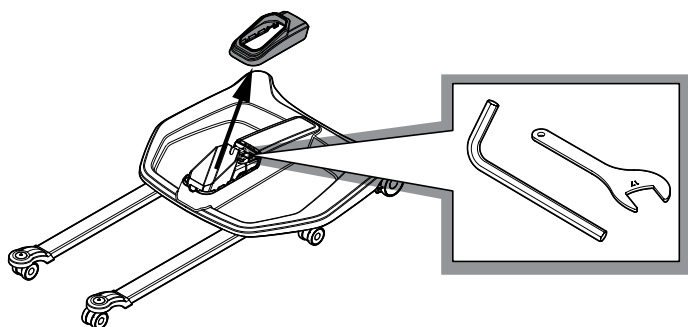
**QuickRaiser 205 FL (Fixed Legs):**



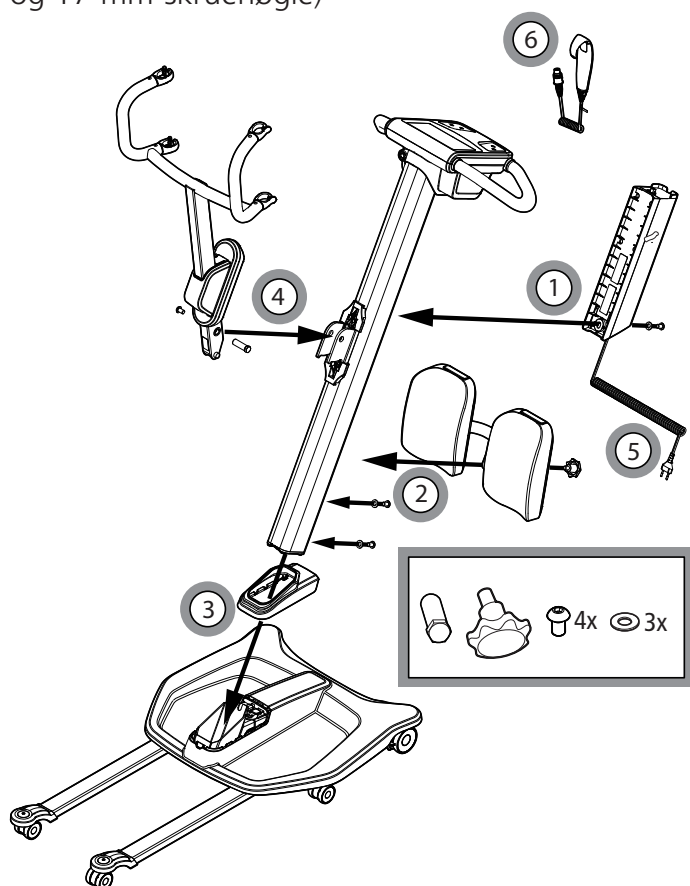
## Samlevejledning

DA

## Før samling



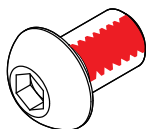
Find samleværktøjet frem (5-mm-unbrakonøgle og 17-mm-skruenøgle)



1. Batteri
2. Benstøtte
3. Søjle i stedet
4. Løftearm
5. Strømkabel
6. Betjeningshåndstæt

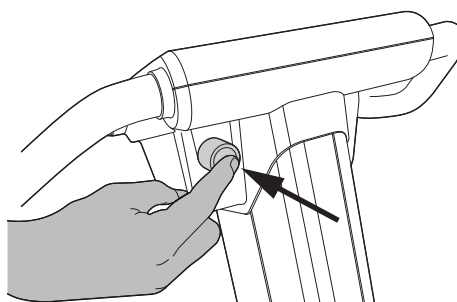


Personløfteren må kun samles af uddannet personale.

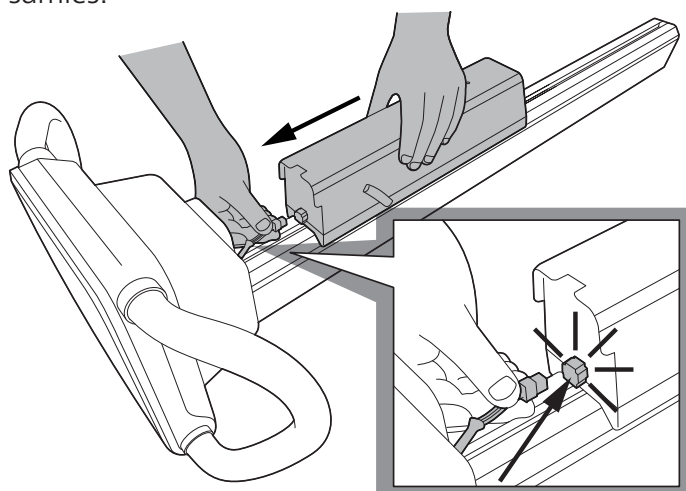


Skruer med formonteret gevindlås må kun anvendes én gang. Reservedel art.nr. 2920075

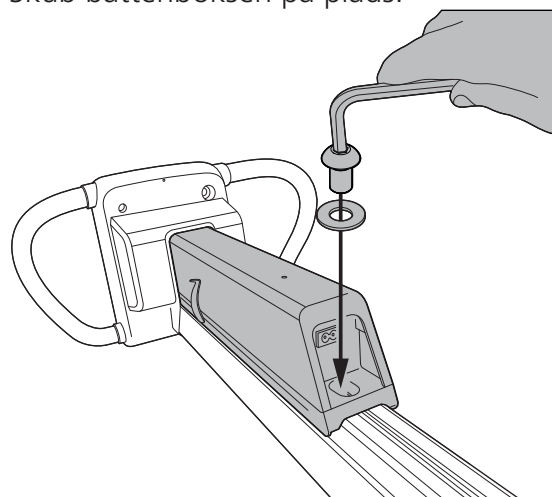
## 1 – Batteri



Tryk nødstopknappen ind, før personløfteren samles.



Anbring søjlen på en vandret overflade. Sørg for, at nødstopknappen er trykket ind. Forbind ledningen fra kontrolpanel med batteriboksen. Skub batteriboksen på plads.

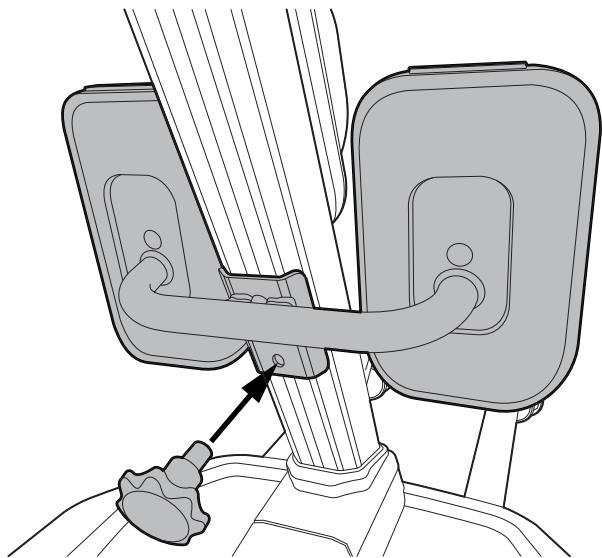


Brug en unbrakonøgle til at spænde skruen i urets retning. NB! Husk at sætte spændeskiven på.

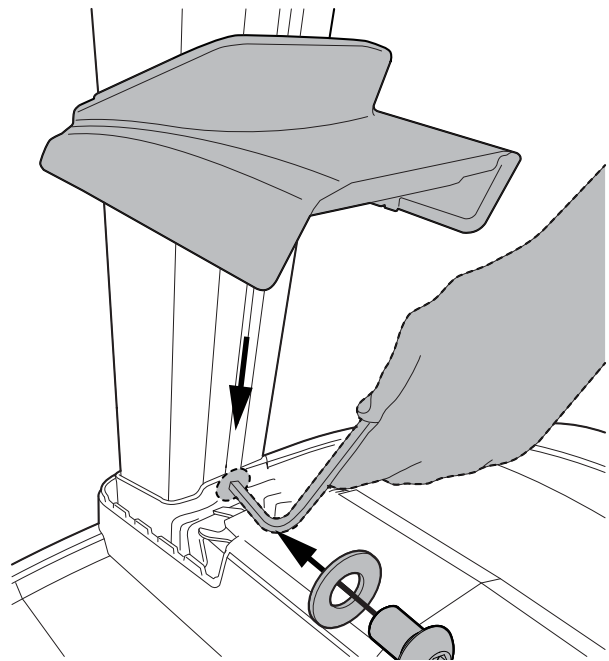


Kontrollér, at batteriet er korrekt fastgjort, før søjlen monteres i stedet.

## 2 – Benstøtte

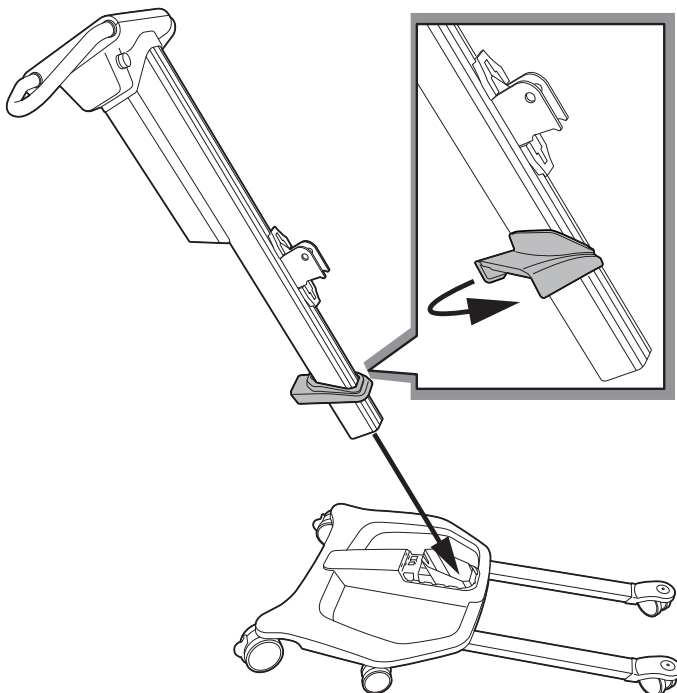


Monter benstøttebeslaget.

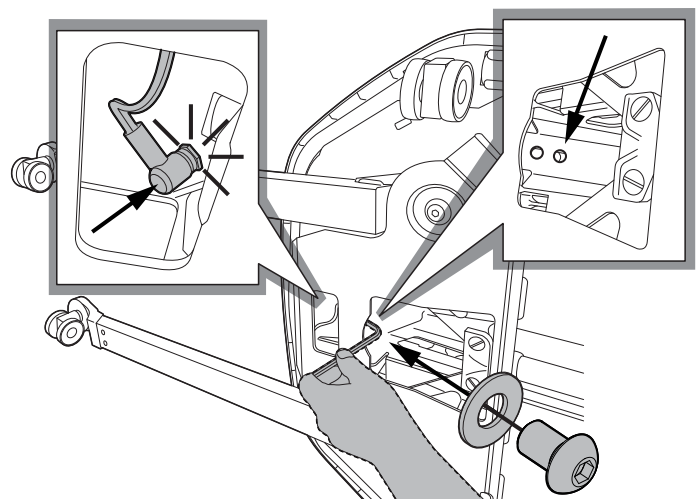


Monter skruen med spændeskive på søjlen. Skub skruen ned til stellet, og spænd skruen.

## 3 – Løftesøjle og stel



Anbring afdækningen på løftesøjlen. Drej afdækningen sidelæns, så den bliver på søjlen. Sæt løftesøjlen ind i stellet.

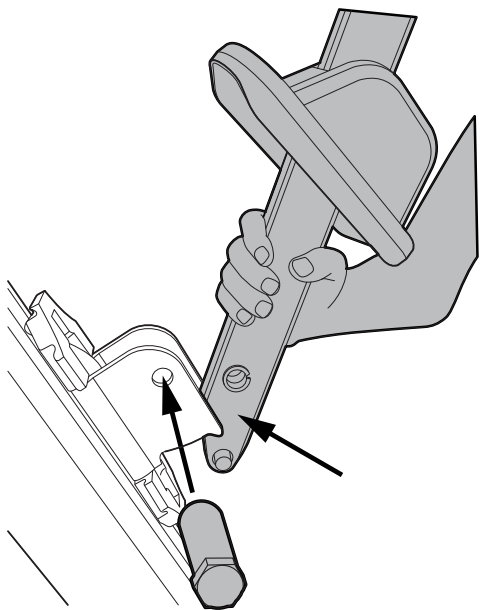


Vend personløfteren om på siden. Sæt skruen og spændeskiven i det øverste hul, og spænd skruen. Forbind kablet mellem søjlen og stellet. (NB! Kablet kan IKKE anvendes til Molift Quick Raiser 205 FL).

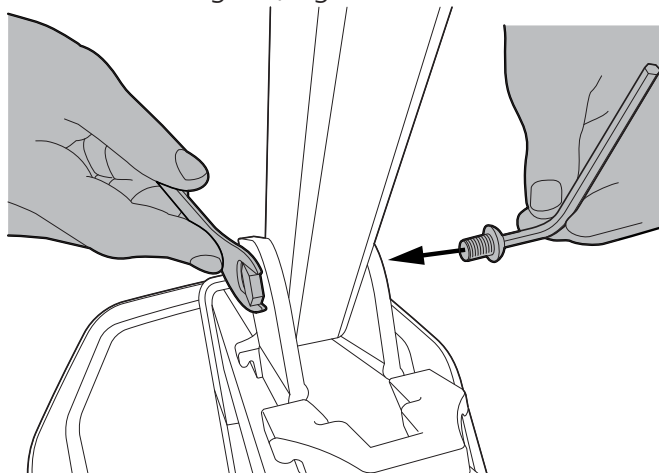


Skruerne sikrer, at søjlen ikke kan trækkes opad. Personløfteren må ikke anvendes, medmindre begge skruer er skruet sikkert fast.

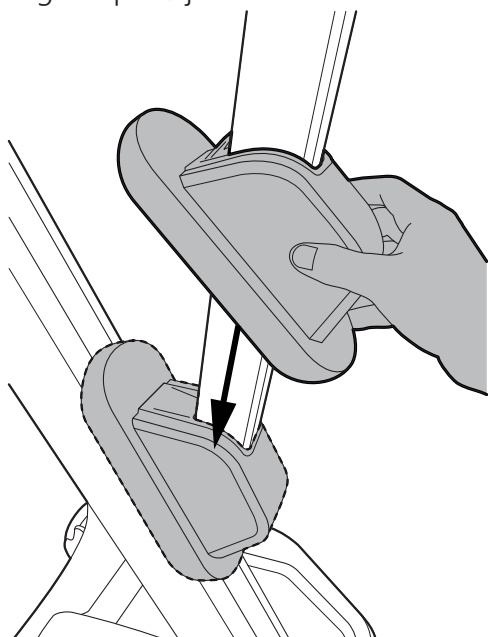
## 4 – Løftearm



Anbring afdækningen på løftearmen. Anbring løftearmen i vognen, og sæt bolt i.

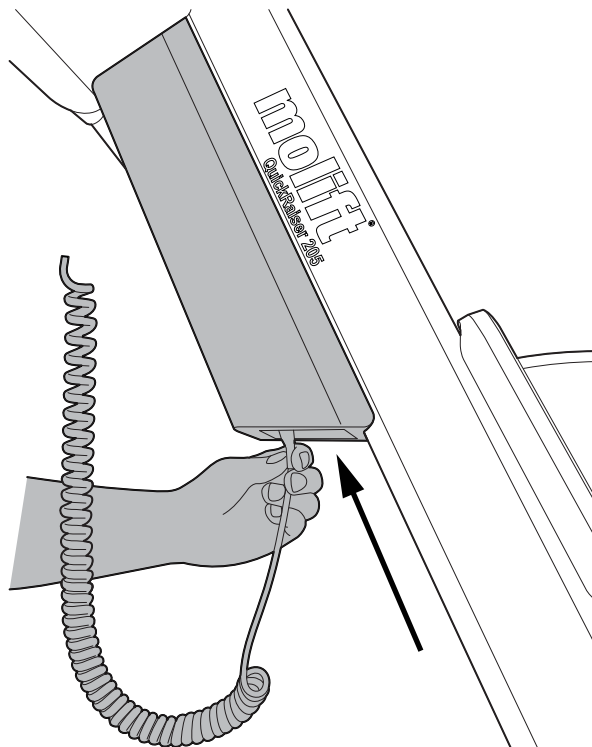


Sæt bolt i, og spænd skruen ved hjælp af 17-mm-skruenøglen og en 6-mm-unbrakonøgle. Kontrollér, at løftearmen er korrekt fastgjort til vognen på søjlen.

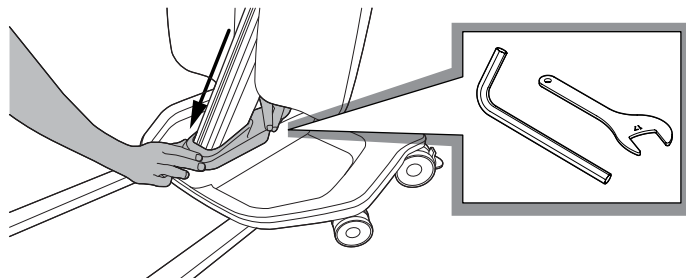


Monter afdækningen på vognen

## 5 – Strømkabel

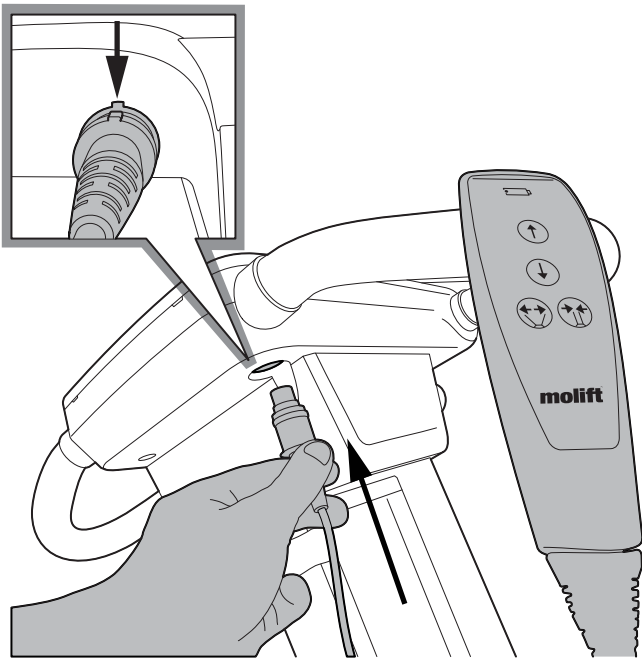


Tilslut strømkablet i bunden af batteriboksen.



Monter afdækningen på stellet. Husk at lægge værktøjet på plads igen.

## 6 – Betjeningshåndsat



Forbind betjeningshåndsettet med kontrolpanelet.



Begynd ikke at anvende personløfteren, før du har gennemført kontrollen ved hjælp af tjeklisten efter samling.

## Tjekliste efter samling

Brug denne tjekliste til at bekræfte, at personløfteren er korrekt samlet og kan betjenes sikkert.



Efter samling skal nødstopet nulstilles ved at dreje knappen med uret. Serviceindikatoren skal nu lyse gult. Når tjeklisten er gennemgået, nulstilles serviceindikatoren som beskrevet i samlevejledningen.

- Kontrollér, at benstøtten og løftearmen er korrekt fastgjort, og at der ikke er nogen løse dele på personløfteren.
- Kontrollér, at løftesøjlen er korrekt fastgjort til stellet – med begge skruer fastspændt.
- Forbind personløfteren til strømuttaget for at kontrollere, at den integrerede batterioplader virker. Oplad batteriet, hvis det er nødvendigt.
- Kontrollér, at personløfteren ikke har synlige skader eller andre fejl.
- Udfør ét løft med en belastning på 50-100 kg NB! Personløfteren kan ikke betjenes, mens den oplader.

## Nulstilling af serviceindikator

Hvis service-LED'en lyser gult, skal du kontakte din Molift-servicepartner med henblik på at træffe de nødvendige tiltag.

Serviceindikatoren begynder at lyse gult igen, når der er gået 12 måneder og det dermed er på tide at udføre det periodiske eftersyn.

# Sådan anvendes Molift Quick Raiser 205

DA

## Generelle sikkerhedsforanstaltninger

Brug kun tilbehør og sejl, der er justeret, så de passer til brugeren, typen af handicap, størrelsen, vægten og typen af flytning.

## Forhold mellem arbejdspauser/driftsperiode.

Molift Quick Raiser 205 må ikke køre i mere end to minutter ad gangen (med maksimal belastning). Herefter skal der holdes en pause på mindst 18 minutter. Driftsperiode 10 % (intermittens iht. standarden ISO-EN 10535).

## Sikker arbejdsbelastning

Personløfteren er mærket med sikker arbejdsbelastning (SWL)



Hvis den maksimale belastning (SWL) på personløfterens ophæng og kropstøtteenheden er forskellige, skal der altid bruges den laveste maksimale belastning



Molift-løftere må kun anvendes til løftning af personer. Anvend aldrig personløfteren til at løfte eller flytte nogen form for genstande.

## Før anvendelse/dagligt tjek

Inspektion, som skal udføres dagligt eller før anvendelse:

- Kontrollér, at personløfteren ikke har synlige skader, fejl eller skævheder
- Kontrollér, at løftearmsforbindelse, benstøtte, batteriboks og alle dele, som kan afmonteres, er korrekt tilsluttet og fastgjort
- Kontrollér nødstopknappen
- Kontrollér indikatoren for batteriniveau og service
- Kontrollér, at sejlstroppen ikke har synlige skader eller trevler

- Kontrollér, at hjulene ruller frit, og at personløfteren er let at manøvrere med
- Testkør personløfterens driftsfunktioner, og kontrollér, at personløfteren ikke afgiver unormale lyde



Hvis der er fejl eller defekter, skal personløfteren tages ud af drift og markeres med "ude af drift"

## Betjeningshåndsat

Betjeningshåndsettet har fire knapper til at løfte og sænke løftearmen og til at føre benspredningsmekanismen ind og ud.

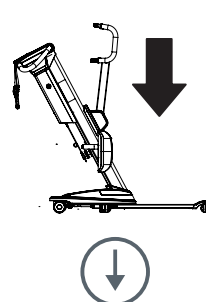
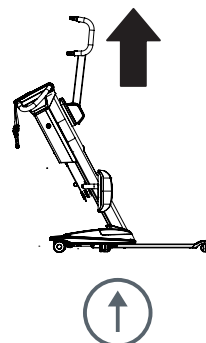
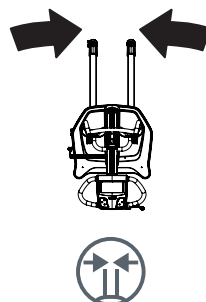
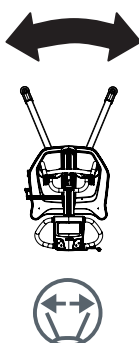
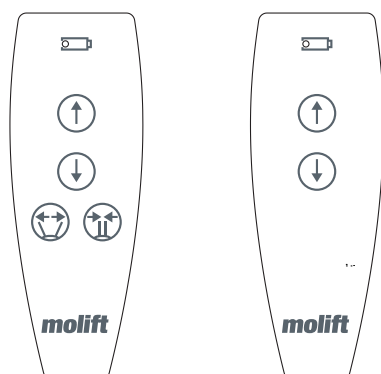
Betjeningshåndsettet har en indikator, der lyser, når batteriet er ved at løbe tør for strøm, og personløfteren skal genoplades

Betjeningshåndsat med fire knapper:

Varenr. 2910010

Betjeningshåndsat med to knapper:

Varenr. 2910011



## Løftearm – op/ned

OBS! Personløfteren er mest ustabil i øverste position.

## Ben – ind/ud

OBS! Spredning af benene giver øget stabilitet og bedre adgang til stol eller toilet.

## Sikkerhedsanordninger

Molift Quick Raiser 205 er udstyret med flere sikkerhedsanordninger, som har til formål at forebygge skader på personer og udstyr i tilfælde af forkert brug eller fejl.

Personløfteren har en overbelastningssensor, som forhindrer betjening af personløfteren, hvis belastningen overskrider SWL.

Ophænget er hængslet for at forebygge, at brugeren kommer i klemme i armen og ophænget.

## Styrehåndtag

Brug styrehåndtagene til at flytte personløfteren.

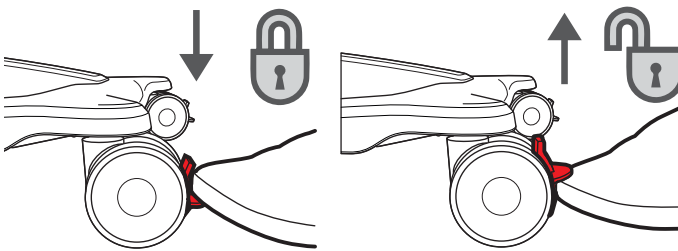


Der må ikke skubbes til eller trækkes i brugeren, løftesøjlen eller løftearmen. Det kan forårsage stabilitetsproblemer, og personløfteren kan vælte.

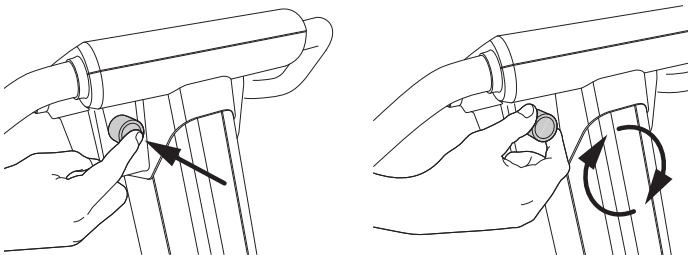
Personløfteren må kun anvendes til forflytning over korte afstande. Den er ikke en erstatning for en kørestol eller lignende.

## Bremser

De bageste hjul/styrehjul er forsynet med klikbremser. Træd på bremserne for at låse dem. Skub op ad eller træd på den øverste del af bremsen for at låse dem op.

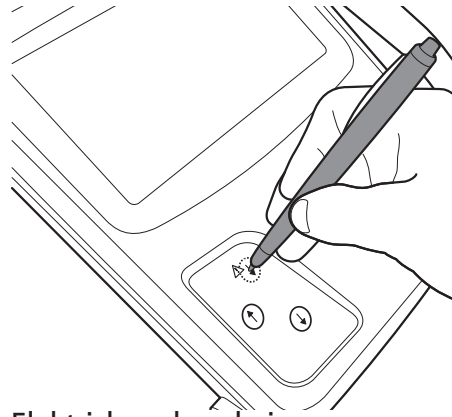


## Nødstop/nødsænkning



### Nødstop

Nødstopknappen afbryder strømmen, når den trykkes ind. Drej i urets retning for at nulstille.

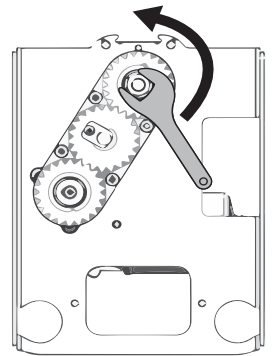
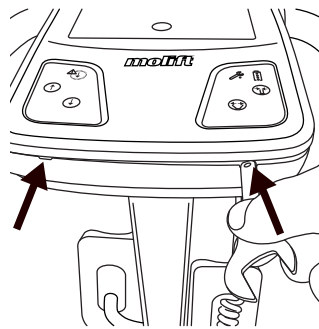


### Elektrisk nødsænkning

Brug en pen eller en spids genstand til at trykke og holde på knappen til elektrisk nødsænkning for at sænke ophænget. Den elektriske nødsænkning fungerer ikke, når nødstop er aktiveret.



Brug kun den elektriske nødsænkning, hvis ingen andre knapper virker.



### Manuel nødsænkning

Brug skruenøglen, der er placeret i bundafdækningen, til at åbne kontrolpanelets front ved de to punkter.



Tryk nødstopknappen ind, før afdækningen fjernes. Roterende dele udgør en klemfare!

Brug 17-mm-skruenøglen til at dreje kugleskruen mod urets retning, indtil brugeren er sænket ned på sikker vis. Den manuelle nødsænkning kan kun anvendes, hvis den elektriske nødsænkning ikke virker.



Hvis der anvendes nødsænkning, skal personløfteren markeres med "ude af drift", og der skal bestilles serviceeftersyn.

# Elektronik

DA

## Transport- og driftsforhold

### Transport og opbevaring

Ved længere tids opbevaring anbefales det, at nødstopknappen aktiveres (trykkes ind). Personløfteren kan opbevares og transporteres ved temperaturer på mellem -25 og 70 °C.

### Drift

Personløfteren er konstrueret til anvendelse ved rumtemperatur (+5 til +40 °C).

Lufttryk: 70-106 kPa

Relativ fugtighed: 15-93 %

Ved opbevaring eller transport ved andre temperaturer skal personløfteren opbevares i et rum med en passende temperatur, indtil den opnår en sikker driftstemperatur.



Medicinsk elektrisk udstyr kræver særlige forholdsregler angående elektromagnetisk kompatibilitet (EMC). Bærbart eller mobilt radio-kommunikationsudstyr kan påvirke det medicinske elektriske udstyr og skal holdes i en afstand på mindst 25 cm (10 tommer) fra personløfterens elektronik.

## Batteri

Molift Quick Raiser 205 kan leveres med et 24 V SLA-batteri eller et 25,6 V LiFePO4-batteri, begge med integreret oplader.



SLA-batteriet har en forventet levetid på ca. 500 ladecykler.

LiFePO4-batteriet har en forventet levetid på ca. 2000 ladecykler.



Batterier skal bortskaffes som særligt affald iht. lokal lovgivning og lokale regler. Må ikke bortskaffes med almindeligt affald






## Batteri- og serviceindikator

	Skruenøglesymbol/ serviceindikator
	Batterisymbol/ batteriindikator

Det elektriske system har en strømsparefunktion, der slukker for det elektriske system fem minutter efter seneste aktivitet. Alle indikatorer slukker. Systemet aktiveres, når der trykkes på en af betjeningsknapperne.

### Batteriindikator på kontrolpanel

Når flerniveaubatteriindikatoren lyser gult, har personløfteren tilstrækkelig strøm til én fuld løftecyklus med maksimal belastning. Når batteriet blinker gult, er det kun muligt at sænke løftearmen.

<i>Batteriindikator</i>		<i>Batteriniveau</i>
	Grøn	80 % eller derover
	Grøn	80-60 %
	Grøn	60-40 %
	Grøn	40-20 %
	Lyser gult eller blinker gult	20 % eller derunder (genoplad personløfter)

## Serviceindikator

Personløfterens elektronik registrerer de løftede belastninger og antallet af løft. Efter en vis driftsperiode afgives der et signal for at angive, at service er påkrævet.

### Serviceindikator (fra 01.01.2018)

Serviceindikator	Tilstand
Lyser ikke	Ikke behov for service
Blinker grønt	Bestil service
Gul	Periodisk inspektion påkrævet
Rød	Udfør service



Sørg for at placere personløfteren på en måde, så det er nemt at trække strømkablet ud af stikket.



Oplad ikke personløfteren i et badeværelse eller i et rum med våde flader!

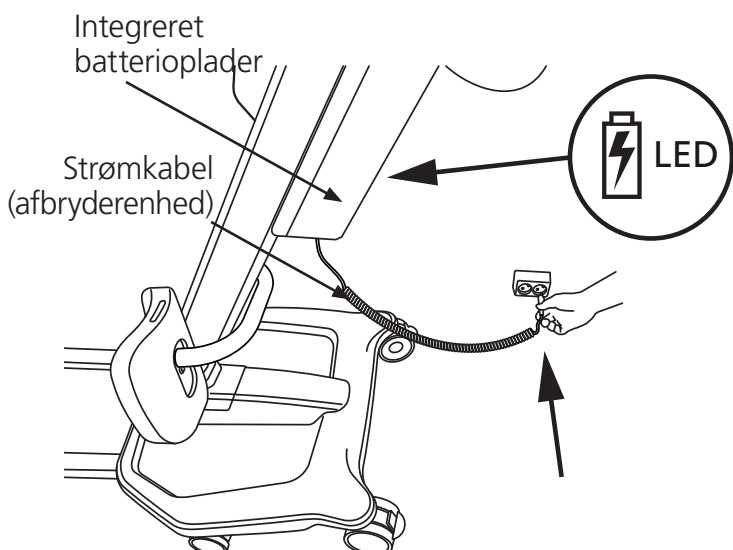


Tag strømkablet ud af vægstikket, før personløfteren flyttes.

### Serviceindikator (frem til 31.12.2017)

Serviceindikator	Tilstand
Lyser ikke	Ikke behov for service
Gul	Bestil service
Blinker gult	Periodisk inspektion påkrævet
Rød	Udfør service

## Opladning



Personløfteren har en integreret oplader. Parker personløfteren, og sæt den i en stikkontakt for at oplade batteriet. LED-lampen på bagsiden af batteriet lyser rødt under opladning. LED-lampen på batterikassen lyser konstant grønt, når personløfteren er fuldt opladet. Under opladning blinker LED-lamperne på kontrolpanelet hvert 10. sekund.

## Forflytning

DA

Planlæg løfteoperationen på forhånd for at sikre, at den foregår så sikkert og ubesværet som muligt. Husk at arbejde ergonomisk korrekt. Vurder risiciene, og tag notater. Hjælperen er ansvarlig for brugerens sikkerhed.

### Brug af sejl

Det er vigtigt, at sejlet er blevet afprøvet på den enkelte bruger og til den tilsigtede løftesituation.



Læs brugervejledningen, før du bruger sejlet.

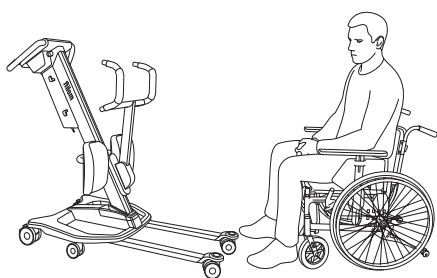


Brug ikke ødelagte eller nedslidte sejl.

### Sejl fremstillet af andre producenter

Anvend kun Molift-sejl. Etac er ikke ansvarlig for fejl eller uheld, som måtte opstå ved brug af sejl fra andre producenter.

### Justering af benstøtte

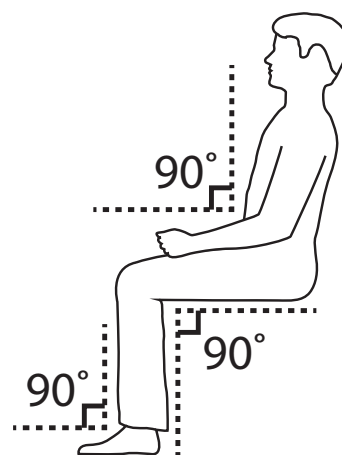
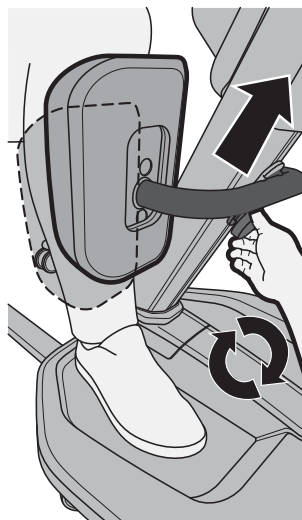


Flyt Quick Raiser 205 hen foran brugeren. Fødderne anbringes på fodpladen. Hjælp om nødvendigt brugeren med at placere fødderne rigtigt. Lås hjulene på personløfteren, før brugeren løftes. Den optimale vinkel på brugerens led før løftet er 90 grader.

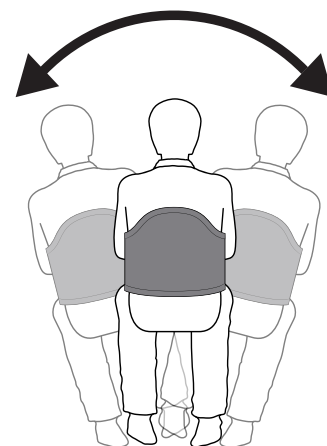


Sørg for, at benstøttens højde er tilpasset, så højden passer til den enkelte brugers anatomi. Toppen af puderne skal være 2 cm under brugerens knæ.

Brug drejgrebet til om nødvendigt at justere benstøtten højere op eller længere ned.

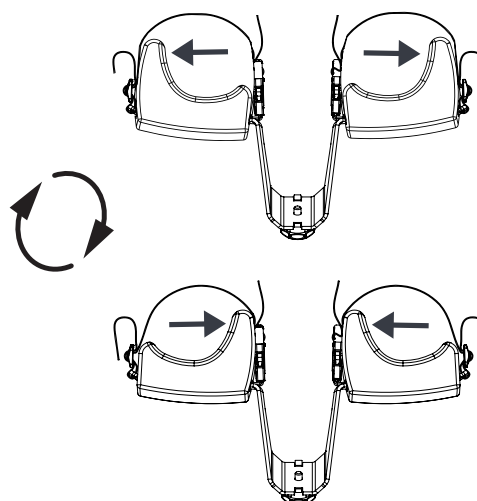


Sørg for, at brugeren ikke hænger fremad eller svinger til siderne under og før et løft, samt når brugeren sænkes ned.

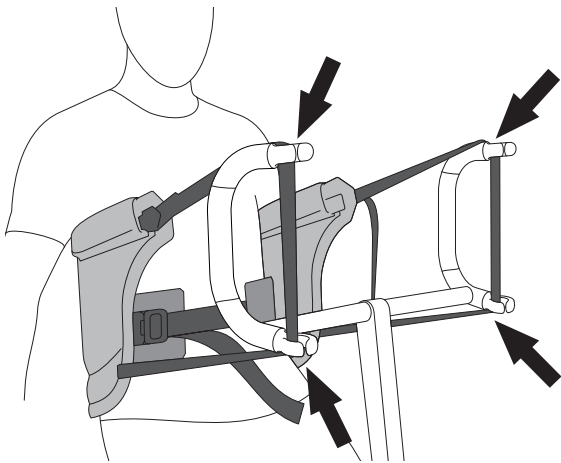


### Alternativ benstøtte med stropper

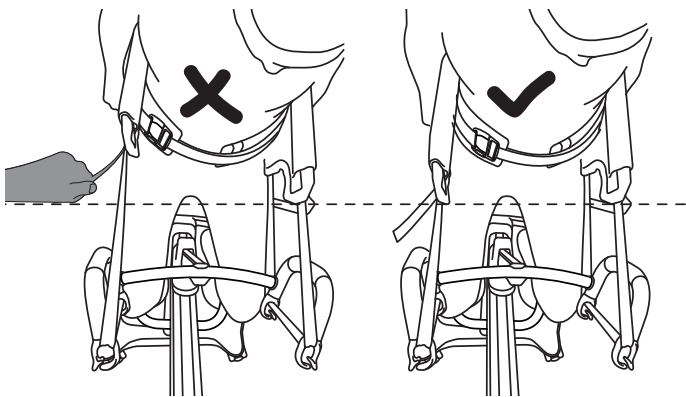
Den alternative benstøtte med stropper kan fjernes og vendes 180 grader, så støtten øges på både inder- og ydersiden af brugerens ben.



## Brug af 4-punktsophæng



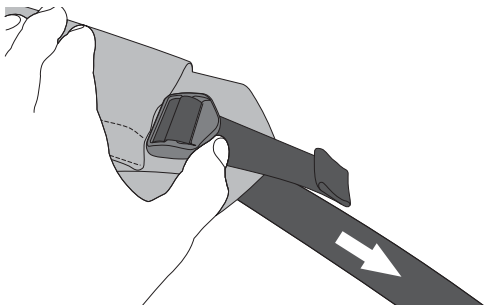
Fastgør sejlet til løftearmen ved at føre stroppen ind i alle fire kroge.



Træk i den løse strop for at justere stroppernes længde. Sørg for, at der er samme længde i begge sider.

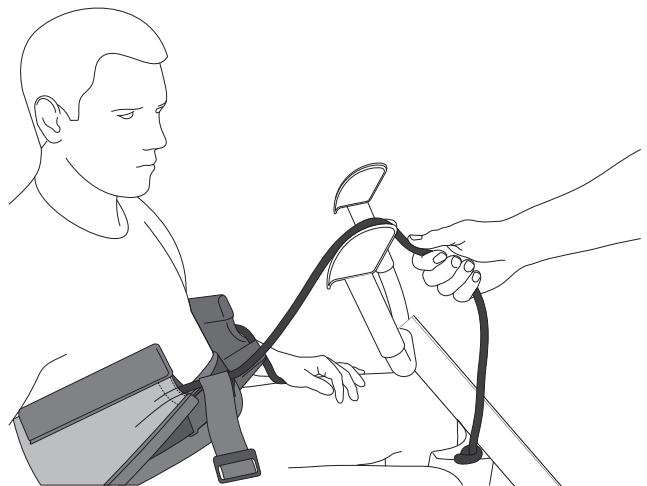
Patientens vægt sikrer, at stroppen fastlåses i løftearmen. Brugeren skal læne sig en smule bagud under løftet og om muligt holde fast i håndtagene.

### Fjernelse af sejlet



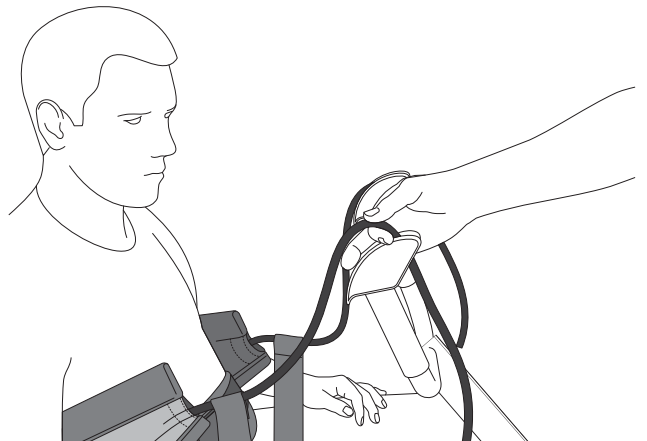
Løsn stropperne igen ved at vinkle spændet og trække stroppen ud.

## Brug af 2-punktsophæng



På 2-punktsophængsarmen fastgøres rebene til løftearmen ved med et fast greb at trække dem oppefra og ind i reblåsene.

### Fjernelse af sejlet



Frigør stroppen ved at lade dine fingre glide langs rebet, væk fra patienten.

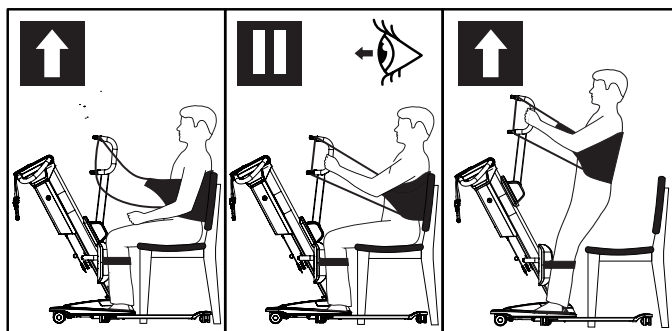


RgoSling Active kan kun anvendes med et 4-punktsophæng. RgoSling Stand Up kan kun anvendes med et 2-punktsophæng.

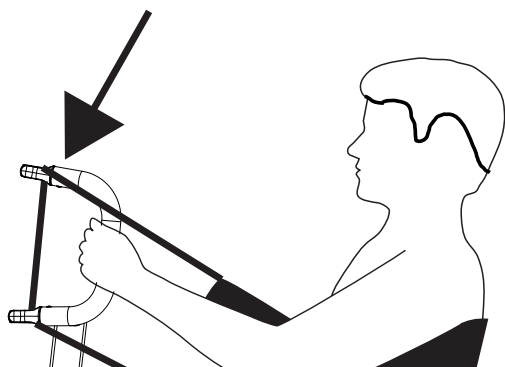
## Løftning/sænkning

Når du flytter brugeren, skal du stå ved siden af den person, du løfter. Sørg for, at arme og ben ikke kommer i vejen for sæde, seng osv. Bevar øjenkontakten med brugeren, så vedkommende føler sig tryk.

Hvis muligt: Kør hjulene fra hinanden i bredden ved hjælp af betjeningshåndsettets funktion til hjulafstandsindstilling, inden der foretages løft.



1. Kontrollér, at sejlet er tilpasset korrekt omkring brugeren, og at stropløkkerne er korrekt anbragt på ophængskrogene.
2. Sørg for, at brugeren har begge fødder placeret sikkert på fodpladen på personløfteren.
3. Stræk sejlstropperne uden at løfte brugeren. Kontrollér, at begge løkker i sejlet er fastgjort korrekt, så brugeren ikke glider eller falder ud.
4. Sørg for, at spændet er korrekt fastgjort
5. Løft brugeren til stående stilling, og stram og tilpas sejlet om nødvendigt.

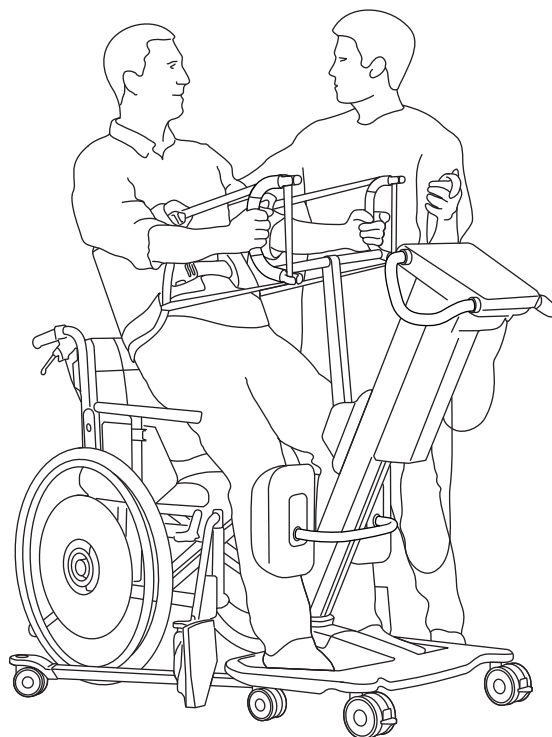


Sørg for, at brugerens hænder er placeret korrekt for at undgå, at brugerens hænder og fingre kommer i klemme i løftestropperne.

OBS! Hjulene på den genstand, som brugeren løftes fra eller til, skal være i den låste stilling.

## Forflytning

Løft forsigtigt patienten, så balderne er fri af stolen, og stram remmen. Lås personløfterens hjul op, og flyt patienten til det ønskede sted.



Pas under forflytningen på, at der ikke køres ind i møbler, vægge, døre osv.



Personløfteren må ikke anvendes til at løfte eller forflytte brugere på skrånende flader.

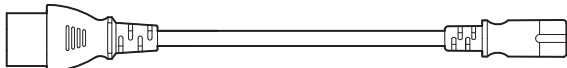
Undgå tæpper med lang luv, høje dørtrin, ujævne overflader eller andre forhindringer, der kan blokere hjulene. Personløfteren kan blive ustabil, hvis den tvinges hen over sådanne hindringer, hvilket øger risikoen for, at den vælter.

Personløfteren må kun anvendes til forflytning over korte afstande. Den er ikke en erstatning for en kørestol eller tilsvarende udstyr.

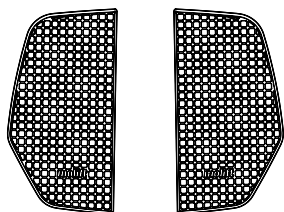
(Anbefalet) ekstraudstyr og tilbehør til Molift Quick Raiser 205.

Tilbehør

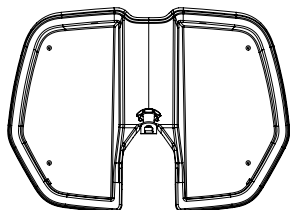
Forlængerstykke til strømledning  
Varenr.: 2920117



Indlægsæt til fodplade  
Varenr.: 2920151



Fodplade  
Varenr.: 2910065



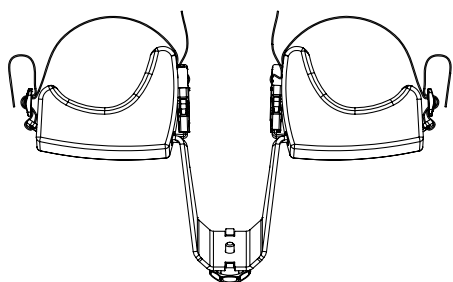
Alternativ benstøtte med stropper:

Komplet sæt med beslag og store puder  
Varenr.: 2910056

Pakke med store puder  
Varenr.: 2910077

Komplet sæt med beslag og små puder  
Varenr.: 2910059

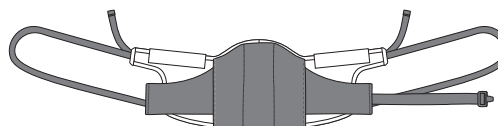
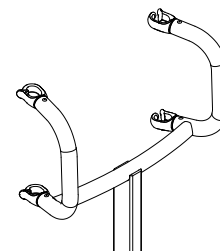
Pakke med små puder  
Varenr.: 2910076



Løftearme og sejl

4-punktsophæng:

Quick Raiser Active-løftearm  
Varenr.: 2910060

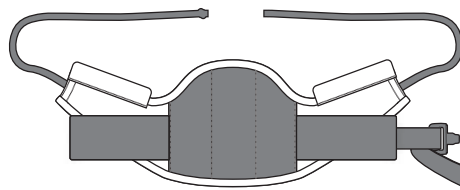
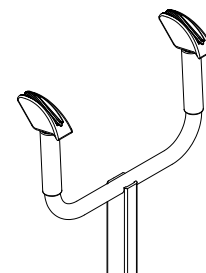


RgoSling Active

Varenr.: 1720910	Størrelse XS
Varenr.: 1720920	Størrelse S
Varenr.: 1720930	Størrelse M
Varenr.: 1720940	Størrelse L
Varenr.: 1720950	Størrelse XL

2-punktsophæng:

Quick Raiser Stand Up-løftearm  
Varenr.: 2910061



RgoSling Stand Up

Varenr.: 1720710	Størrelse XS
Varenr.: 1720720	Størrelse S
Varenr.: 1720730	Størrelse M
Varenr.: 1720740	Størrelse L
Varenr.: 1720750	Størrelse XL

RgoSling Stand Up, polstret

Varenr.: 1720810	Størrelse XS
Varenr.: 1720820	Størrelse S
Varenr.: 1720830	Størrelse M
Varenr.: 1720840	Størrelse L
Varenr.: 1720850	Størrelse XL

## Vedligeholdelse

DA

### Rengøring og desinfektion

Rengør personløfteren regelmæssigt. Rengør overfladerne med en fugtig klud med et pH-neutralt rengøringsmiddel. Brug ikke opløsningsmidler eller stærke væsker, da dette kan ødelægge personløfterens overflader. Til desinficering, når det er nødvendigt: brug isopropylalkohol. Undgå slibende rengøringsprodukter.

- Tag afdækningen på løftearmen af, og rengør nedenunder.
- Aftag om nødvendigt knæpuden, og rengør den med rindende vand.
- Fjern hår og luv fra kørehjulene, og tjek, at kørehjulene roterer frit.

Rengør om nødvendigt kontaktsteder og håndtag med isopropylalkohol for at fjerne fedt og snavs. Kontrollér nødstopet efter rengøring. Personløfteren må ikke udsættes for rindende vand.



Kontrollér, at du ikke beskadiger eller fjerner mærkater under rengøringen.

### Istandsættelse

Følg rengørings- og samlingsproceduren, udfør regelmæssig inspektion, og brug tjeklisten efter samling for at holde personløfteren i god stand.

### Genbrug

Vejledningen om genbrug viser, hvordan du bortskaffer produktet korrekt. Se [www.etac.com](http://www.etac.com).

### Reservedele

Reservedelsliste kan rekvireres på forespørgsel.

## Periodisk inspektion

### Omfang af periodisk inspektion

Periodisk inspektion er en visuel undersøgelse (især af personløfterens vægtbærende struktur og løftmekanisme med fastgørelseselementer, bremses, betjeningshåndtag, sikkerhedsenheder og personbærende enheder) iht. den periodiske inspektionsrapport for Molift Quick Raiser 205. Se [www.etac.com](http://www.etac.com).



Hvis der er nogen form for problemer med personløfteren, som kan bringe personers sikkerhed i fare, skal personløfteren omgående tages ud af brug og mærkes med "i uorden". Brug ikke personløfteren, før den er blevet repareret.

Under den periodiske inspektion skal inspektøren udfylde en inspektionsrapport for Molift Quick Raiser 205. Rapporterne skal opbevares af den eller de personer, som er ansvarlige for at servicere personløfteren. Hvis inspektionen afslører defekter og skader, skal personløfteren tages ud af drift og mærkes med "ude af drift". Personløfteren må ikke anvendes, før den er repareret. Når det periodiske eftersyn er udført, skal serviceindikatoren nulstilles. Se side 8

Den periodiske inspektion skal udføres mindst én gang om året og hyppigere, hvis det kræves af de lokale myndigheder. Inspektionen skal udføres af servicepersonale, som er godkendt af Etac. Kontakt Etac på [molift@etac.com](mailto:molift@etac.com) for uddannelse og godkendelse eller anbefaling af en godkendt servicepartner.

DA

## Fejlsøgning

Symptom	Mulig årsag/udbedring
Løftesøjlen er vakkelvorn	Låseboltene er ikke fastgjort korrekt, eller løftesøjlen sidder ikke rigtigt i stellet / kontrollér, om søjlen sidder rigtigt i stellet, og/eller spænd boltene
Personløfteren kan kun køre én vej (op eller ned) / benene kan kun køre én vej (ind eller ud)	Fejl i betjeningshåndsettet / udskift med alternativ styring fra anden personløfter og/eller nyt betjeningshåndsat
	Elektronikken svigter / kontakt din lokale servicerepræsentant
Personløfteren bevæger sig opad og/eller nedad af sig selv / benene bevæger sig af sig selv	Kortslutning imellem betjeningshåndsettet og personløfteren / rengør forbindelsesstederne imellem betjeningshåndsettet og stellet med sprit for at fjerne fedt og snavs
	Betjeningshåndsettet er i stykker / udskift betjeningshåndsettet / kontakt din lokale servicerepræsentant
	Funktionsfejl på relæer/elektronik / udskift elektronik/relæer / kontakt din lokale servicerepræsentant
Løftearmen bevæger sig ikke / benene bevæger sig ikke	Afladet batteri / udskift batteri
	Nødstop aktiveret / drej i urets retning for at nulstille
	Betjeningshåndsat afbrudt / gentilslut betjeningshåndsettet
	Betjeningshåndsettet er i stykker / udskift betjeningshåndsettet / kontakt din lokale servicerepræsentant
	Funktionsfejl på elektronik / kontakt din lokale servicerepræsentant
	Motoren svigter / kontakt din lokale servicerepræsentant
	Kontrollér forbindelsen mellem søjlen og stellet

## Suomenkielinen käyttöohje

FI

## Sisältö

Molift Quick Raiser 205 .....	76
Potilasnosturin osat.....	76
Tietoja Molift Quick Raiser 205 -mallista	76
Yleistä.....	77
Vaatimustenmukaisuusvakuutus .....	77
Käyttöehdot .....	77
Takuu .....	77
Tuotteen merkintä .....	77
Tekniset tiedot.....	78
Kokoaminen.....	79
Akku .....	79
Jalkatuki .....	80
Nostopilari ja alusta.....	80
Nostovarsi .....	81
Verkkovirtakaapeli .....	81
Käsiohjain.....	82
Tarkistuslista asennuksen jälkeen .....	82
Nollaa huollon merkkivalo .....	82
Molift Quick Raiser 205	
-potilasnosturin käyttö.....	83
Tarkastukset ennen käyttöä / päivittäin ..	83
Käsiohjain.....	83
Turvalaitteet.....	84
Ohjauksehjat.....	84
Jarrut.....	84
Hätäpysäytys / hätälasku .....	84
Elektroniiikka .....	85
Kuljetus- ja käyttöolosuhteet .....	85
Akku .....	85
Akun ja huollon merkkivalot.....	85
Lataus .....	86
Siirtäminen.....	87
Nostoliinujen käyttö.....	87
Jalkatuen säätäminen.....	87
Vaihtoehtoinen jalkatuki, jossa on hihnat	87
4-pistenostovarren käyttö .....	88
2-pistenostovarren käyttö.....	88
Nostaminen.....	89
Siirtäminen .....	89
Lisävarusteet .....	90
Lisävarusteet.....	90
Ripustukset ja nostoliinat.....	90
Kunnossapito .....	91
Puhdistus ja desinfiointi.....	91
Kunnostus .....	91
Kierrätys .....	91
Varaosat.....	91
Määräaikaistarkastus .....	91
Määräaikaistarkastuksen laajuus.....	91
Vianmääritys .....	92

## Tärkeää

Tämä käyttöohje sisältää potilasnosturin ja lisävarusteiden käyttöön liittyviä tärkeitä turvallisuusohjeita ja tietoja.

Käyttöohjeessa käyttäjällä tarkoitetaan nostettavaa henkilöä.

Avustaja on potilasnosturia käyttävä henkilö.

**Varoitus!**

Tämä merkki tarkoittaa tärkeitä turvallisuuteen liittyviä tietoja. Noudata näitä ohjeita huolellisesti.



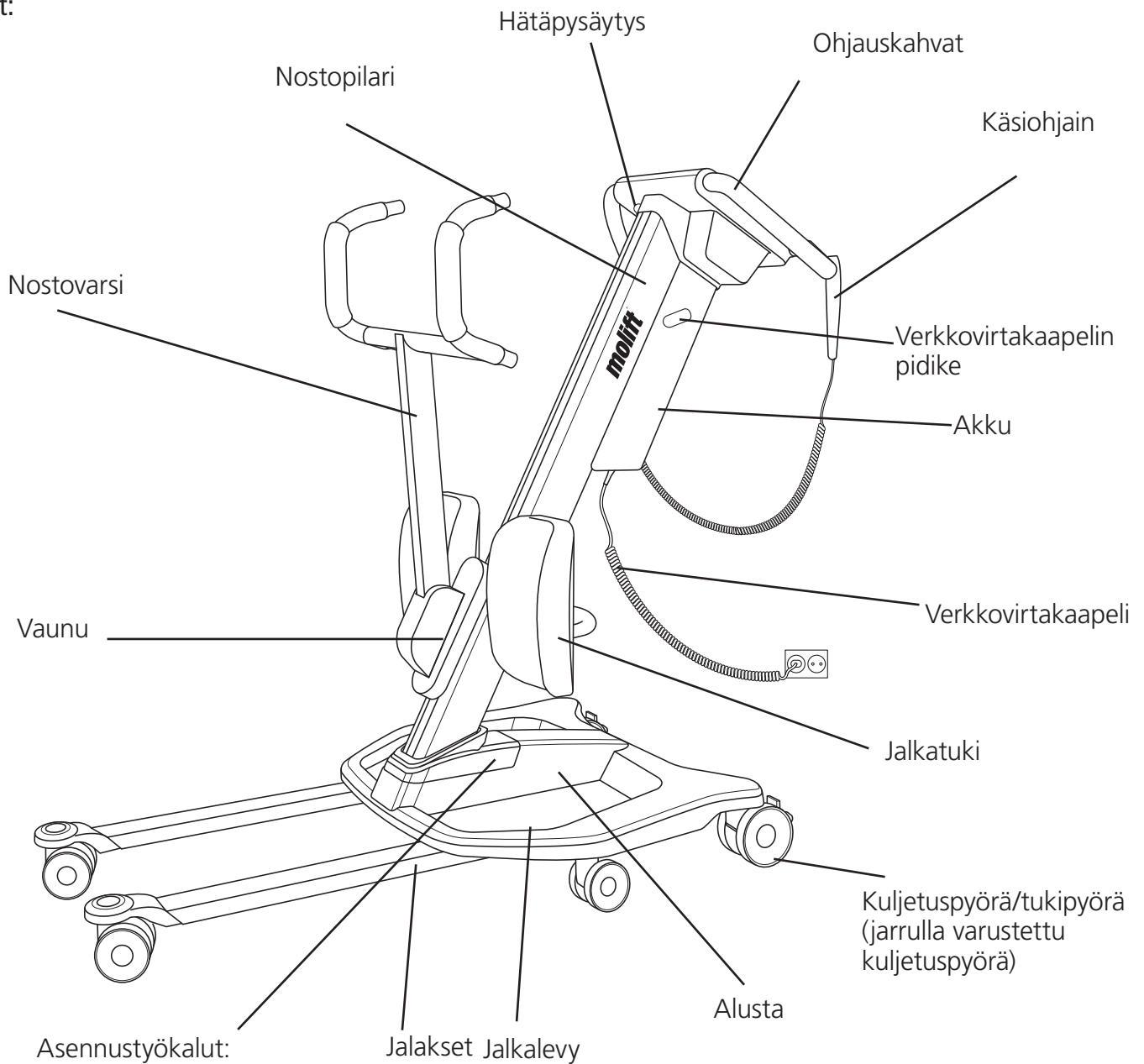
Lue käyttöohje ennen käyttöä! On tärkeää ymmärtää käyttöohjeen sisältö kokonaisuudessaan, ennen kuin yrittää käyttää laitetta.

Lataa dokumentaatio osoitteesta [www.etac.com](http://www.etac.com), jotta käytössäsi on varmasti uusin versio.

*Valmistajan vakuutus sisältyy Molift Quick Raiser -potilasnosturin tekniseen ohjeeseen (TM13001)*

## Molift Quick Raiser 205

## Osat:



## Asennustyökalut:



6 mm:n kuusiokoloavain  
17 mm:n kiintoavain

## Tietoja Molift Quick Raiser 205 -mallista

Molift Quick Raiser 205 on liikuteltava istumasta seisomaan -potilasnosturi, joka on tarkoitettu henkilön nostamiseen ja siirtämiseen nostoliinalla tuolista, pyörätuolista tai WC-istuimelta. Molift Quick Raiser 205 Active on tarkoitettu käyttäjille, jotka osaavat noudattaa ohjeita, joiden ylävartalon vakaus on hyvä ja jotka pystyvät kannattamaan painoa ainakin yhdellä jalalla mutta tarvitsevat apua seisomiseen. Nosturin muoto ja nostoliikkeen geometria jäljittelevät ihmisen luonnollisia liikkeitä. Potilasnosturi on valmistettu kevyistä mate-

riaaleista, siinä on pyörät ja akusta tehonsa saava sähkömoottori. Nostinta käytetään käsiohjaimesta tai nostimen ohjauspaneelistä. Siinä on sähköisesti säädettävät jalokset, ja sen nostokapasiteetti on 205 kg (451 lbs).

Se soveltuu erinomaisesti käytettäväksi hoitolaitoksissa, mutta sitä voidaan käyttää myös kotihoidossa ja hoitokodeissa. Nosturia tulee käyttää vain lyhyillä siirtomatkoilla, kuten tuolin ja vuoteen välillä tai kylpyhuoneeseen/WC:hen mentäessä, eikä se voi korvata pyörätuolia tai vastaavaa.

## Yleistä

FI

### Vaatimustenmukaisuusvakuutus



Molift Quick Raiser 205 -potilasnosturissa ja sen tässä käyttöohjeessa kuvatuissa lisävarusteissa on CE-merkintä Euroopan komission lääkinnällisiä laitteita, luokkaa 1, koskevan direktiivin 93/42/ETY mukaisesti, ja laite on testattu ja hyväksytty standardien IEC 60601-1, IEC 60601-1-2 ja NS-EN ISO 10535:2021 mukaisesti kolmannen osapuolen toimesta.

### Käyttöehdot

Potilaan nostamiseen ja siirtämiseen liittyy aina tietty riski, ja ainoastaan koulutettu henkilökunta saa käyttää tässä käyttöohjeessa kuvattuja laitteita ja lisävarusteita.

### Muutokset ja eri valmistajien osien käyttäminen.

Suosittellemme ainoastaan Etac Molift -komponenttien ja -varaosien käyttämistä.

Vaatimustenmukaisuusvakuutus ei ole voimassa eikä Etac vastaa takuusta, jos tuotteeseen tehdään muutoksia. Etac ei vastaa vioista ja tapaturmista, joita voi sattua käytettäessä muiden valmistajien komponentteja.



Vain pätevä henkilökunta saa avata potilasnosturin tai sen lisävarusteita huoltoon tai korjauksia varten. Pyörivistä osista tai sähköiskusta voi aiheutua loukkaantumisriski.



Itse nostettava henkilö ei saa ohjata potilasnosturia.

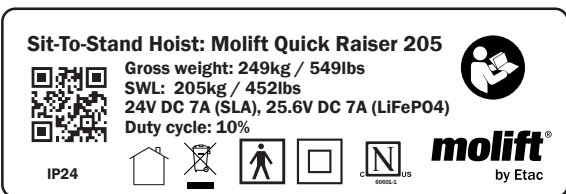
### Takuu

Kahden vuoden takuu, joka korvaa työstä ja materiaaleista johtuvat viat tuotteissamme. Tarkista takuehdot osoitteesta [www.etac.com](http://www.etac.com)

## Tuotteen merkintä

### Tuotteen tarra / GS1-128

Viivakooditarra, joka sisältää EAN-numeron, sarjanumeron ja valmistuspäivän.



BF-tyyppin liityntöosa



Latauksen merkkivalo



CE-merkintä



Kaksoiseristyksen symboli



Katso käyttöohje



Valmistaja



Vain sisäkäyttöön



Valmistuspäivä



Älä hävitä normaalin kotitalousjätteen mukana.



Luettelonumero



Hätälasku



Sarjanumero



Huollon merkkivalo



Lääkinnällinen laite



Akun merkkivalo

### Varoitustarrat ja symbolit

Tuotteessa käytettävät symbolit tarkemmin selitettynä:

**Suurin turvallinen kuorma (SWL):**

205 kg (451 lbs)

**Laitteen paino:**

Laitteen kokonaispaino: 44,5 kg / 98 lbs

Alusta: 17 kg / 37,5 lbs

Nostopilari: 19 kg / 41,9 lbs

Jalkatuki: 3,5 kg / 7,7 lbs

4-pistenostovarsi: 5 kg / 11 lbs

**Akku:**

SLA 24 V 2,9 Ah

LiFePO4 25,6 V 2,4 Ah

**Akkulaturi:**Tulo: 100–240 VAC, 50–60 Hz,  
maks. 0,35 A

Lähtö: 29,4 VDC, 0,5 A

**Akun latausaika:**

5 tuntia

**Nimellisuorituskyky:**

100 nostoa per 75 kg ja 500 mm

**Nostonopeus:**

35 mm/sekunti (1,4 tuumaa/sekunti)

75 kg:n (165 lbs:n) kuormituksella

**Suojausluokka:**

IP24 (koko nostin).

*Esine, koetinpallo, jonka halkaisija on 12,5 mm, ei saa tunkeutua kokonaan sisään.**Koteloa vasten mistä tahansa suunnasta roiskuva vesi ei saa vaikuttaa haitallisesti.***Käyttövoimapainike:**

Ohjauspaneelin painikkeet: &lt; 5 N

Käsiohjaimen painikkeet: &lt; 5 N

**Materiaali:**

Alumiini, muovi, teräs

**Moottori:**

Nostomoottori: 24 V DC

Jalasten levitysmoottori: 24 V DC

**Kääntösäde:**

1144 mm (57 tuumaa)

**Arvioitu käyttöikä:**

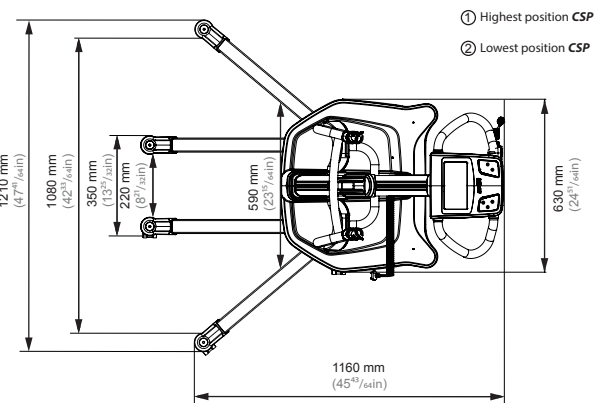
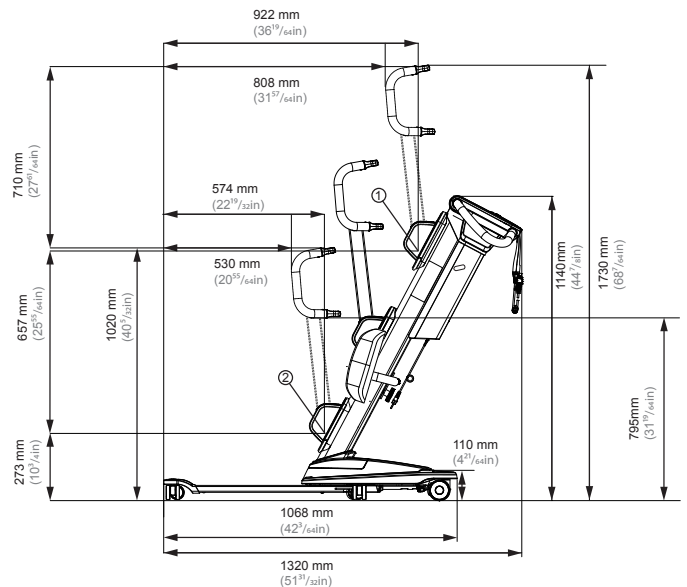
Nosturin ja sen lisävarusteiden arvioitu käyttöikä on 30 000 käyttökertaa tai 10 vuotta.

**Käytettävät osat:**

Nostoliina

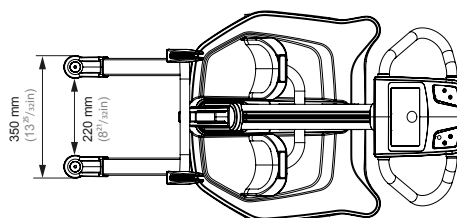
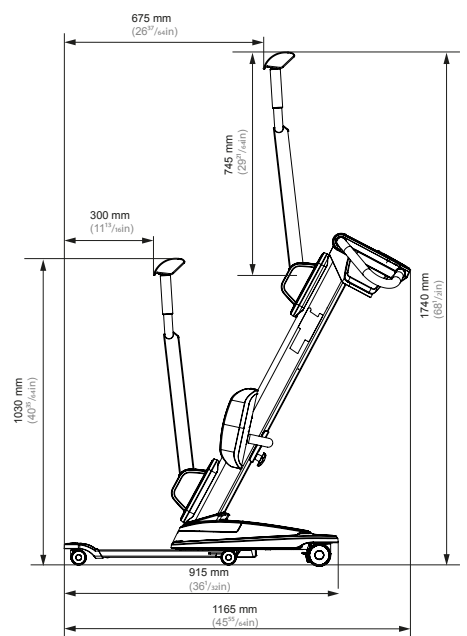
Jalkatuki

Jalaskahvat



① Highest position CSP

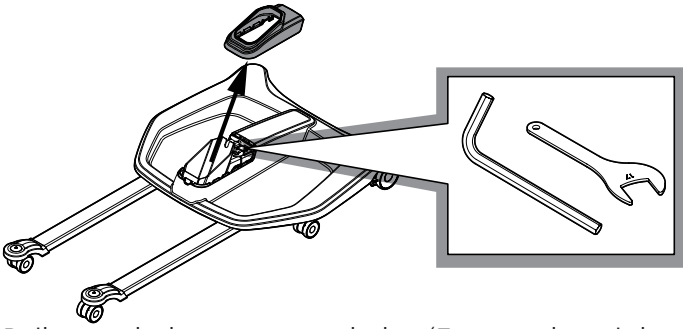
② Lowest position CSP

**QuickRaiser 205 FL (Fixed Legs):**

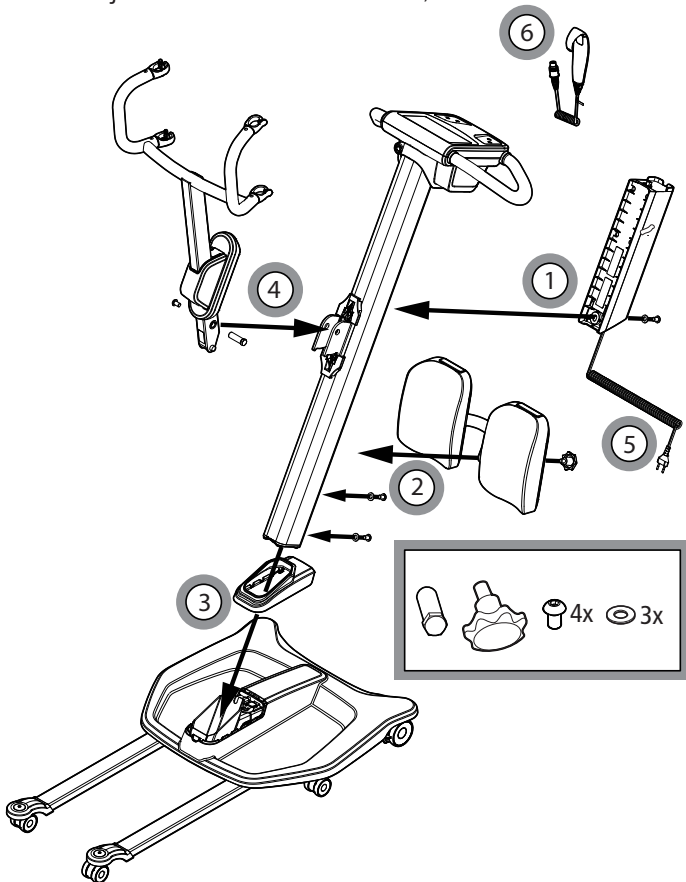
# Kokoamisohjeet

FI

## Ennen kokoamista



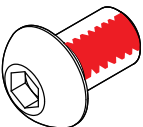
Paikanna kokoonpanotyökalut (5 mm:n kuusiokoloavain ja 17 mm:n kiintoavain)



1. Akku
2. Jalkatuki
3. Pileri alustassa
4. Nostovarsi
5. Verkkovirtakaapeli
6. Käsihjain

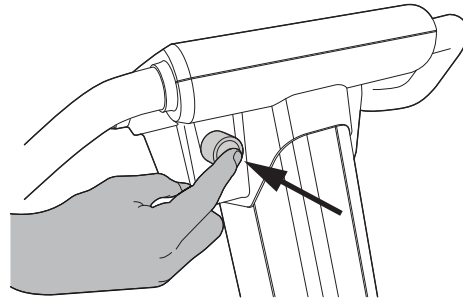


Potilasnosturin saa asentaa vain koulutettu henkilökunta

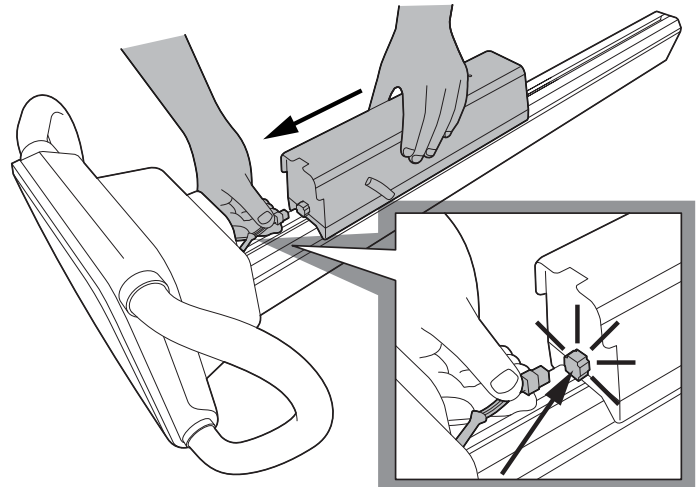


Ruuveja, joissa on valmiina kierrelukko, saa käyttää vain kerran. Varaosan tuotenumero 2920075

## 1 - Akku

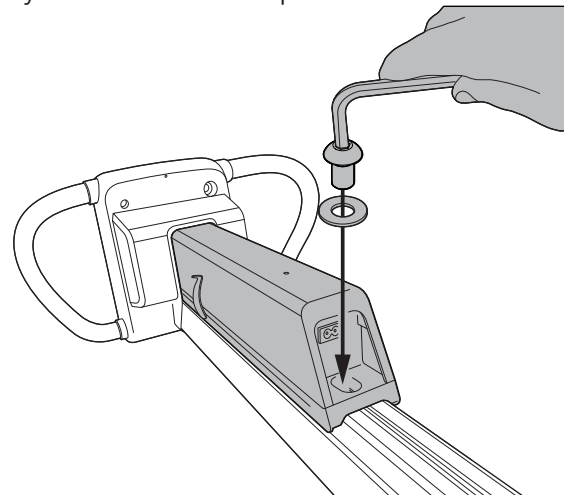


Paina hätäpysäytyspainike pohjaan ennen kokoamista



Aseta pileri vaakasuoralle pinnalle. Varmista, että hätäpysäytyspainike on painettu sisään.

Liitä johto ohjauspaneelista akkukoteloon. Työnnä akkukasetti paikalleen.

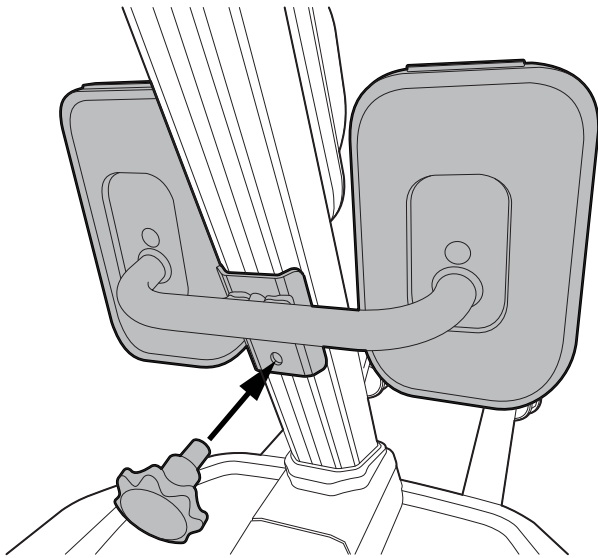


Kiristä ruuvi kuusiokoloavaimella myötäpäivään. Huom! Muista käyttää aluslevyä.

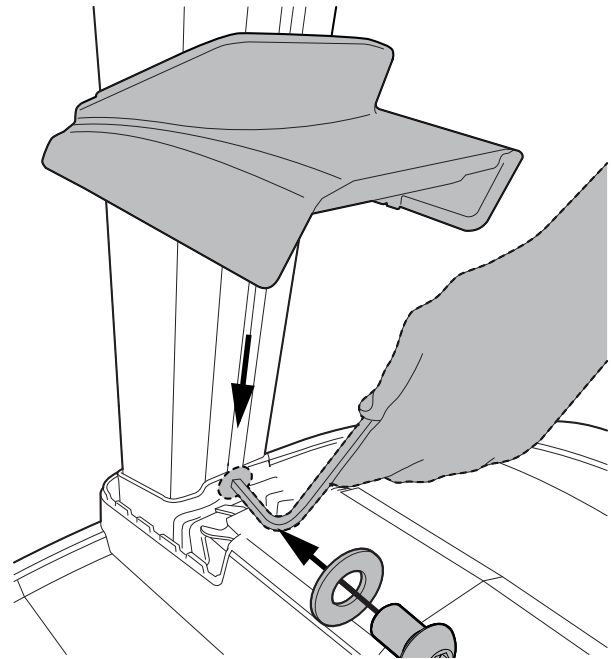


Varmista, että akku on kiinnitetty oikein, ennen kuin asennat pilarin alustaan.

## 2 - Jalkatuki

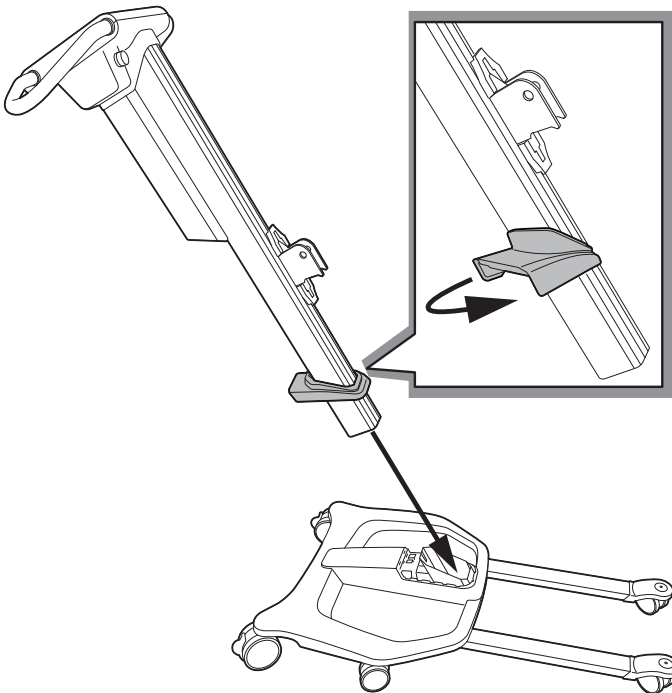


Asenna jalan tukikiinnike.

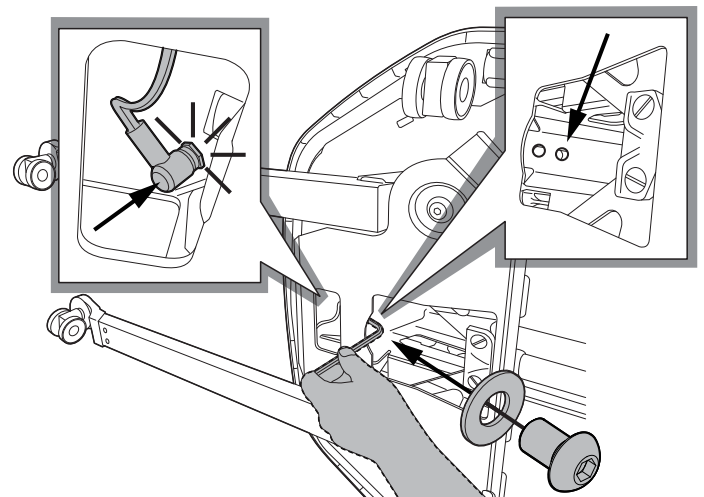


Kiinnitä ruuvi aluslevyllä pylvääseen. Liu'uta ruuvia alas alustaan ja kiristä ruuvi.

## 3 - Nostopilari ja alusta



Aseta suojus nostopilariin. Käänä suojus sivuttain, jotta se jää pylvääseen. Työnnä nostopilari alustaan.

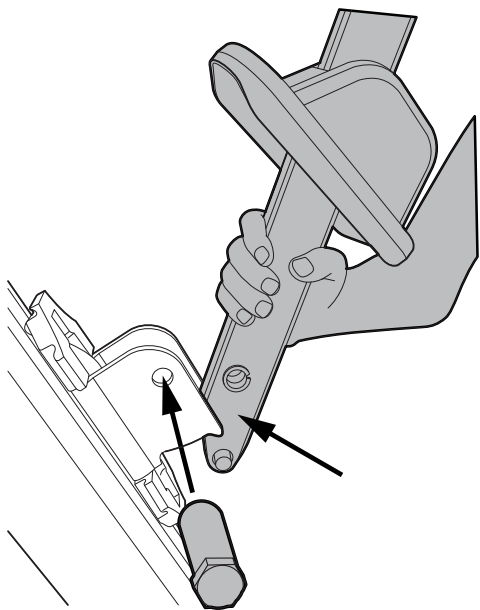


Käännä potilasnosturi kallelleen. Työnnä ruuvi ja aluslevy yläreikään ja kiristä ruuvi. Kytke kaapeli pilarin ja alustan välille.  
(Huom! Kaapeli EI ole yhteensopiva Molift Quick Raiser 205 FL -version kanssa)

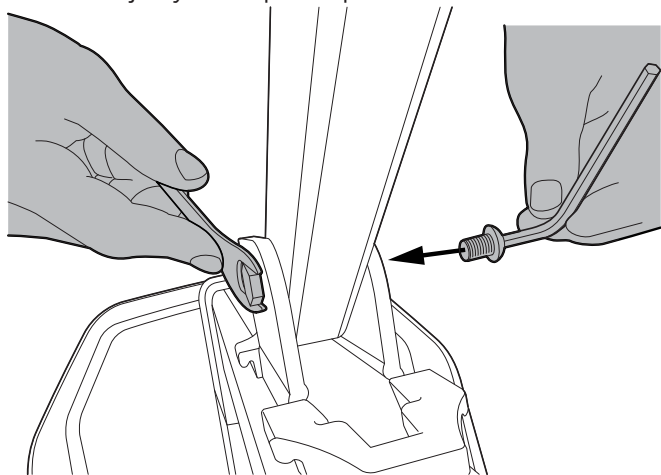


Ruuveilla varmistetaan, että pilaria ei voi vetää ylöspäin. Älä käytä potilasnosturia ennen kuin kumpikin ruuvi on kiristetty kunnolla.

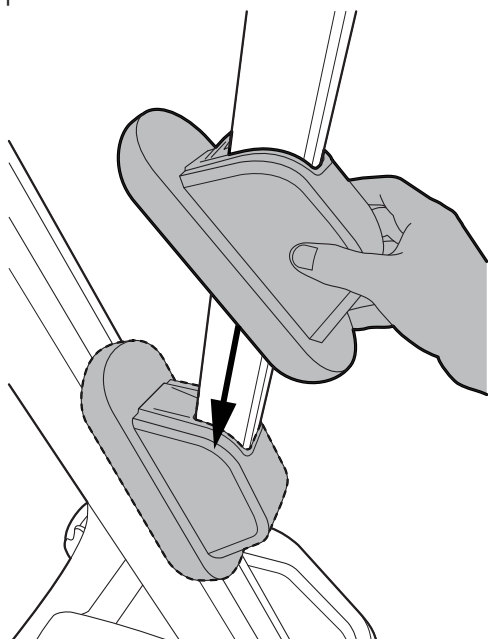
## 4 - Nostovarsi



Aseta suojus nostovarren päälle. Aseta nostovarsi vaunuun ja työnnä pultti paikalleen.

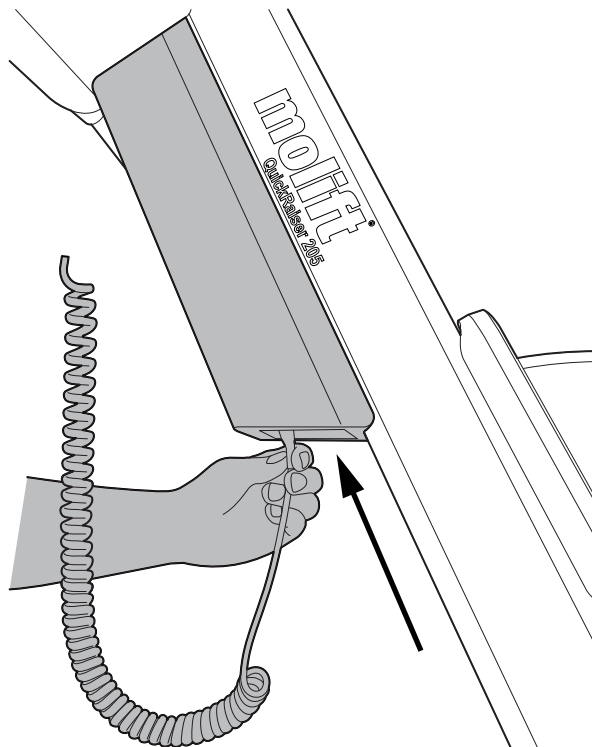


Aseta pultti paikalleen ja kiristä ruuvi 17 mm:n jakoavaimen ja 6 mm:n kuusiokoloavaimen avulla. Varmista, että nostovarsi on kiinnitetty oikein pilarin vaunuun.

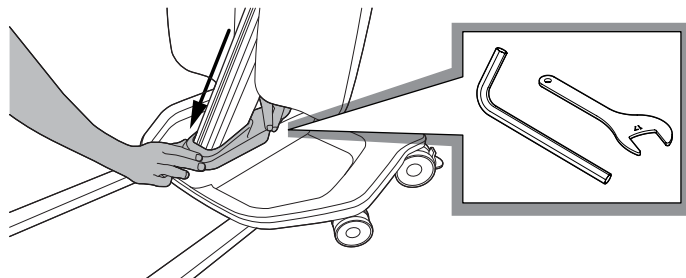


Kiinnitä suojus vaunuun

## 5 - Verkkovirtakaapeli

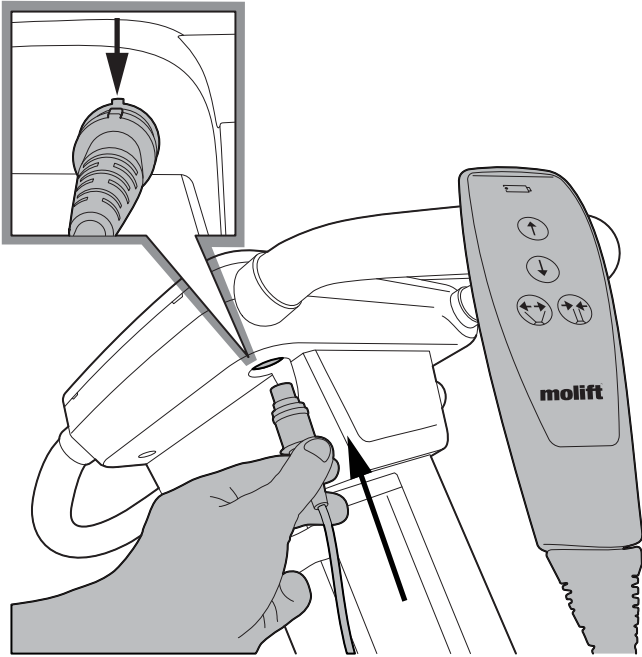


Liitä verkkovirtakaapeli akkulokeron pohjaan.



Kiinnitä suojus alustaan. Muista laittaa työkalut takaisin paikoilleen.

## 6 - Käsihjain



Liitä käsihjain ohjauspaneeliin.

## Nollaa huollon merkkivalo

Jos huollon LED-merkkivalo on keltainen, ota yhteyttä Molift-huoltoyhtiöön tarvittavia toimenpiteitä varten.

Huoltovalo alkaa jälleen muuttua keltaiseksi 12 kuukauden kuluttua, jolloin on uuden määräaikaishuollon aika.



Älä aloita potilasnosturin käyttöä ennen kokoamisen jälkeen käytettävän tarkistuslistan mukaista tarkastusta.

## Kokoamisen jälkeinen tarkistuslista

Varmista tämän tarkistuslistan avulla, että nostin on asennettu oikein ja toimii turvallisesti.



Nollaa asennuksen jälkeen hätäpysäytys kiertämällä hätäpysäytyspainiketta myötöpäivään. Huollon merkkivalon pitäisi nyt olla keltainen. Kun tarkistuslistan mukaiset tehtävät on tehty, nollaa huollon merkkivalo kokoamisohjeiden mukaan.

- Varmista, että jalkatuki ja nostovarsi on kiinnitetty oikein ja ettei potilasnosturissa ole irtonaisia osia.
- Varmista, että nostopilari on kiinnitetty oikein alustaan ja että kumpikin ruuvi on kiristetty.
- Kytke nosturi virtapistokkeeseen ja varmista, että integroitu akkulaturi toimii. Lataa akku tarvittaessa.
- Tarkista, että potilasnosturissa ei ole näkyviä vaurioita tai muita vikoja.
- Tee yksi nosto kuormituksella 50 - 100 kg  
Huom! Nosturi ei toimi latauksen aikana.

# Molift Quick Raiser 205 -potilasnosturin käyttö

FI

## Yleiset turvallisuusvaroitukset

Käytä ainoastaan sellaisia lisävarusteita ja nostoliinoja, jotka saa säädettyä käyttäjälle, tämän vammantyyppille, koolle ja painolle sekä siirtotyyppille sopiviksi.

## Taukosuhde / käyttöjakso

Molift Quick Raiser 205 -potilasnosturia saa käyttää jatkuvasti enintään 2 minuutin ajan (maksimikuormituksella), jonka jälkeen sen on annettava levätä vähintään 18 minuutin ajan. Käyttöjakso 10 %. (Vuorottelu standardin ISO-EN 10535 mukaan)

## Turvallinen työkuormitus

Turvallinen työkuormitus (SWL) on merkitty potilasnosturiin



Jos potilasnosturin ripustuksen ja rungon tukiyksikön maksimikuormitukset (SWL) poikkeavat toisistaan, tulee aina käyttää pienintä maksimikuormitusta.



Molift-nostimia tulee käyttää ainoastaan ihmisten nostamiseen. Älä koskaan käytä nostinta minikäänlaisten esineiden nostamiseen tai siirtämiseen.

## Tarkastukset ennen käyttöä / päivittäin

Päivittäin tai ennen käyttöä suoritettava tarkastus:

- Varmista, että potilasnosturissa ei ole näkyviä vaurioita, vikoja tai vääntymiä
- Varmista, että nostovarren kiinnitys, jalkatuki, akkukotelo ja kaikki irrotettavat osat on kiinnitetty ja varmistettu asianmukaisesti
- Testaa hätäpysäytyspainiketta
- Tarkista akun varaustaso ja huollon merkkivalo
- Varmista, ettei nostohihnassa ole näkyviä vaurioita tai rispaantumia.

- Varmista, että pyörät liikkuvat vapaasti ja potilasnosturia on helppo käsitellä.
- Koekäytä potilasnosturin käyttötoiminnot ja varmista, ettei siitä kuulu epätavallisia ääniä.



Jos potilasnosturissa on vikoja tai puutteita, se on poistettava käytöstä ja merkittävä "epäkunnossa"-merkinnällä.

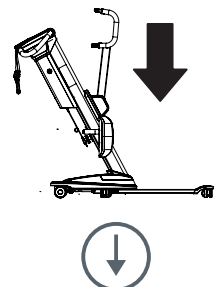
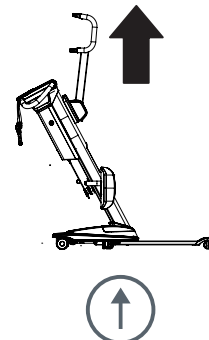
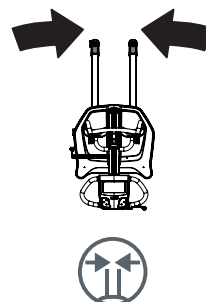
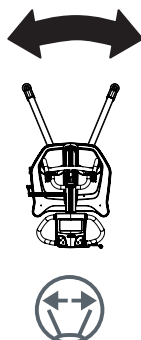
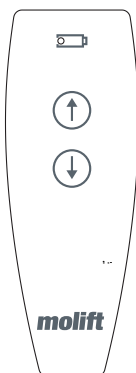
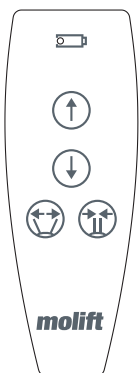
## Käsiohjain

Käsiohjaimessa on neljä painiketta nostovarren nostamista ja laskemista sekä jalasten levitysmekanismien sulkemista ja avaamista varten.

Käsiohjaimessa on merkkivalo, joka syttyy, kun akun varaus on vähissä ja potilasnosturi on latauksen tarpeessa.

Käsiohjaimen 4 painiketta: Tuotenro 2910010

Käsiohjaimen 2 painiketta: Tuotenro 2910011



## Nostovarsi - ylös/alas

Huom! Potilasnosturi on epävakaain yläasennossa.

## Jalakset - sisään/ulos

Huom! Levitettyt jalakset tuovat lisää vakautta ja paremman pääsyn tuoliin tai wc-istuimelle.

## Turvallaitteet

Molift Quick Raiser 205 on varustettu usealla turvalaitteella, jotka on tarkoitettu estämään käyttäjien loukkaantuminen ja laitevauriot virheellisen käytön tai vikojen yhteydessä.

Potilasnosturissa on potilasnosturin käytön estävä ylikuormitusanturi, jos potilasnosturin kuorma ylittää turvallisen työkuormituksen (SWL).

Ripustuksessa on sarana, joka estää käyttäjän joutumisen puristuksiin varren ja ripustuksen väliin.

## Ohjaukahvat

Siirrä potilasnosturia työntökahvoista.

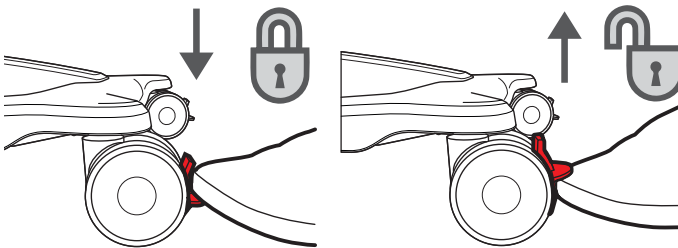


Älä työnnä tai vedä potilaasta, nostopilarista tai nostovarresta. Se voi aiheuttaa vakausongelmia, ja potilasnosturi voi kaatua.

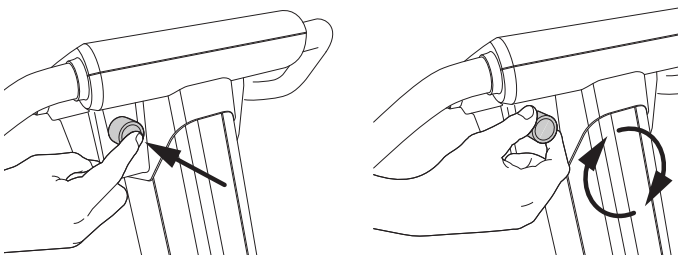
Potilasnosturia saa käyttää vain lyhyillä siirtomatkoilla. Se ei korvaa pyörätuolia tai vastaavaa.

## Jarrut

Kuljetuspyörät/tukipyörät on varustettu potkujarruilla. Lukitse jarrut astumalla niiden päälle. Avaa lukitus työntämällä ylös tai potkaisemalla jarrun yläosaan.

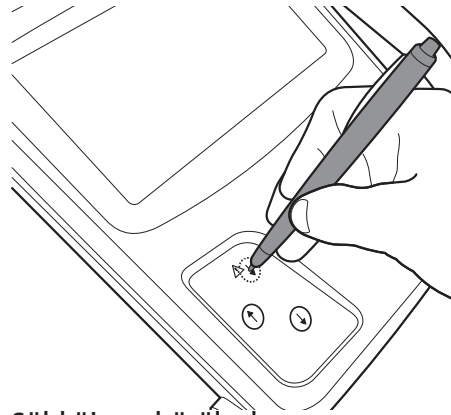


## Hätäpysäytys / hätälasku



### Hätäpysäytys

Hätäpysäytys katkaisee virran alas painettaessa. Palauta hätäpysäytyksen katkaisija kiertämällä katkaisijaa myötäpäivään.

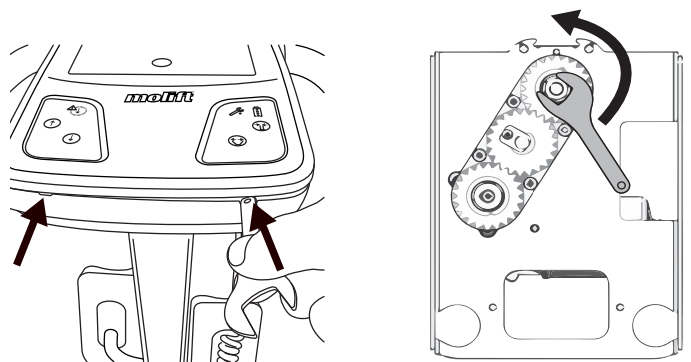


### Sähköinen hätälasku

Käytä kynää tai muuta terävää esinettä ja paina ja pidä sähköisen hätälaskun painiketta painettuna. Sähköinen hätälasku ei toimi, jos hätäpysäytys on aktivoituna.



Käytä ainoastaan sähköistä hätälaskua, jos mikään muu painike ei toimi.



### Manuaalinen hätälasku

Käytä alasuojuksessa olevaa avainta ohjauspaneelin suojuksen irrottamiseksi kahdesta kohdasta.



Paina hätäpysäytyspainike pohjaan ennen suojuksen poistamista. Pyörivistä osista aiheutuu puristuksiinjäämisvaara!

Käytä 17 mm:n kiintoavainta ja käännä kuularuuvia vastapäivään, kunnes käyttäjä on turvallisesti alhaalla. Manuaalista hätälaskutoimintoa saa käyttää vain, jos sähköinen hätälaskutoiminto ei toimi.



Jos hätälaskua käytetään, kiinnitä potilasnosturiin merkintä "epäkunnossa" ja tilaa huolto!

# Elektroniikka

**FI**

## Kuljetus- ja käyttöolosuhteet

### Kuljetus ja säilytys

Pitkäaikaista säilytystä varten on suositeltavaa aktivoida (painaa sisään) hätäpysäytyspainike. Potilasnosturia voi säilyttää ja kuljettaa -25...+70 °C:n lämpötiloissa.

### Käyttö

Potilasnosturi on suunniteltu käytettäväksi normaalissa huoneenlämmössä (+5...+40 °C).

Ilmanpaine: 70 - 106 kPa

Suhteellinen kosteus: 15 - 93 %

Jos laitetta on säilytetty tai kuljetettu ohjeesta poikkeavissa lämpötiloissa, jätä se tilaan, jossa lämpötila on sopiva, kunnes se saavuttaa turvallisen käyttölämpötilan.



Lääketieteelliset sähkölaitteet edellyttävät erityisiä sähkömagneettiseen yhteensopivuuteen (EMC) liittyviä varotoimia. Kannettavat tai siirrettävät radioviestintälaitteet voivat vaikuttaa lääketieteellisiin sähkölaitteisiin, ja niitä tulee pitää vähintään 25 cm:n (10 tuuman) päässä potilasnosturin elektroniikasta.

## Akku

Molift Quick Raiser 205 on saatavana 24 V:n SLA-akulla tai 25,6 V:n LiFePO4-akulla, ja molempiin kuuluu integroitu laturi.



SLA-akun arvioitu käyttöikä on noin 500 latauskertaa.

LiFePO4-akun arvioitu käyttöikä on noin 2 000 latauskertaa.



Akut on hävitettävä ongelmajätteenä paikallisten sääntöjen ja asetusten mukaisesti. Älä hävitä normaalin kotitalousjätteen mukana.






## Akun ja huollon merkkivalot

	Avainsymboli / huollon merkkivalo
	Akkusymboli / akun merkkivalo

Sähköjärjestelmässä on virransäästötoiminto, joka kytkee sähköjärjestelmän pois päältä viiden minuutin kuluttua siitä, kun järjestelmää on viimeksi käytetty. Kaikki merkkivalot sammuvat. Järjestelmä aktivoituu painettaessa yhtä käyttöpainikkeista.

### Akun merkkivalo ohjauspaneelissa

Kun monitasoinen akun merkkivalo on keltainen, potilasnosturissa on riittävästi virtaa yhteen kokonaiseen nostojaksoon maksimikuormituksella. Kun akun merkkivalo vilkkuu keltaisena, laitteella voi ainoastaan laskea nostovarren alas.

Akun merkkivalo		Akun varaus
	Vihreä	80 % tai enemmän
	Vihreä	80 - 60 %
	Vihreä	60 - 40 %
	Vihreä	40 - 20 %
	Keltainen tai vilkkuu keltaisena	20 % tai vähemmän (lataa potilasnosturi)

## Huollon merkkivalo

Potilasnosturin elektroniikka tallentaa muistiin nostetut painot ja nostokerrat. Tietyn käyttöajan jälkeen annetaan signaali, joka ilmaisee potilasnosturin huoltotarpeen.

### Huollon merkkivalo (1.1.2018 alkaen)

<i>Huollon merkkivalo</i>	<i>Tila</i>
Ei valoa	Huoltoa ei tarvita
Vilkkuu vihreänä	Tilaa huolto
Keltainen	Tarvitaan määräaikaistarkastus
Punainen	Suorita huolto



Älä sijoita potilasnosturia paikkaan, jossa verkkovirtakaapeli on vaikea irrottaa



Älä lataa potilasnosturia kylpyhuoneessa tai missään huoneessa, jossa pinnat ovat märkiä!

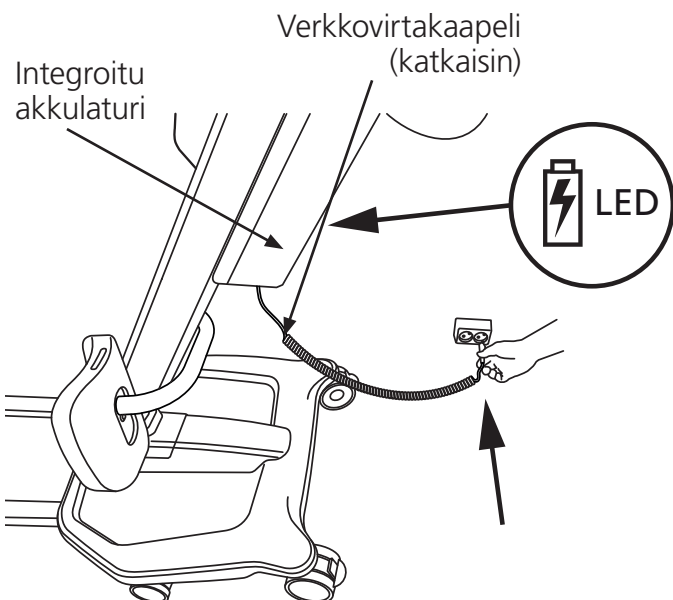


Irrota virtajohto pistorasiasta ennen potilasnosturin liikuttamista.

### Huollon merkkivalo (31.12.2017 asti)

<i>Huollon merkkivalo</i>	<i>Tila</i>
Ei valoa	Huoltoa ei tarvita
Keltainen	Tilaa huolto
Keltainen vilkkuu	Tarvitaan määräaikaistarkastus
Punainen	Suorita huolto

## Lataus



Potilasnosturissa on integroitu laturi. Pysäköi potilasnosturi ja liitä pistorasiaan akun lataamiseksi. LED-valo akkulokeron takana palaa punaisena latauksen ajan. Akkulokeron LED-valo palaa jatkuvasti vihreänä, kun potilasnosturi on ladattu täyteen. Ohjauspaneelin LED-valot vilkkuvat latauksen aikana 10 sekunnin välein.

## Siirtäminen

FI

Suunnittele nostotapahtuma etukäteen, jotta se sujuu mahdollisimman turvallisesti ja tasaisesti. Muista toimia ergonomisesti. Arvioi riskit ja tee muistiinpanoja. Avustaja vastaa käyttäjän turvallisuudesta.

### Nostoliinon käyttö

Nostoliina on testattava kunkin käyttäjän kanssa ja aiotussa nostotilanteessa.



Lue nostoliinan käyttöohje ennen käyttöä.

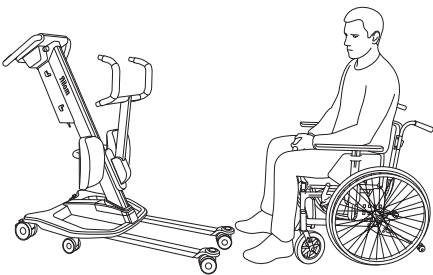


Älä käytä vaurioituneita tai pahasti kuluneita nostoliinoja.

### Muiden valmistajien nostoliinat

Käytä ainoastaan Molift-nostoliinoja. Etac ei vastaa vioista ja tapaturmista, joita voi sattua käytettäessä muiden valmistajien nostoliinoja.

### Jalkatuen säätäminen



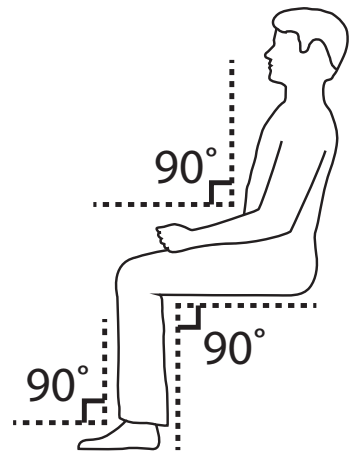
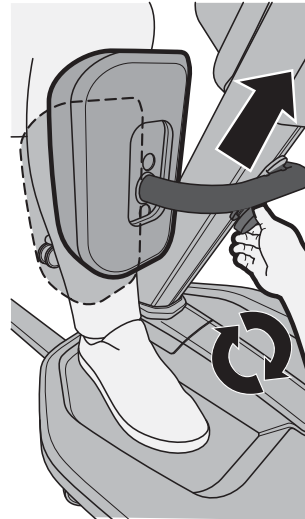
Siirrä Quick Raiser 205 käyttäjän eteen. Aseta jalat jalkalevylle. Auta tarvittaessa käyttäjää asettamaan jalkansa oikein. Lukitse potilasnosturin pyörät ennen käyttäjän nostamista.

Käyttäjän nivelten optimaalinen kulma ennen nostoa on 90 astetta.

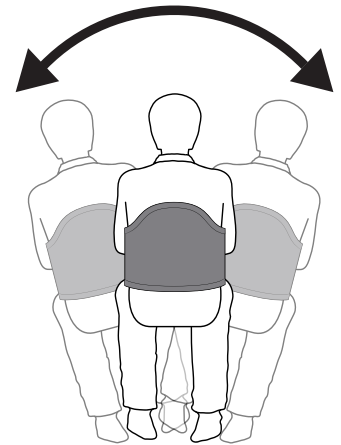
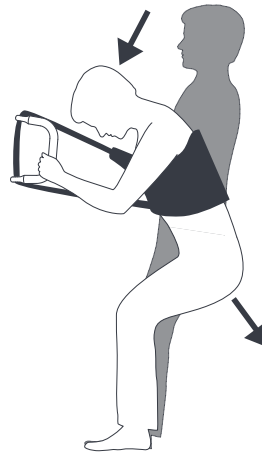


Varmista, että jalkatuen korkeus on säädetty käyttäjän yksilölliseen anatomiaan sopivaksi. Pehmusteiden yläpinnan tulisi olla 2 cm käyttäjän polven alapuolella.

Käytä tarvittaessa kääntönappia jalkatuen säätämiseksi korkeammalle tai alemmaksi.

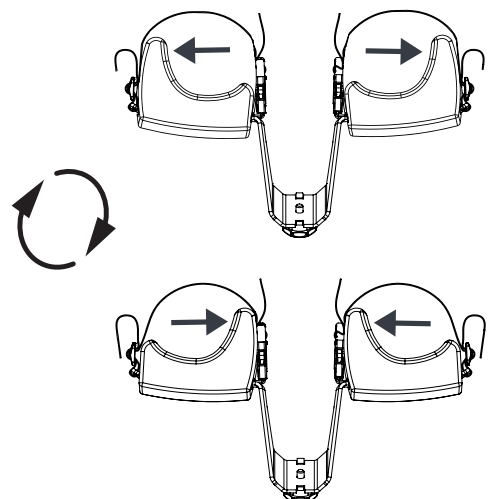


Varmista, ettei käyttäjä roiku eteenpäin tai heilahtele sivuille käyttäjän noston tai laskun aikana tai ennen sitä.

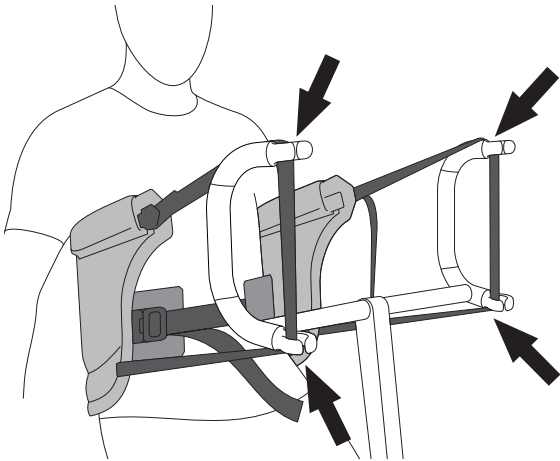


### Vaihtoehtoinen jalkatuki, jossa on hihnat

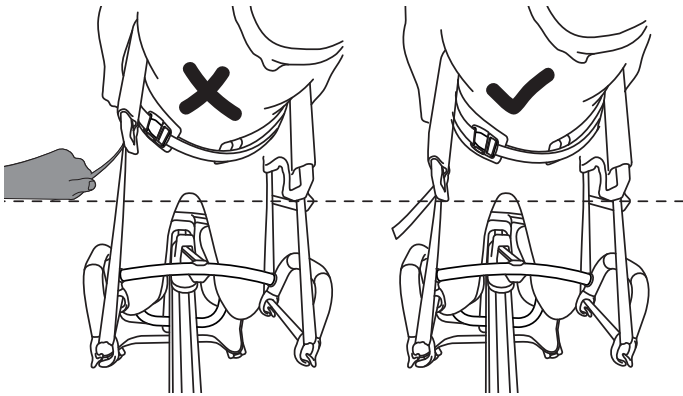
Vaihtoehtoinen hihnallinen jalkatuki voidaan irrottaa ja sitä voidaan kääntää 180 astetta tuen lisäämiseksi sekä käyttäjän jalkojen sisä- että ulkopuolella.



## 4-pisteripustuksen käyttö



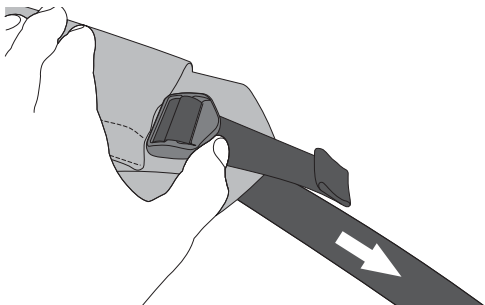
Kiinnitä nostoliina nostovarteen ohjaamalla hihna kaikkiin neljään koukkuun.



Vedä löysää hihnaa hihnojen pituuden säätämiseksi. Varmista, että pituus on sama kummallakin sivulla.

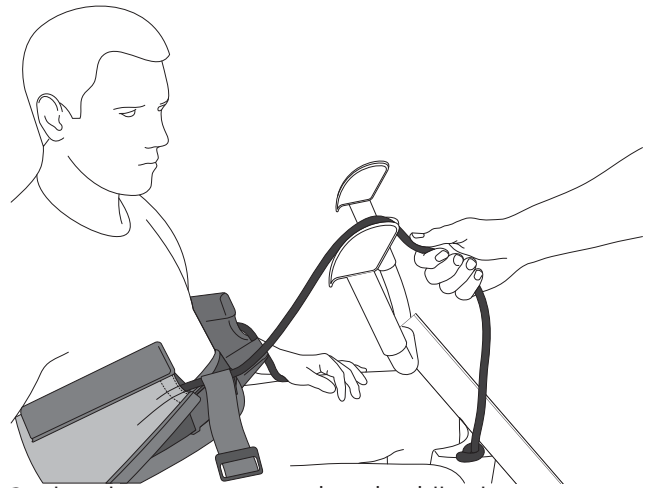
Potilaan paino varmistaa, että hihna lukittuu nostovarteen. Käyttäjän on nojattava nostettaessa hieman taaksepäin ja, jos mahdollista, pidettävä kiinni kahvoista.

### Nostoliinan poistaminen



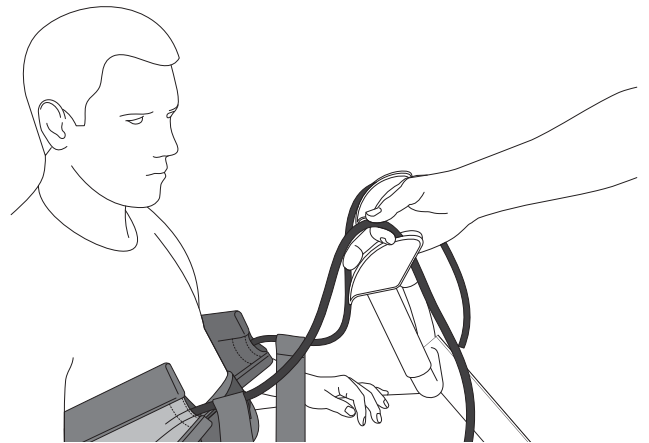
Löysää hihnoja jälleen kallistamalla lukkoa ja vetämällä hihna ulos.

## 2-pisteripustuksen käyttö



2-pisteripustusvarressa köydet kiinnitetään nostovarteen vetämällä niitä tukevasti yläpuolelta ja köysilukkoihin.

### Nostoliinan poistaminen



Vapauta hihna vetämällä sormiasi pitkin köyttä potilaasta pois päin.

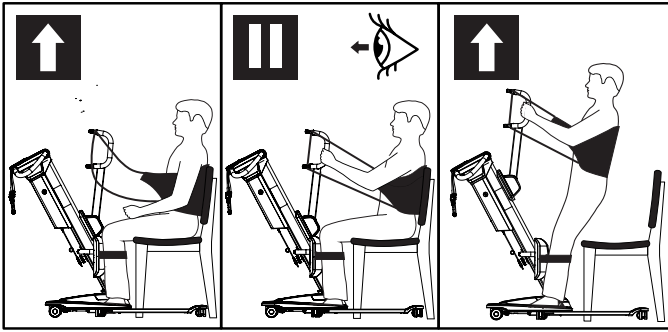


RgoSling Active -nostinta voi käyttää vain 4-pisteripustuksella. RgoSling Stand Up -nostinta voi käyttää vain 2-pisteripustuksella.

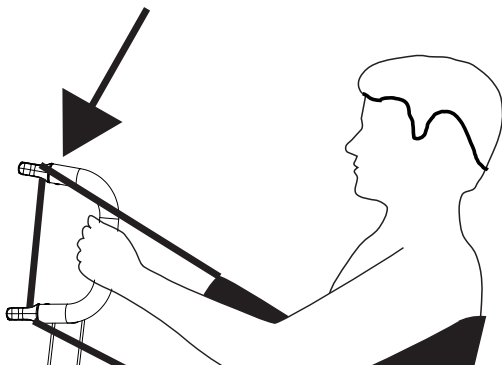
## Nostaminen/laskeminen

Kun siirät käyttäjää, seiso nostamasi henkilön vieressä. Varmista, että kädet ja jalat eivät osu istuimeen, vuoteeseen tai muihin esteisiin. Paranna käyttäjän turvallisuuden tunnetta säilyttämällä katsekontakti.

Jos mahdollista: Suurena pyöräjaluksen leveyttä ennen nostamista käyttämällä käsiohjaimessa olevaa jalustan leveyden säädintä.



1. Tarkista, että nostoliina on sovitettu oikein käyttäjän ympärille ja että hihnalenkit on kiinnitetty ripustuskoukkuihin oikein.
2. Varmista, että käyttäjän molemmat jalat ovat tukevasti potilasnosturin jalkalevyn päällä.
3. Venytä nostoliinan hihnoja käyttäjää nostamatta. Varmista, että nostoliinan molemmat silmukat on kiinnitetty tukevasti, jotta käyttäjä ei pääse luisumaan tai putoamaan.
4. Varmista, että lukko on kiinnitetty oikein.
5. Nosta käyttäjä seisaalleen, ja kiristä ja säädä nostoliinaa tarvittaessa.

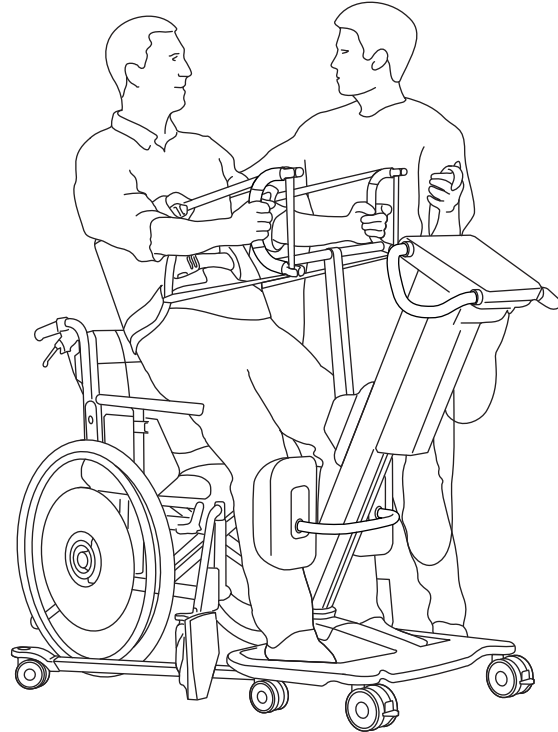


**Varmista, että käyttäjän kädet ovat oikeilla kohdilla, etteivät nostohihnat purista käyttäjän käsiä tai sormia.**

Huom! Kun käyttäjää nostetaan, tuolin/istuimen, josta häntä nostetaan, pyörien on oltava lukittuina.

## Siirtäminen

Nosta potilasta varovasti, kunnes hänen pakaransa irtoavat istuimesta, ja kiristä hihna. Avaa potilasnosturin pyörien lukitus ja siirrä potilas seuraavaan paikkaan.



Varo törmäämästä liikkeen aikana huonekaluihin, seiniin, oviin jne.



**Potilasnosturia ei saa käyttää käyttäjien nostamiseen tai siirtämiseen kaltevilla pinnoilla.**

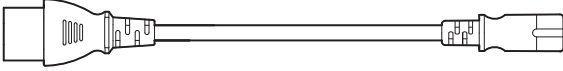
Vältä paksuja karvalankamattoja, korkeita kynnyksiä, epätasaisia pintoja ja muita esteitä, jotka voivat aiheuttaa pyörien jumitutumisen. Nosturi voi muuttua epävakaaksi, jos se viedään väkisin tällaisten esteiden yli, mikä lisää kaatumisriskiä.

Potilasnosturia saa käyttää vain lyhyillä siirtomatkoilla. Se ei korvaa pyörätuolia tai vastaavia apuvälineitä.

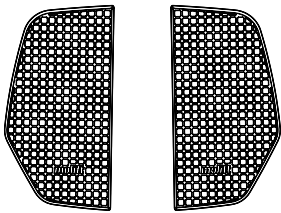
(Suositeltavat) lisälaitteet ja -varusteet Molift Quick Raiser 205 -potilasnosturille.

### Lisävarusteet

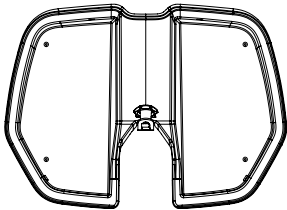
Virtajohdon jatkojohto  
Tuotenro: 2920117



Jalkalevyn kohokuviosarja  
Tuotenro: 2920151



Jalkalevy  
Tuotenro: 2910065



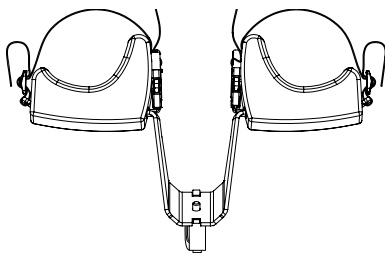
Vaihtoehtoinen jalkatuki, jossa on hihnat:

Sisältää sarjan kiinnikkeineen ja suuret pehmusteet  
Tuotenro: 2910056

Sarja suuria pehmusteita  
Tuotenro: 2910077

Sisältää sarjan kiinnikkeineen ja pienet pehmusteet  
Tuotenro: 2910059

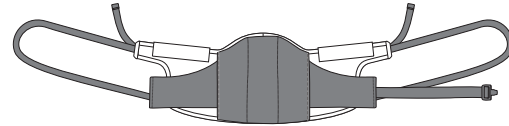
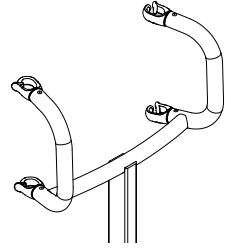
Sarja pieniä pehmusteita  
Tuotenro: 2910076



### Nostovarret ja -liinat

4-pisteripustus:

Quick Raiser Active -nostovarsi  
Tuotenro: 2910060

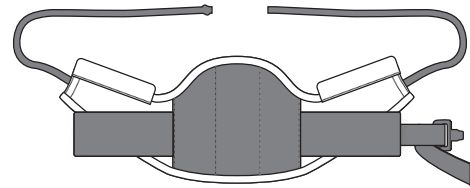
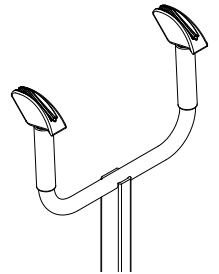


Rgosling Active

Tuotenro: 1720910	Koko XS
Tuotenro: 1720920	Koko S
Tuotenro: 1720930	Koko M
Tuotenro: 1720940	Koko L
Tuotenro: 1720950	Koko XL

2-pisteripustus:

Quick Raiser Stand Up -nostovarsi  
Tuotenro: 2910061



Rgosling Stand Up

Tuotenro: 1720710	Koko XS
Tuotenro: 1720720	Koko S
Tuotenro: 1720730	Koko M
Tuotenro: 1720740	Koko L
Tuotenro: 1720750	Koko XL

Rgosling Stand Up Padded

Tuotenro: 1720810	Koko XS
Tuotenro: 1720820	Koko S
Tuotenro: 1720830	Koko M
Tuotenro: 1720840	Koko L
Tuotenro: 1720850	Koko XL

## Kunnossapito

FI

### Puhdistus ja desinfiointi

Puhdista säännöllisesti. Puhdista pinnat kostealla liinalla käyttäen asianmukaista, pH-arvoltaan neutraalia puhdistusainetta. Älä käytä liuottimia tai vahvoja nesteitä, sillä tämä voi vahingoittaa potilasnosturin pintoja. Käytä tarvittaessa desinfiointiin isopropyylialkoholia. Vältä hankaavia puhdistustuotteita.

- Irrota nostovarren suojus puhdistaksesi sen alta
- Irrota tarvittaessa polvityyny ja puhdista se juoksevalla vedellä.
- Poista hiukset ja lika pyöristä ja varmista, että pyörät rullaavat vapaasti.

Poista kytkimestä ja käsiohjaimesta rasva ja lika puhdistamalla ne tarvittaessa isopropyylialkoholilla. Tarkasta hätäpysäytys puhdistuksen jälkeen. Potilasnosturia ei saa altistaa juoksevälle vedelle.



**Varmista, ettet vaurioita tai irrota tarroja puhdistuksen yhteydessä.**

### Kunnostus

Noudata puhdistus- ja kokoamisohjeita, tee määräaikaistarkastus ja käytä kokoamisen jälkeen sovellettavaa tarkistuslistaa nostimen käyttöönottoon.

### Kierrätys

Katso ohjeet tuotteen asianmukaiseen hävittämiseen "Kierrätysohjeista". Käy osoitteessa [www.etac.com](http://www.etac.com).

### Varaosat

Varaosaluettelo on saatavana pyynnöstä.

## Määräaikaistarkastus

### Määräaikaistarkastuksen laajuus

Määräaikaistarkastus on Molift Quick Raiser 205 -potilasnosturin määräaikaistarkastusraportin mukainen silmämääräinen tarkastus (jossa keskitytään erityisesti potilasnosturin kantavaan rakenteeseen ja nostomekanismiin sekä kiinnikkeisiin, jarruihin, säätimiin, turvalaitteisiin ja henkilökohtaisiin tukivälineisiin). Käy osoitteessa [www.etac.com](http://www.etac.com).



**Jos potilasnosturissa havaitaan turvallisuuden vaarantavia ongelmia, se tulee poistaa viipymättä käytöstä ja siihen tulee kiinnittää selkeä merkintä "epäkunnossa". Potilasnosturia ei saa käyttää, ennen kuin se on korjattu.**

Määräaikaistarkastus tulee suorittaa ainakin kerran vuodessa tai useammin, jos paikalliset vaatimukset sitä edellyttävät. Tarkastus on annettava Etacin valtuuttaman huoltohenkilöstön tehtäväksi. Ota yhteyttä Etaciin osoitteeseen [molift@etac.com](mailto:molift@etac.com) saadaksesi tietoa hyväksytyyn huoltokumppanin koulutusta ja valtuutusta tai suositusta varten.

Määräaikaistarkastusta suorittaessaan tarkastajan tulee täyttää Molift Quick Raiser 205 -potilasnosturin tarkastusraportti. Raporttien ylläpito tulee antaa nostimen huollosta vastaavien henkilöiden tehtäväksi. Jos tarkastuksessa havaitaan vikoja ja vaurioita, potilasnosturi on poistettava käytöstä ja siihen on kiinnitettävä merkintä "epäkunnossa", kunnes se on korjattu. Kun määräaikaistarkastus on suoritettu, nollaa huollon merkkivalo, katso sivu 8

Oire	Mahdollinen syy/toimenpide
Nostopilari huojuu	Lukituspultteja ei ole varmistettu kunnolla tai nostopilari ei ole kunnolla paikallaan alustassa / tarkista, onko pilari kunnolla alustassa ja/tai kiristä pultit
Potilasnosturi liikkuu vain yhteen suuntaan (ylös tai alas) / jalakset liikkuvat vain yhteen suuntaan (sisään tai ulos)	Käsiohjain viallinen / vaihda tilalle toisen potilasnosturin käsiohjain ja/tai uusi käsiohjain Elektroniikka on vioittunut / ota yhteyttä paikalliseen huoltoedustajaan
Potilasnosturi liikkuu ylös ja/tai alas itsestään / jalakset liikkuvat itsestään	Oikosulku käsiohjaimen ja potilasnosturin välillä / puhdista käsiohjaimen ja alustan liittimet alkoholilla rasvan ja lian poistamiseksi Käsiohjain on vioittunut / vaihda käsiohjain / ota yhteyttä paikalliseen huoltoedustajaan Toimintahäiriöitä releissä/elektroniikkaosissa / vaihda elektroniikkaosat/releet / ota yhteyttä paikalliseen huoltoedustajaan
Nostovarsi ei liiku / jalakset eivät liiku	Tyhjentynyt akku / lataa akku Hätäpysäytys aktivoitu / nollaa kääntämällä myötäpäivään Käsiohjaimen yhteys katkennut / yhdistä käsiohjain uudelleen Käsiohjain on vioittunut / vaihda käsiohjain / ota yhteyttä paikalliseen huoltoedustajaan Toimintahäiriöitä elektroniikkaosissa / ota yhteyttä paikalliseen huoltoedustajaan Moottori on vioittunut / ota yhteyttä paikalliseen huoltoedustajaan Tarkista pilarin ja alustan välinen liitos

# Deutsche Bedienungsanleitung

DE

## Inhalt

Molift Quick Raiser 205 .....	94
Lifter-Bestandteile .....	94
Über Molift Quick Raiser 205 .....	94
Allgemeines .....	95
CE-Erklärung .....	95
Bedingungen für die Benutzung .....	95
Garantie .....	95
Produktkennzeichnung .....	96
Technische Daten .....	97
Montage .....	99
Akku .....	99
Beinauflage .....	100
Hebesäule und Fahrgestell .....	100
Hebearm .....	101
Stromkabel .....	101
Handsteuerung .....	102
Checkliste nach Installation .....	102
Wartungsanzeige zurücksetzen .....	102
Bedienung des Molift Quick Raiser 205 ..	103
Vor Gebrauch/Täglicher Check .....	103
Handsteuerung .....	103
Schutzvorrichtungen .....	104
Steuergriffe .....	104
Bremsen .....	104
Not-Aus-Schalter/Notabsenkvorrichtung	104
Elektronik .....	105
Transport- und Betriebsbedingungen ..	105
Akku .....	105
Lade- und Serviceanzeige .....	105
Laden .....	106
Transfer .....	107
Benutzung von Hebetüchern .....	107
Anpassen der Beinlaufflage .....	107
Alternative Beinstütze mit Gurten .....	107
Verwendung eines 4-Punkt-Hebearms	108
Verwendung eines 2-Punkt-Hebearms	108
Anheben .....	109
Transfer .....	109
Zubehör .....	110
Zubehör .....	110
Hebearm und Hebetücher .....	110
Wartung .....	111
Reinigung und Desinfektion .....	111
Instandsetzung .....	111
Recycling .....	111
Ersatzteile .....	111
Regelmäßige Inspektion .....	111
Umfang der regelmäßigen Inspektion ..	111
Fehlerbehebung .....	112

## Wichtiger Hinweis

Diese Bedienungsanleitung enthält wichtige Hinweise und Informationen für den sicheren Gebrauch des Lifters und des Zubehörs.

In dieser Bedienungsanleitung bezeichnet „Benutzer“ diejenige Person, die gehoben wird. Der „Helfer“ ist diejenige Person, die den Lifter bedient.



**Warnung!**  
Dieses Symbol weist auf wichtige Sicherheitshinweise hin. Befolgen Sie diese Anweisungen bitte genau.

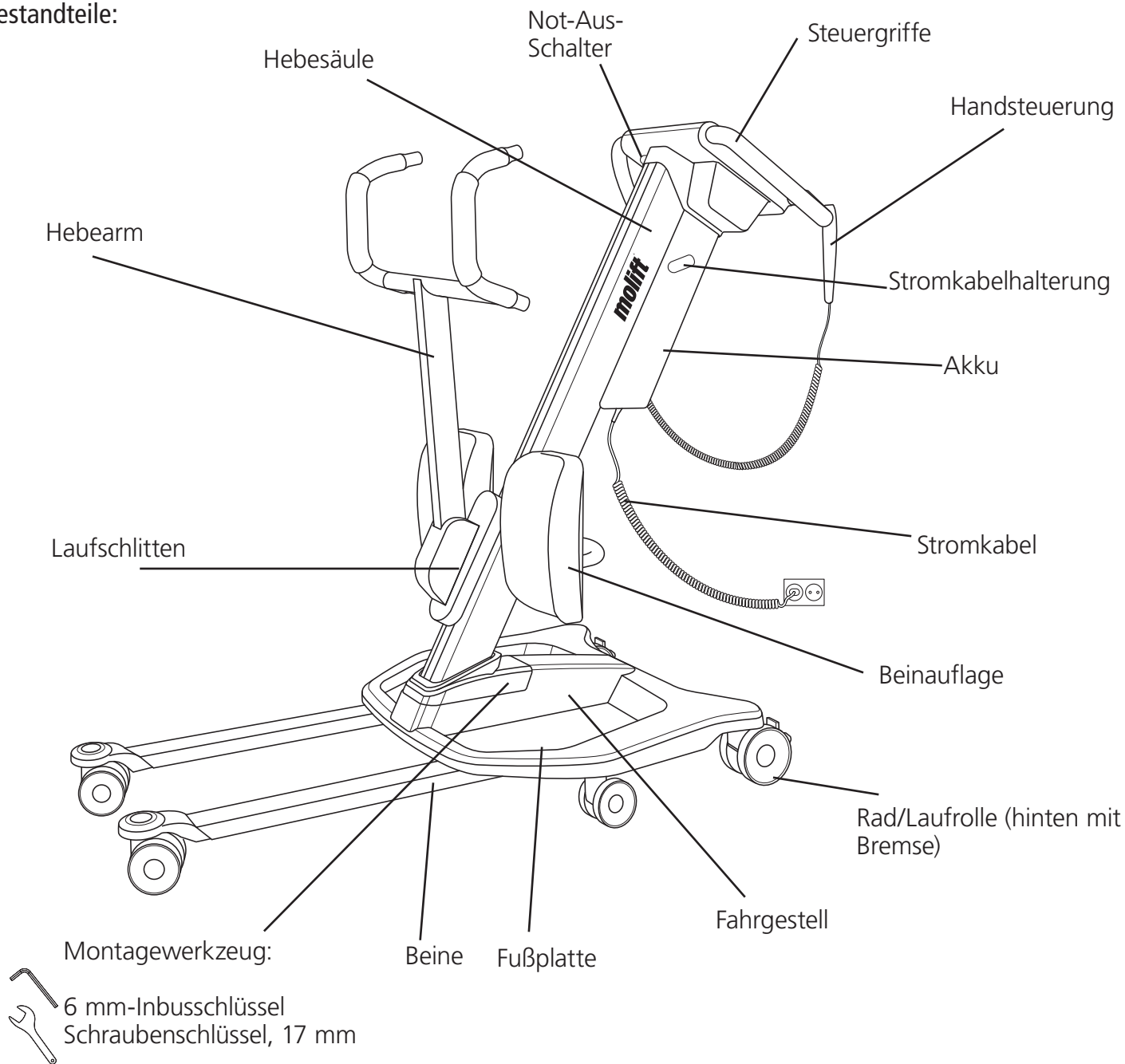


**Lesen Sie vor dem Gebrauch die Bedienungsanleitung!**  
Es ist sehr wichtig, dass Sie vor Inbetriebnahme des Geräts mit dem Inhalt der Bedienungsanleitung genau vertraut sind.

Besuchen Sie [www.etac.com](http://www.etac.com) und vergewissern Sie sich, dass Sie über die neueste Version der Bedienungsanleitung verfügen.

*Die Erklärung des Herstellers ist im Technischen Handbuch des Molift Quick Raiser (TM13001) zu finden*

Bestandteile:



Über Molift Quick Raiser 205

Der Molift Quick Raiser 205 ist ein mobiler Aufsteh-Lifter zum Aufrichten und das Transferieren von Personen von einem/auf einen Stuhl, Rollstuhl oder Toilettensitz mit einem Hebetuch. Molift Quick Raiser 205 ist für Benutzer vorgesehen, die Anleitungen befolgen können, eine gute Oberkörperstabilität haben und ihr Körpergewicht auf mindestens einem Bein halten können, aber beim Stehen Unterstützung benötigen. Die Formgebung des Lifters und die Geometrie der Hebebewegung imitieren einen natürlichen menschlichen Bewegungsablauf. Der Lifter ist aus leichtem Material hergestellt und

verfügt über Laufrollen sowie einen Elektromotor, der von einem Akku betrieben wird. Der Bedienung des Lifters erfolgt entweder über die Handsteuerung oder das Bedienfeld auf dem Lifter. Er verfügt über elektrisch verstellbare Beine und hat eine Hubkapazität von 205 kg (451 lbs). Er eignet sich ideal für Pflegeeinrichtungen, kann aber auch im häuslichen Bereich und in Pflegeheimen eingesetzt werden. Der Lifter sollte nur für Transfers über kurze Distanzen verwendet werden. Zum Beispiel von einem Stuhl in ein Bett oder Badezimmer/Toilette. Der Lifter dient nicht als Ersatz für einen Rollstuhl oder Ähnliches.

## Allgemeines

DE

### CE-Erklärung



Der in dieser Bedienungsanleitung beschriebene Molift Quick Raiser 205 samt Zubehörteilen ist CE-gekennzeichnet gemäß EU-Ratsrichtlinie 93/42/EWG über Medizinprodukte, Klasse 1, und wurde von einer unabhängigen Stelle in Übereinstimmung mit den Normen IEC 60601-1, IEC 60601-1-2 und NS-EN ISO 10535:2021 geprüft und zugelassen.

### Bedingungen für die Benutzung

Das Anheben und Umsetzen einer Person geht immer mit gewissen Risiken einher, und die Benutzung des von in diesem Handbuch behandelten Geräts und Zubehörs ist ausschließlich dafür geschultem Personal gestattet.

### Modifikationen und Verwendung von Komponenten anderer Hersteller.

Wir empfehlen die ausschließliche Verwendung von Molift-Komponenten und -Ersatzteilen von Etac. Wenn am Produkt Modifikationen vorgenommen werden, erlischt die Konformitätserklärung und die von Etac auf das Produkt gegebene Garantie. Für Probleme oder Unfälle, die bei Verwendung von Komponenten anderer Hersteller auftreten, haftet Etac nicht.

Empfohlene Größe des Nutzers: 150 - 190 cm

#### Kontraindikationen

Der Molift Quick Raiser 205 darf bei folgenden Nutzern nicht eingesetzt werden:

- Personen mit geistiger Verwirrung
- Personen mit Risiko zu Krampfanfällen
- Personen mit fehlenden oder gelähmten Extremitäten
- Personen mit Wirbelsäulenschäden
- Personen mit nicht ausreichender Rumpfstabilität



Die Anwendung darf nur nach sorgfältiger Betrachtung des einzelnen Patienten durch den Arzt und dem Pflegepersonal erfolgen.



Nur zertifiziertes Personal darf den Lifter oder das Zubehör öffnen, um eine Wartung oder Reparaturen vorzunehmen. Aufgrund beweglicher und spannungsführender Teile besteht ein Verletzungsrisiko.



#### Wiedereinsatz

Das Gerät ist für den Wiedereinsatz geeignet. Vor einem Patientenwechsel oder Wiedereinsatz befolgen Sie die Anweisungen zur Reinigung und Desinfektion, zur Wartung sowie der Montage und Anpassung.



Der Lifter darf nicht von der Person bedient werden, die gehoben wird.

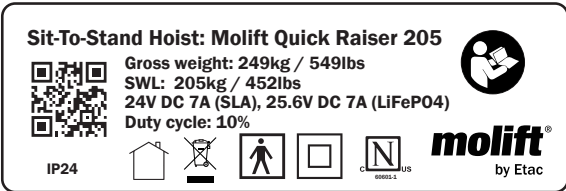
### Garantie

Für unsere Produkte gilt eine zweijährige Garantie für Material- und Fertigungsfehler. Die Allgemeinen Geschäftsbedingungen finden Sie unter [www.etac.com](http://www.etac.com)

## Produktkennzeichnung

### Produktetikett/GS1-128

Auf dem Barcode-Etikett sind EAN-Nummer, Seriennummer und Herstellungsdatum angegeben.



### Warnetiketten und Symbole

Die auf dem Produkt verwendeten Symbole haben folgende Bedeutung:



# Technische Daten Quick Raiser 205

DE

## Sichere Traglast (SWL):

205 kg (451 lbs)

## Gewicht des Geräts:

Gesamtgewicht des Geräts: 44,5 kg/98 lbs

Fahrgestell: 17 kg/37,5 lbs

Hebesäule: 19 kg/41,9 lbs

Beinauflage: 3,5 kg/7,7 lbs

4-Punkt-Hebearm: 5 kg/11 lbs

## Akku:

Bleiakku 24 V 2,9 Ah

LiFePO4 25,6 V 2,4 Ah

## Akkuladegerät:

Eingang: 100 – 240 V AC, 50 – 60 Hz,

max. 0,35 A

Ausgang: 29,4 V DC, 0,5 A

## Akku-Ladezeit:

6 Stunden

## Leistungsaufnahme maximal:

185 W

## Leistungsaufnahme „Standby“:

0.015 W (15 mW)

## Nennleistung:

100 Hubvorgänge bei: 75 kg und 500 mm

## Hubgeschwindigkeit:

52 mm/Sekunde (2 Zoll/Sekunde)

bei 0 kg (0 lbs) Belastung

43 mm/Sekunde (1,7 Zoll/Sekunde)

bei 75 kg (165 lbs) Belastung

26 mm/Sekunde (1 Zoll/Sekunde)

bei 205 kg (451 lbs) Belastung

## Schutzart:

*IP24 (kompletter Lifter).*

*Die Objektsonde, Tastkugel 12,5 mm*

*Durchmesser, darf nicht voll eindringen.*

*Wasser, das aus jeder Richtung gegen das*

*Gehäuse spritzt, darf keine schädlichen Wirkungen haben.*

## Maximaler A-bewerteter Schallleistungspegel

$L_{WA} = 52$  dB

## Bedienkraft, Taste:

Tasten auf dem Bedienfeld: < 5 N

Tasten an der Handbedienung: < 5 N

## Werkstoffe:

Aluminium, Kunststoff, Stahl

## Motor:

Hubmotor: 24 V DC

Beinspreizmotor: 24 V DC

## Drehdurchmesser:

1150 mm (45,3 Zoll)

Rollengröße vorne (Beine): 50 mm (75 mm)

Rollengröße mittig: 50 mm (75 mm)

Rollengröße hinten: 70 mm (100 mm)

## Erwartete Lebensdauer:

Der Lifter und das Zubehör haben eine erwartete Lebensdauer von 30.000 Zyklen bzw. 10 Jahren.

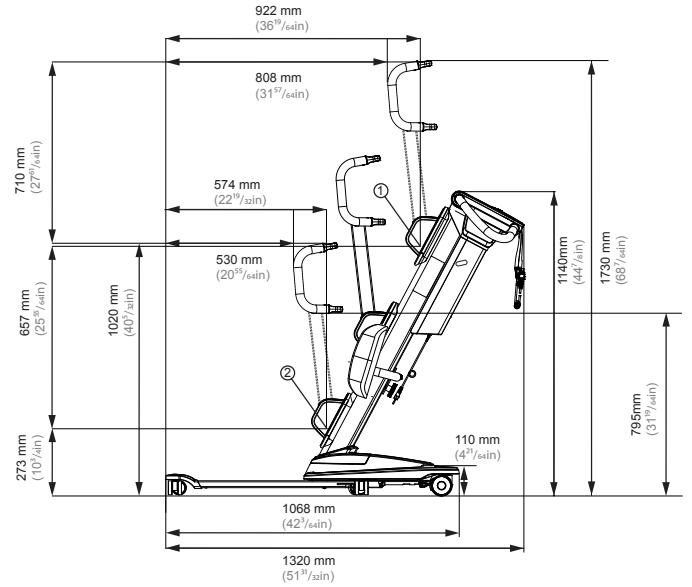
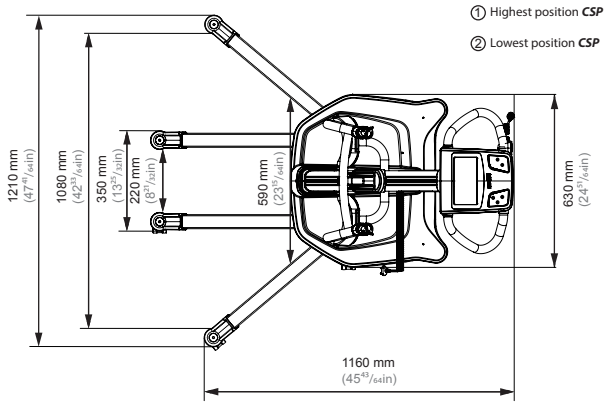
## Anwendungsteile:

Sling

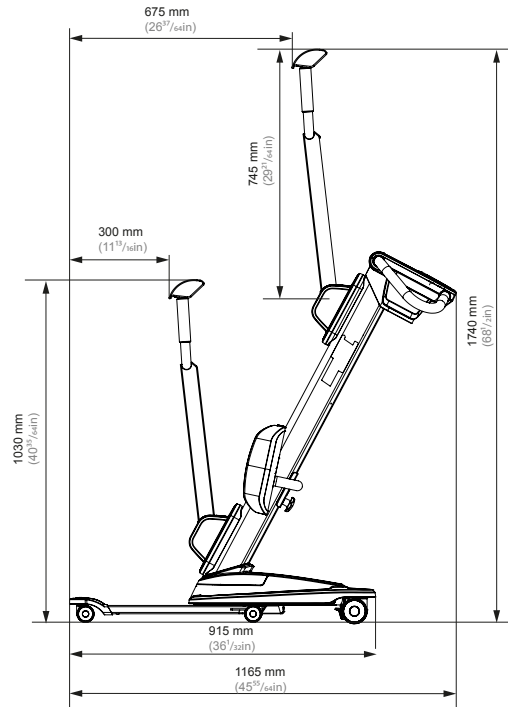
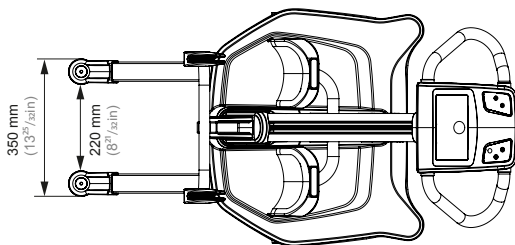
Fußstütze

Kipphebelgriffe

# Technische Daten Quick Raiser 205



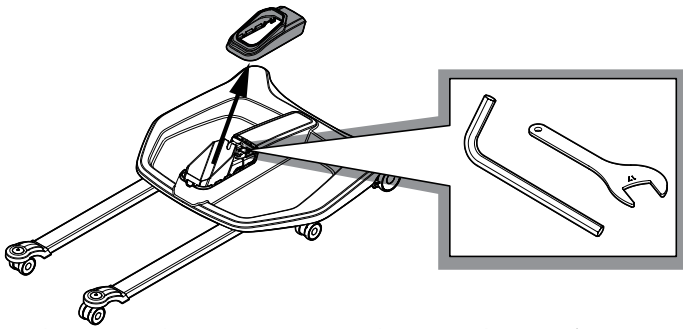
QuickRaiser 205 FL (Fixed Legs):



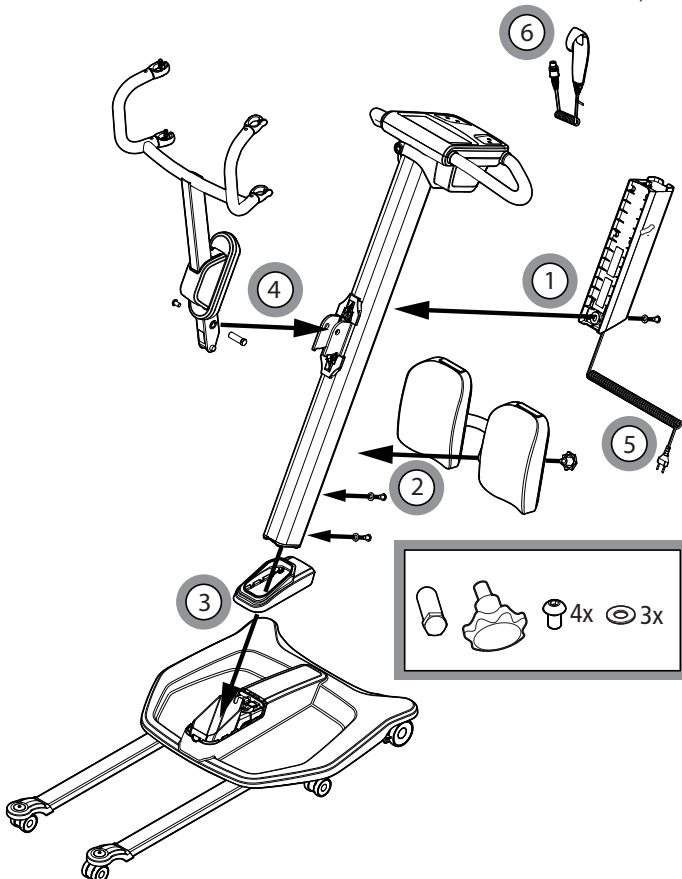
# Montageanleitung

DE

## Vor der Montage

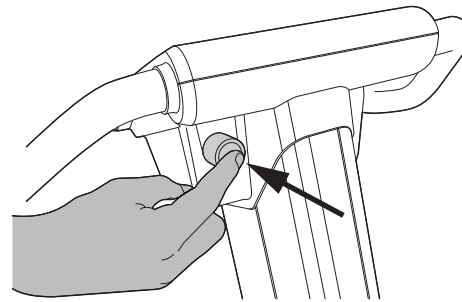


Halten Sie die Montagewerkzeuge bereit (5-mm-Inbusschlüssel und 17-mm-Schraubenschlüssel)

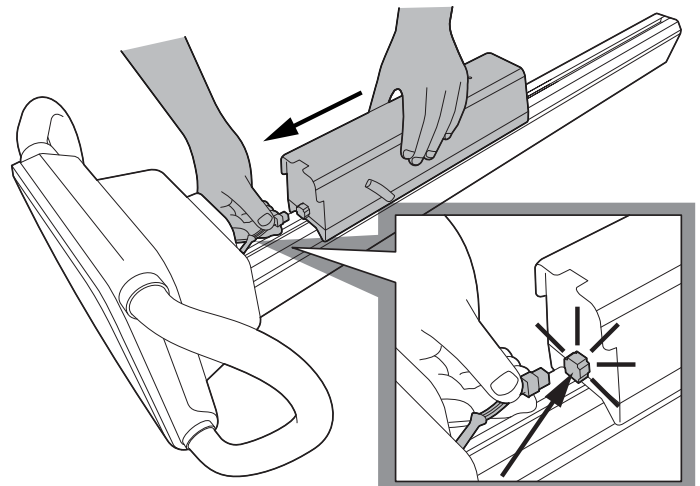


1. Akku
2. Beinauflage
3. Säule im Fahrgestell
4. Hebearm
5. Stromkabel
6. Handsteuerung

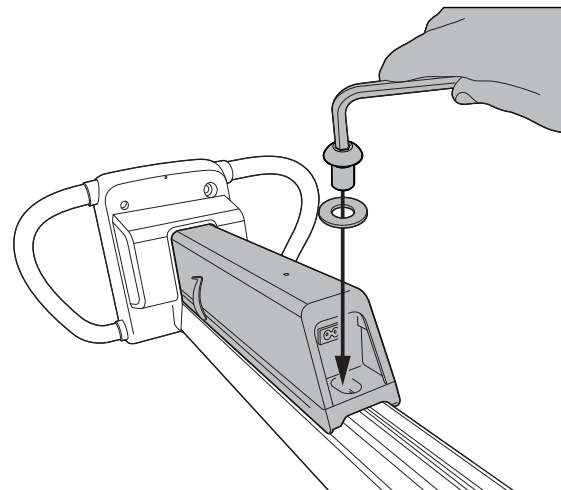
## 1 – Akku



Betätigen Sie vor der Montage den Not-Aus-Schalter



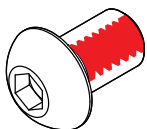
Stellen Sie die Säule auf eine waagerechte Fläche. Achten Sie darauf, dass der Not-Aus-Schalter eingedrückt ist. Verbinden Sie das Kabel des Bedienfeldes mit der Akkubox. Schieben Sie die Akkubox an ihren Platz.



Ziehen Sie mithilfe des Inbusschlüssels die Schraube im Uhrzeigersinn fest. Hinweis: Denken Sie daran, die Unterlegscheibe zu verwenden!



Der Lifter darf nur von geschultem Personal montiert werden

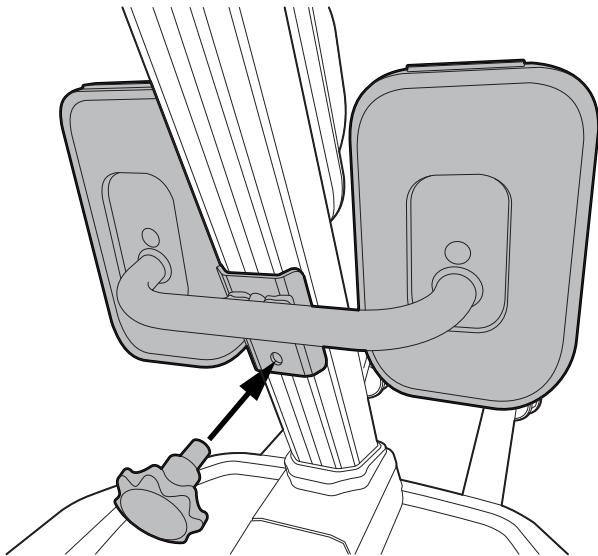


Alle Schrauben mit Gewindegewissung sollten nur einmal verwendet werden.  
Ersatzteil-Art.-Nr.: 2920075

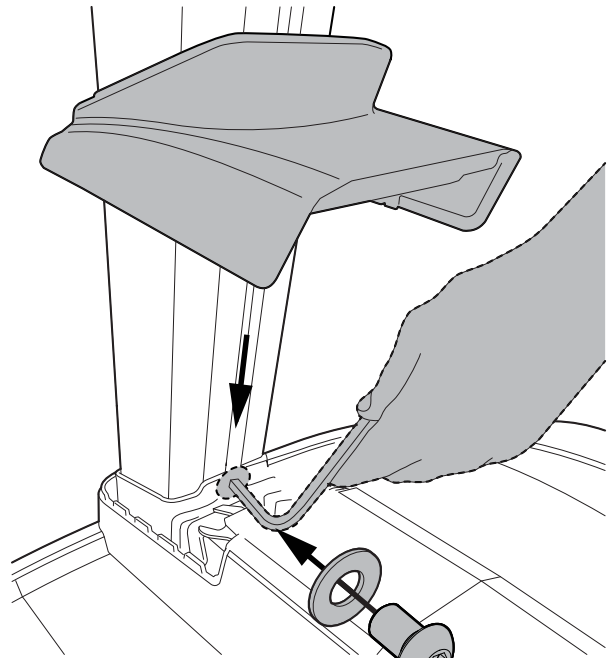


Sicherstellen, dass der Akku ordnungsgemäß befestigt ist, bevor die Säule im Fahrgestell montiert wird

## 2 – Beinauflage

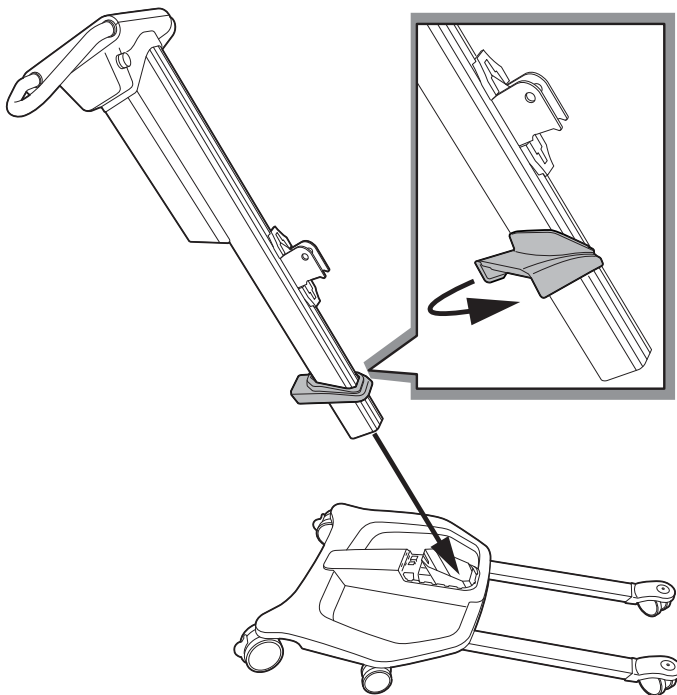


Bringen Sie die Beinstütze an.

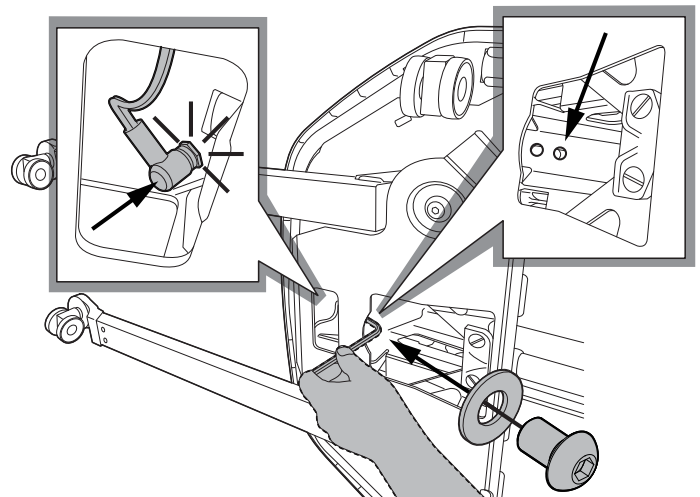


Bringen Sie die Schraube mit der Unterlegscheibe an der Säule an. Schrauben Sie die Schraube zum Fahrgestell hin fest und ziehen Sie sie an.

## 3 – Hebesäule und Fahrgestell



Setzen Sie die Abdeckung auf die Hebesäule. Drehen Sie die Abdeckung seitlich, um sie fest auf der Säule zu befestigen. Platzieren Sie die Hebesäule im Fahrgestell.

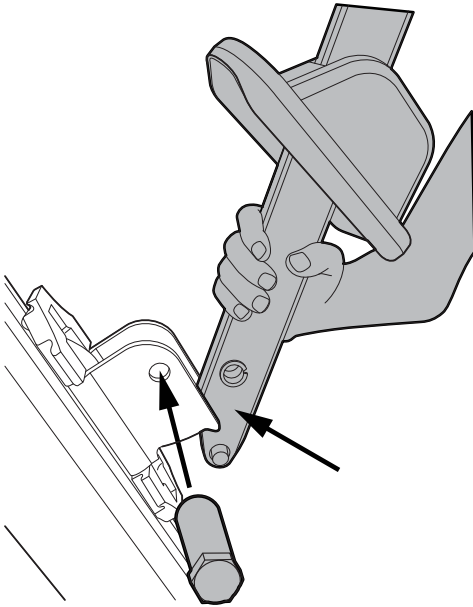


Drehen Sie den Lifter auf die Seite. Setzen Sie die Schraube und die Unterlegscheibe in das obere Loch ein und ziehen Sie die Schraube fest. Schließen Sie das Kabel zwischen Säule und Fahrgestell an.  
(Hinweis: Das Kabel kann NICHT mit der Molift Quick Raiser 205 FL Version verwendet werden!)

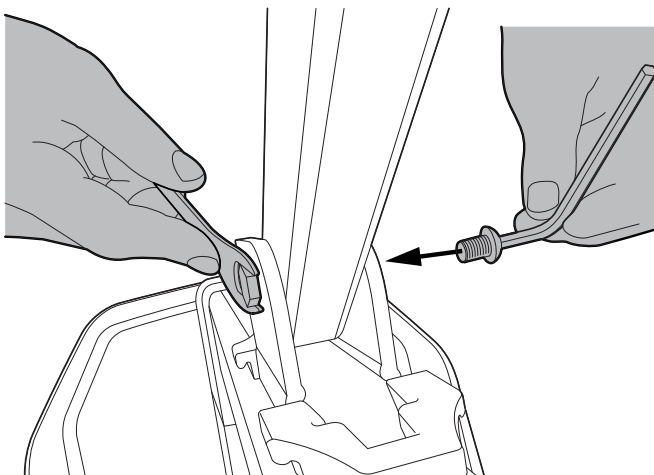


Die Schrauben sorgen dafür, dass die Säule nicht nach oben herausgezogen werden kann. Verwenden Sie den Lifter nur, wenn beide Schrauben sicher befestigt sind.

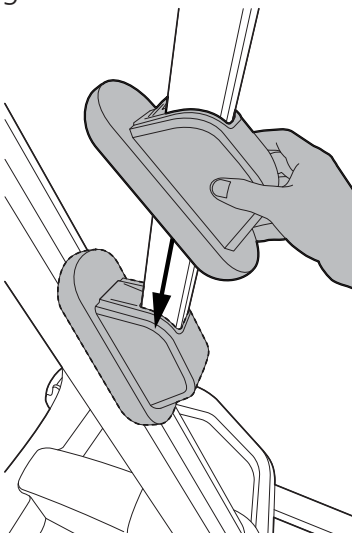
## 4 – Hebearm



Setzen Sie die Abdeckung auf den Hebearm. Platzieren Sie den Hebearm im Laufschlitten und führen Sie den Bolzen ein.

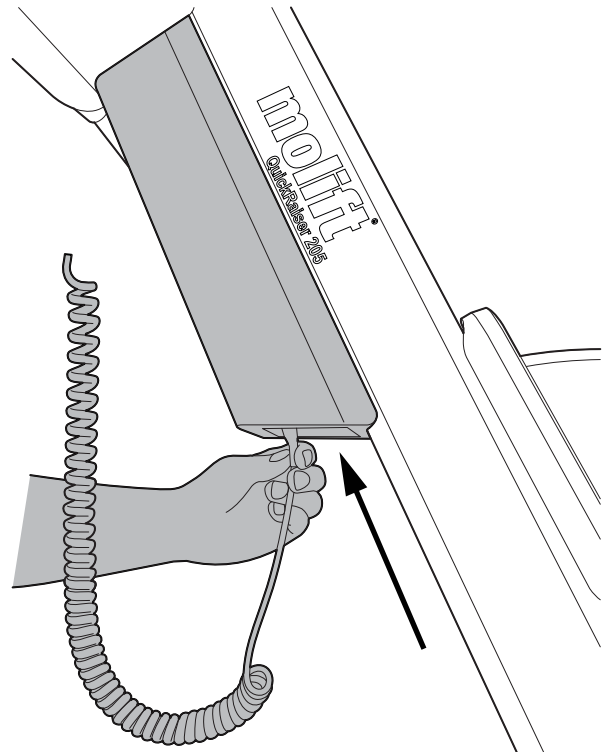


Setzen Sie den Bolzen ein und ziehen Sie die Schraube mit einem 17-mm-Schraubenschlüssel und einem 6-mm-Inbusschlüssel fest. Stellen Sie sicher, dass der Hebearm ordnungsgemäß am Laufschlitten der Säule angebracht ist.

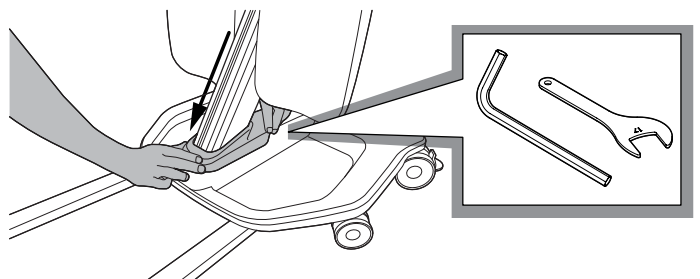


Positionieren Sie die Abdeckung auf dem Laufschlitten

## 5 – Stromkabel

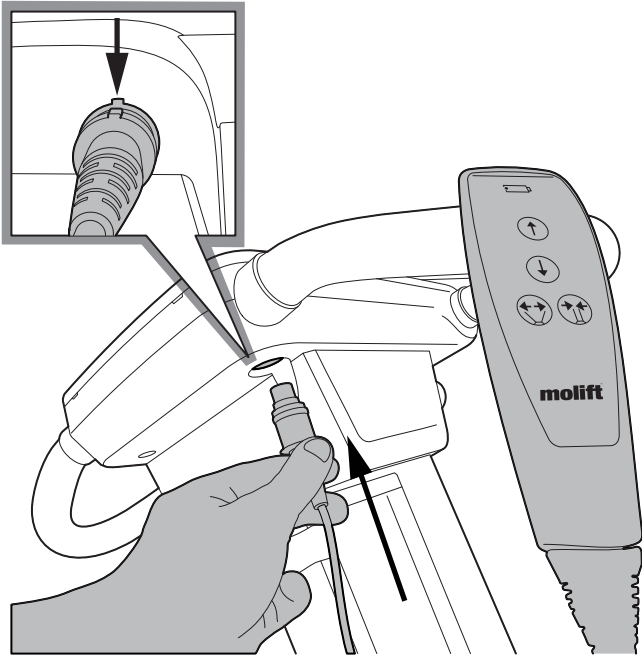


Schließen Sie das Stromkabel an der Unterseite der Akkubox an.



Montieren Sie die Abdeckung am Fahrgestell. Vergessen Sie nicht, das Werkzeug wieder an seinen Platz zu legen.

## 6 – Handsteuerung



Schließen Sie die Handsteuerung an das Bedienfeld an.



**Nehmen Sie den Lifter erst in Gebrauch, nachdem Sie nach der Montage die Checkliste durchgegangen sind.**

## Checkliste nach der Montage

Verifizieren Sie vor der Inbetriebnahme anhand dieser Checkliste, dass der Lifter ordnungsgemäß montiert ist und sicher benutzt werden kann.



**Setzen Sie die Not-Aus-Funktion nach der Montage zurück, indem Sie den Schalter im Uhrzeigersinn drehen. Die Wartungsanzeige sollte jetzt gelb leuchten. Nachdem Sie diese Checkliste abgearbeitet haben, setzen Sie die Wartungsanzeige wie in der Montageanleitung beschrieben zurück.**

- Vergewissern Sie sich, dass Beinstütze und Hebearm ordnungsgemäß befestigt wurden und der Lifter keine losen Teile aufweist.
- Stellen Sie sicher, dass die Hebesäule ordnungsgemäß im Fahrgestell befestigt wurde und dass beide Schrauben festgezogen wurden.
- Schließen Sie den Lifter an die Stromversorgung an, um sicherzustellen, dass das integrierte Akkuladegerät funktioniert. Akku bei Bedarf aufladen.
- Vergewissern Sie sich, dass der Lifter keine erkennbaren Schäden oder andere Fehler aufweist.
- Führen Sie einen Hebevorgang mit einem Gewicht durch (50–100 kg)  
Hinweis: Der Lifter ist während des Ladevorgangs nicht funktionsfähig.

## Wartungsanzeige zurücksetzen

Leuchtet die Service LED gelb auf, kontaktieren Sie bitte Ihren Molift Service Partner hinsichtlich der notwendigen Maßnahmen.

Die Wartungsanzeige wird nach zwölf Monaten erneut gelb aufleuchten, wenn die nächste turnusmäßige Wartung ansteht.

# Bedienung des Molift Quick Raiser 205

DE

## Allgemeine Sicherheitshinweise

Benutzen Sie nur Zubehör und Hebetücher, die dem Benutzer, der Art seiner Behinderung, seiner Größe und Gewicht und der Art der Umsetzung angepasst sind.

## Verhältnis Betriebszeit zu Pausen/Arbeitszyklus.

Der Molift Quick Raiser 205 sollte nicht mehr als zwei Minuten am Stück betrieben werden (unter maximaler Belastung) und dann mindestens 18 Minuten pausieren. Arbeitszyklus 10 %. (Pausenzeit gemäß ISO-EN 10535)

## Sichere Traglast (SWL)

Der Lifter verfügt über eine sichere Traglast (SWL)



Falls sich die zulässige maximale Traglast (SWL) des Lifters, der Aufhängung und des Trageteils unterscheidet, so ist stets der niedrigere Wert ausschlaggebend



Lifter von Molift dürfen ausschließlich zum Heben von Personen verwendet werden. Setzen Sie den Lifter niemals zum Heben oder Bewegen von Objekten aller Art ein.

## Vor Gebrauch/Täglicher Check

Die folgenden Prüfmaßnahmen sind täglich bzw. vor Benutzung durchzuführen:

- Vergewissern Sie sich, dass der Lifter keine sichtbaren Schäden, Defekte oder Verformungen aufweist
- Vergewissern Sie sich, dass die Hebearmverbindung, die Beinstütze, die Akkubox und alle abnehmbaren Teile ordnungsgemäß verbunden und gesichert sind
- Test des Not-Aus-Schalters
- Überprüfen Sie die Ladeanzeige und die Wartungsanzeige

- Vergewissern Sie sich, dass die Hebegurte keine sichtbaren Schäden oder Ausfransungen aufweisen.
- Vergewissern Sie sich, dass die Laufrollen problemlos funktionieren und der Lifter leicht zu bewegen ist
- Testen Sie die operativen Funktionen des Lifters mithilfe eines Probelaufs und stellen Sie sicher, dass der Lifter keine ungewöhnlichen Geräusche macht



Bei Störungen oder Defekten ist der Lifter umgehend aus dem Betrieb zu nehmen und entsprechend zu kennzeichnen („außer Betrieb“)

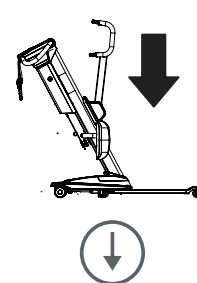
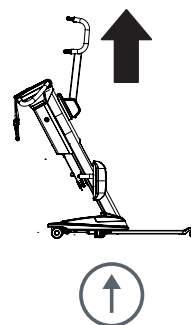
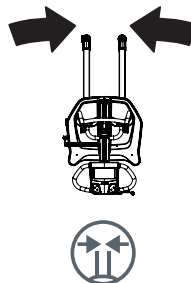
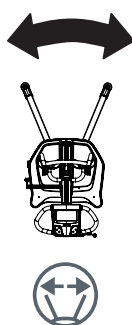
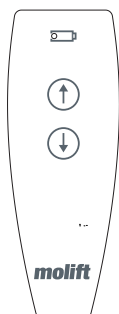
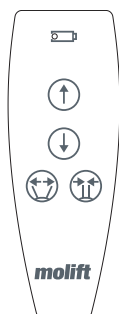
## Handsteuerung

Die Handsteuerung verfügt über vier Tasten zum Anheben und Absenken des Hebearms und für das Öffnen und Schließen des Beinspreizmechanismus.

Die Handsteuerung verfügt über ein Anzeigelicht, dass bei niedrigem Ladezustand des Akkus leuchtet und so darauf hinweist, dass der Akku geladen werden muss.

Handsteuerung 4 Tasten: Art.-Nr. 2910010

Handsteuerung 2 Tasten: Art.-Nr. 2910011



## Hebearm – nach oben/unten

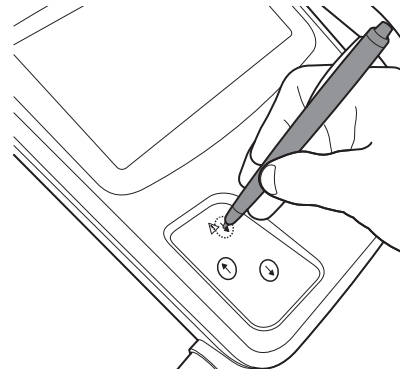
Hinweis: Der Lifter ist sehr wackelig, wenn er sich in seiner höchsten Position befindet.

## Beine – Einfahren/Ausfahren

Hinweis: Gespreizte Beine sorgen für erhöhte Stabilität und einen besseren Zugang zum Stuhl bzw. zur Toilette.

## Schutzvorrichtungen

Der Molift Quick Raiser 205 ist mit diversen Schutzvorrichtungen ausgestattet, die im Falle einer falschen Benutzung oder einer Fehlfunktion Personen- bzw. Sachschäden vermeiden sollen. Der Lifter ist mit einem Überlastungssensor ausgestattet, der die Bedienung des Lifters im Falle einer Überschreitung der sicheren Traglast (SWL) verhindert. Die Aufhängung ist abschwenkbar, um ein Einklemmen des Benutzers durch den Arm bzw. die Aufhängung zu verhindern.



## Elektrische Notabsenkung

Nehmen Sie einen Stift oder einen anderen spitzen Gegenstand zur Hand und halten Sie die Taste für die elektrische Notabsenkung gedrückt, um die Aufhängung zu senken. Die elektrische Notabsenkfunktion steht nicht zur Verfügung, wenn der Not-Aus-Schalter betätigt worden ist.

## Steuergriffe

Verwenden Sie die Steuergriffe, um den Lifter zu bewegen.



**Schieben bzw. ziehen Sie nicht am Benutzer, der Hebesäule oder dem Hebearm.** Dies kann die Stabilität beeinträchtigen und dazu führen, dass der Lifter umkippt.

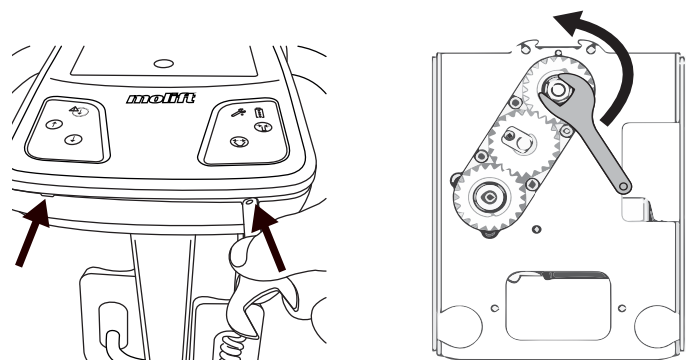
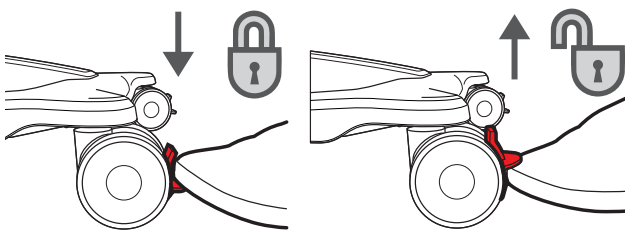
Der Lifter sollte nur zum Umsetzen über kurze Distanzen verwendet werden. Der Lifter dient nicht als Ersatz für einen Rollstuhl oder Ähnliches.



**Verwenden Sie die elektrische Notabsenkung nur, wenn keine andere Taste mehr funktioniert.**

## Bremsen

Die hinteren Räder/Laufrollen sind mit Trittbremsen ausgestattet. Treten Sie auf die Bremse, um die Bremsen zu arretieren. Drücken Sie die Bremse nach oben oder treten Sie auf den oberen Teil der Bremse, um sie zu lösen.



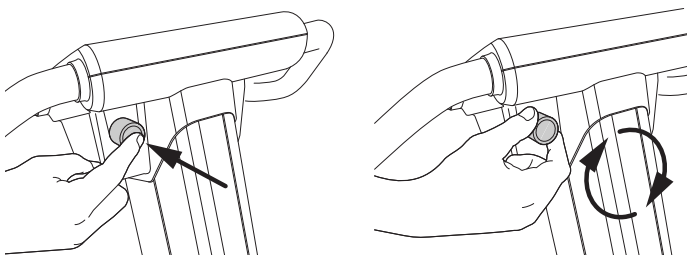
## Manuelle Notabsenkung

Nutzen Sie den Schraubenschlüssel in der unteren Abdeckung, um die Abdeckung des Bedienfelds an den beiden Punkten zu entfernen.



**Vor Entfernen der Abdeckung den Not-Aus-Schalter betätigen.** Es besteht Quetschgefahr durch bewegende Teile!

## Not-Aus-Schalter/Notabsenkung



## Not-Aus-Schalter

Der Not-Aus-Schalter unterbricht die Stromversorgung, wenn er eingedrückt wird. Durch Drehen im Uhrzeigersinn lässt er sich wieder zurückstellen.



**Kommt die Notabsenkung zum Einsatz, kennzeichnen Sie den Lifter mit „außer Betrieb“ und fordern Sie eine Wartung an!**

# Steuerelektronik

DE

## Transport- und Betriebsbedingungen

### Transport und Lagerung

Für die langfristige Lagerung wird empfohlen, den Not-Aus-Schalter zu aktivieren (eindrücken). Der Lifter kann bei Umgebungstemperaturen von - 25 bis + 70 °C gelagert und transportiert werden.

### Betrieb

Der Lifter ist auf die Benutzung bei Zimmertemperaturen ausgelegt (+ 5 bis + 40 °C).

Luftdruck: 70 - 106 kPa

Relative Luftfeuchtigkeit: 15 - 93 %

Nach einer Lagerung oder einem Transport unter abweichenden Temperaturbedingungen muss der Lifter in einem Raum mit geeigneter Temperatur gelagert werden, bis er eine sichere Betriebstemperatur erreicht hat.



**Medizinische Elektrogeräte bedürfen spezieller Sicherheitsmaßnahmen in Bezug auf elektromagnetische Kompatibilität (EMK). Tragbare oder mobile Funkkommunikationsgeräte können die Funktion medizinischer Elektrogeräte beeinträchtigen und sollten stets mindestens 25 cm (10 Zoll) Abstand zur Lifter-Elektronik haben.**

## Akku

Der Molift Quick Raiser 205 ist mit einem 24-V-Bleiakku oder einem 25,6-V-LiFePO4-Akku erhältlich – beide mit einem eingebauten Ladegerät.



Der Bleiakku hat eine Lebensdauer von ca. 500 Ladezyklen.

Der LiFePO4-Akku hat eine Lebensdauer von ca. 2000 Ladezyklen.



**Akkus müssen als Sondermüll entsprechend der einschlägigen lokalen Bestimmungen entsorgt werden. Nicht im Hausmüll entsorgen**






## Lade- und Serviceanzeige

	Schraubenschlüsselsymbol/ Serviceanzeige
	Batteriesymbol/Ladeanzeige

Das elektrische System verfügt über eine Stromsparfunktion, durch die das elektrische System fünf Minuten nach der letzten Aktivität abschaltet. Alle Anzeigen erlöschen. Das System kann durch Betätigung einer der Bedientasten wieder aktiviert werden.

### Akkuanzeige auf dem Bedienfeld

Wenn die mehrstufige Akkuanzeige gelb aufleuchtet, hat der Lifter noch ausreichend Energie für einen vollen Hebezyklus mit maximaler Last. Wenn die Batterieanzeige gelb aufblinkt, kann der Hebearm nur noch abgesenkt werden.

<i>Ladeanzeige</i>		<i>Akkuladestand</i>
	Grün	80 % oder mehr
	Grün	80 - 60 %
	Grün	60 - 40 %
	Grün	40 - 20 %
	Gelb oder gelb blinkend	20 % oder weniger (Lifter wieder aufladen)

### Wartungsanzeige

Die Elektronik des Lifters registriert, wie viele Hebevorgänge mit welcher Gewichtsbelastung durchgeführt wurden. Nach einer bestimmten Gebrauchsdauer leuchtet die LED auf, um die Notwendigkeit einer Wartung anzuzeigen.

### Wartungsanzeige (ab 1.1.2018)

Wartungsanzeige	Zustand
Kein Licht	Keine Wartung erforderlich
Grün blinkend	Wartung anfordern
Gelb	Regelmäßige Inspektion erforderlich
Rot	Wartung durchführen

### Wartungsanzeige (bis zum 31.12.2017)

Wartungsanzeige	Zustand
Kein Licht	Keine Wartung erforderlich
Gelb	Wartung anfordern
Gelbes Blinken	Regelmäßige Inspektion erforderlich
Rot	Wartung durchführen

Ladevorgangs rot. Ist der Lifter vollständig geladen, leuchtet die LED-Anzeige auf der Akkubox gleichmäßig grün. Während des Ladevorgangs blinken die LED-Anzeigen auf dem Bedienfeld im 10-Sekunden-Takt.



Positionieren Sie den Lifter nicht so, dass das Herausziehen des Netzkabelsteckers erschwert wird.

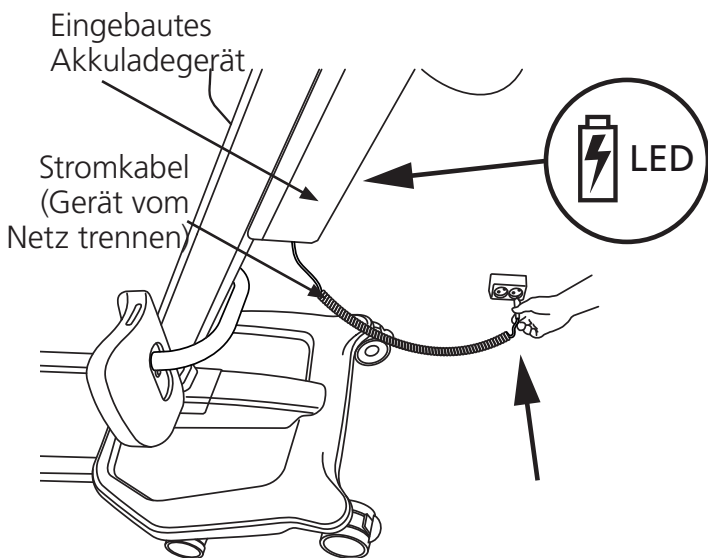


Laden Sie den Lifter nicht im Badezimmer oder einem anderen Raum mit feuchten Oberflächen auf!



Das Stromkabel aus der Wandsteckdose ausstecken bevor der Lifter bewegt wird

### Laden



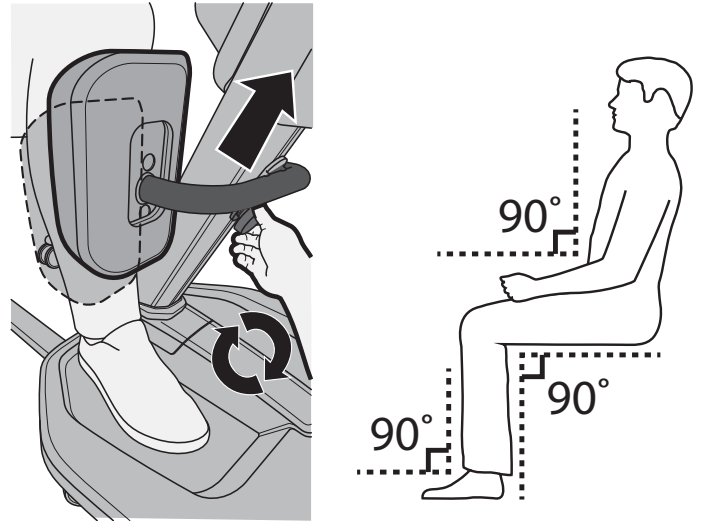
Der Lifter verfügt über ein eingebautes Ladegerät. Um den Akku aufzuladen, stellen Sie den Lifter ab (gegen Wegrollen gesichert) und schließen Sie ihn an eine Steckdose an. Eine LED-Anzeige auf der Rückseite der Akkubox leuchtet während des

# Transfer

DE

Planen Sie den Hebetransfer im Voraus, um sicherzustellen, dass alles so sicher und störungsfrei wie nur möglich abläuft. Denken Sie an eine ergonomische Arbeitsweise. Bewerten Sie die Risiken und machen Sie entsprechende Notizen. Der Helfer ist für die Sicherheit des Benutzers verantwortlich.

Falls nötig, erhöhen Sie die Beinstütze mithilfe des Drehknopfes bzw. senken Sie sie ab.



## Benutzung von Hebetüchern

Es ist wichtig, dass das Hebetuch mit jedem einzelnen Benutzer und für jede Hebesituation individuell getestet wird.



Vor dem Gebrauch des Hebetuchs die Bedienungsanleitung lesen.



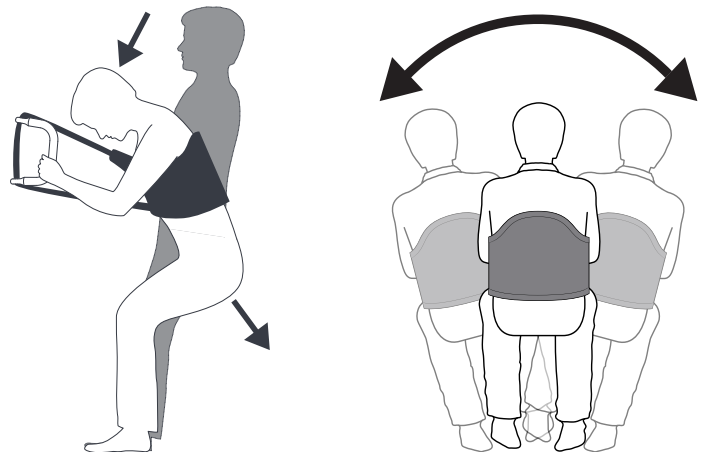
Keine beschädigten oder stark abgenutzten Hebetücher verwenden.



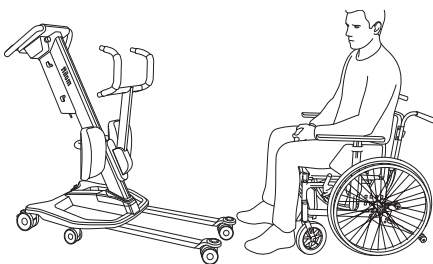
Vor Anheben oder Absenken des Benutzers sicherstellen, dass der Benutzer nicht nach vorn gelehnt ist oder zu den Seiten schwingt.

## Hebetücher anderer Hersteller

Verwenden Sie nur Hebetücher von Molift. Für Probleme oder Unfälle, die bei Verwendung der Hebetücher anderer Hersteller auftreten, haftet Etac nicht.



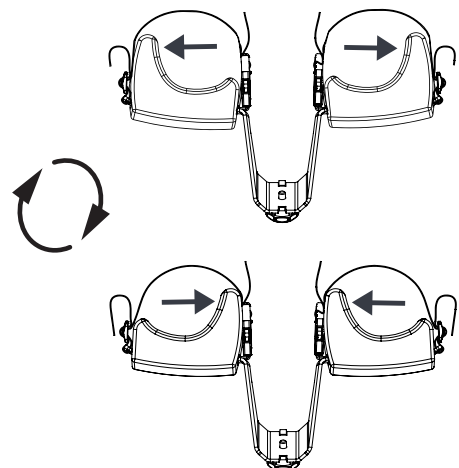
## Anpassen der Beinlaufflage



Platzieren Sie den Quick Raiser 205 vor dem Benutzer. Stellen Sie die Füße auf die Fußplatte. Helfen Sie, falls erforderlich, dem Benutzer beim richtigen Platzieren der Füße. Vor Anheben des Benutzers die Rollen am Lifter feststellen. Idealerweise befinden sich die Gelenke des Benutzers vor dem Anheben in einem Winkel von 90 Grad.

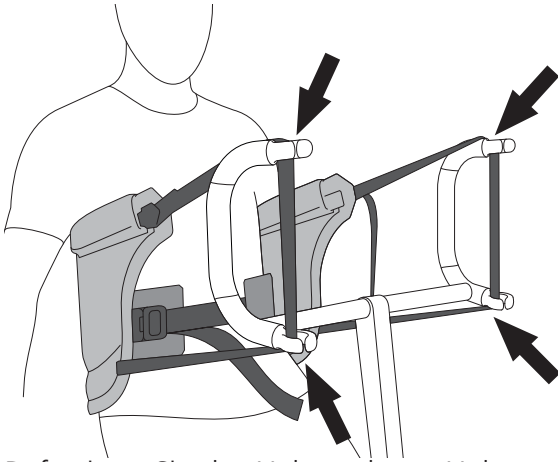
## Alternative Beinstütze mit Gurten

Die alternative Beinstütze mit Gurten kann entfernt und um 180 Grad gedreht werden, um die Unterstützung an der Innen- und Außenseite der Beine des Benutzers zu verbessern.

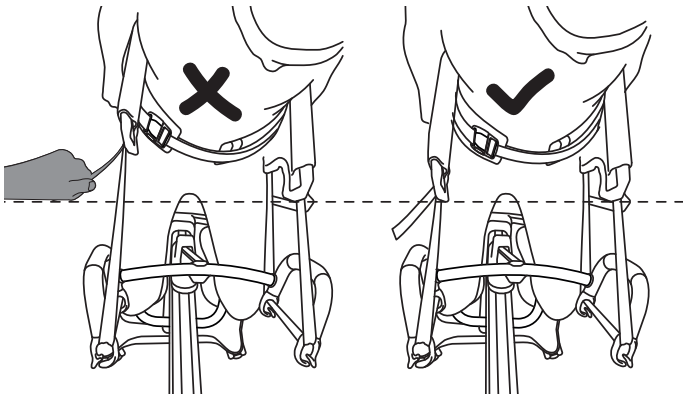


Sorgen Sie dafür, dass die Höhe der Beinauflage auf die Anatomie des jeweiligen Benutzers ausgerichtet ist. Die Oberseite der Polster sollte 2 cm unterhalb des Knies des Benutzers liegen

### Verwendung einer 4-Punkt-Aufhängung



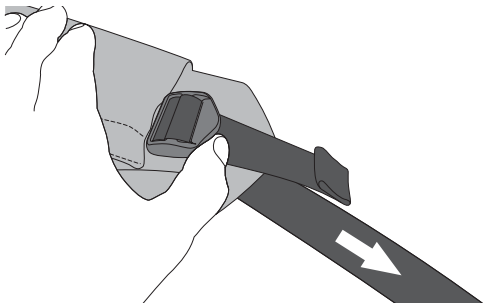
Befestigen Sie das Hebetuch am Hebearm, indem Sie den Gurt an allen vier Haken befestigen.



Ziehen Sie am losen Gurt, um die Gurtlängen einzustellen. Achten Sie darauf, dass beide Seiten gleich lang sind.

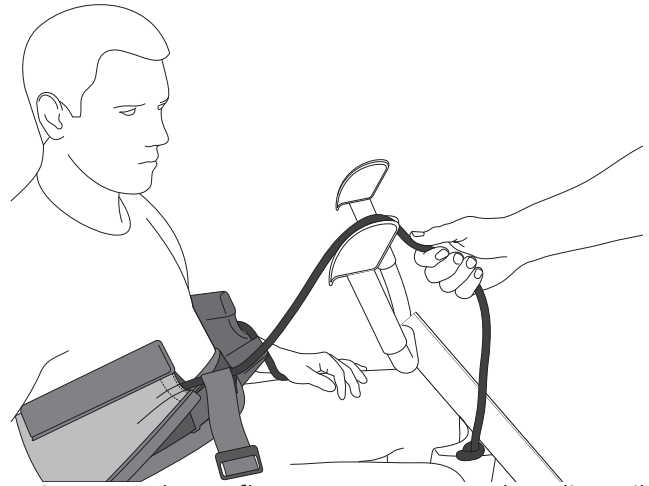
Durch das Gewicht des Patienten verklemmt sich der Gurt im Hebearm. Der Benutzer muss sich beim Heben leicht zurücklehnen und sich, falls möglich, an den Griffen festhalten.

### Entfernen des Hebetuchs



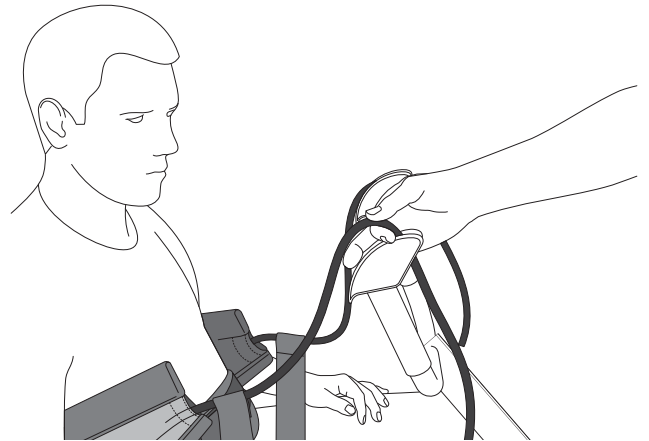
Lösen Sie die Gurte wieder, indem Sie Schnalle anwinkeln und den Gurt herausziehen.

### Verwendung einer 2-Punkt-Aufhängung



Beim 2-Punkt-Aufhängungsarm werden die Seile am Hebearm befestigt, indem Sie sie unter festem Zug von oben in die Seilarretierung führen.

### Entfernen des Hebetuchs



Lösen Sie das Band, indem Sie Ihre Finger entlang des Seils vom Patienten weg gleiten lassen.

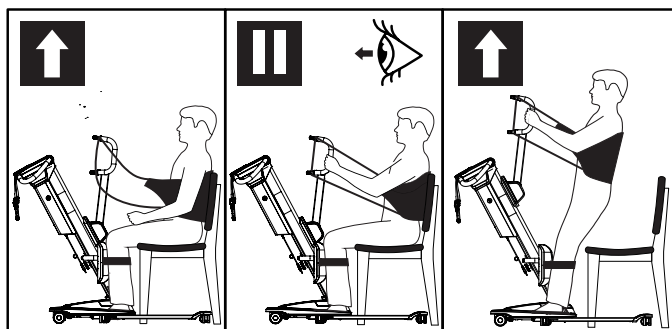


RgoSling Active kann nur mit einer 4-Punkt-Aufhängung benutzt werden. RgoSling Stand Up kann nur mit einer 2-Punkt-Aufhängung benutzt werden.

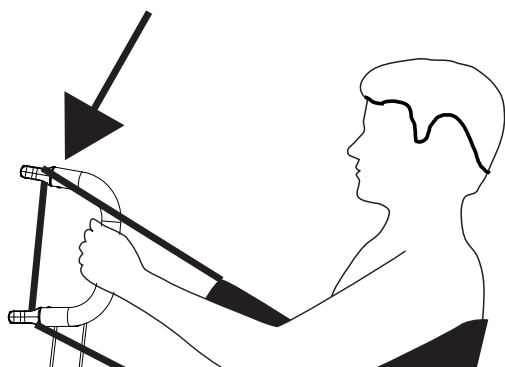
## Anheben/Absenken

Wenn Sie den Benutzer bewegen, stellen Sie sich beim Anheben neben die Person. Sorgen Sie dafür, dass deren Arme und Beine nicht eingeklemmt werden (Bett, Stuhl usw.). Versuchen Sie, Augenkontakt zu halten, denn dadurch fühlt sich der Benutzer gut aufgehoben.

Wenn möglich: Verbreitern Sie vor dem Anheben das Fahrgestell mit der Breitenverstellungstaste der Handsteuerung.



1. Stellen Sie sicher, dass das Hebetuch ordnungsgemäß am Benutzer anliegt und die Gurtschlaufen ordnungsgemäß an den Aufhängungshaken befestigt sind.
2. Stellen Sie sicher, dass beide Füße des Benutzers fest auf der Fußplatte des Lifters platziert sind.
3. Ziehen Sie die Schlaufengurte des Hebetuchs an, ohne dabei den Benutzer anzuheben. Stellen Sie sicher, dass beide Schlaufen des Hebetuchs korrekt befestigt sind, um ein Herausrutschen oder Herausfallen des Benutzers zu verhindern.
4. Stellen Sie sicher, dass die Schnalle ordnungsgemäß geschlossen ist
5. Heben Sie den Benutzer in den Stand, ziehen Sie das Hebetuch fest bzw. richten Sie es bei Bedarf.

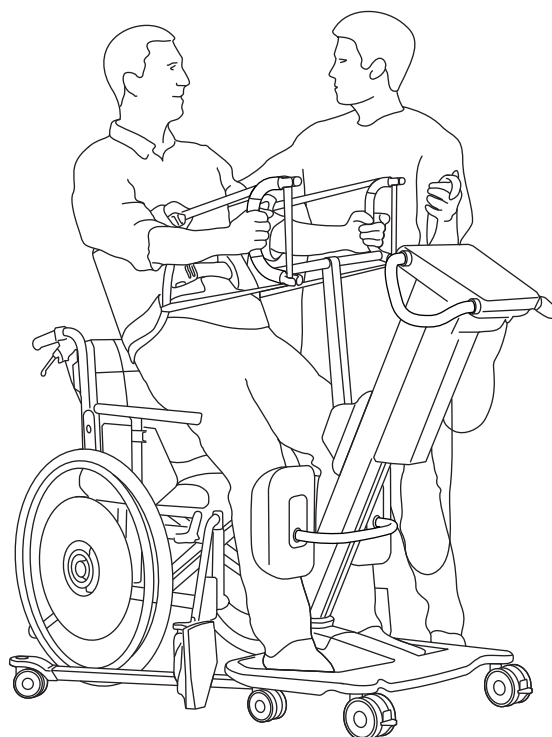


Sicherstellen, dass die Hände des Benutzers korrekt positioniert sind, um das Gefühl zu vermeiden, die Gurte würden die Hände und Finger des Benutzers einklemmen.

Hinweis: Die Räder der Vorrichtung, von der bzw. auf die der Benutzer transferiert wird, müssen arretiert sein.

## Transfer

Heben Sie den Patienten vorsichtig an, bis er keinen Kontakt mehr mit der Sitzfläche hat, und ziehen Sie den Gurt fest. Lösen Sie die Bremsen der Lifterräder und führen Sie den Transfer durch.



Achten Sie während des Transfers besonders darauf, Kollisionen mit Möbeln, Wänden, Türen etc. zu verhindern.



**Der Lifter darf nicht dazu benutzt werden, Benutzer auf unebenen Flächen hochzuheben oder zu bewegen**

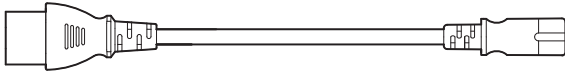
Vermeiden Sie hochflorige Teppiche, hohe Türschwellen, unebene Oberflächen und andere Hindernisse, die die Lenkräder blockieren könnten. Wenn der Lifter mit Gewalt über derartige Hindernisse hinwegbewegt wird, kann er instabil werden, wodurch die Kipp-/Umsturzgefahr erhöht wird.

Der Lifter darf nur für Transfers über kurze Strecken verwendet werden. Er ist kein Ersatz für einen Rollstuhl oder Ähnliches.

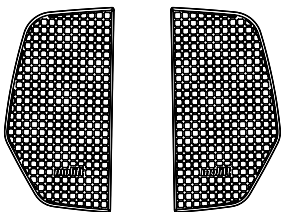
(Empfohlenes) optionales Zubehör und Gerät für Molift Quick Raiser 205.

Zubehör

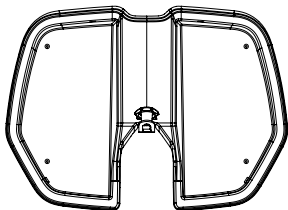
Verlängerung für Stromkabel  
Art.-Nr.: 2920117



Satz Einlagen für Fußplatte  
Art.-Nr.: 2920151



Fußbrett  
Art.-Nr.: 2910065



Alternative Beinstütze mit Gurten:

Kompletter Satz mit Halterung  
und großen Polstern

Artikelnr.: 2910056

Satz mit großen Polstern

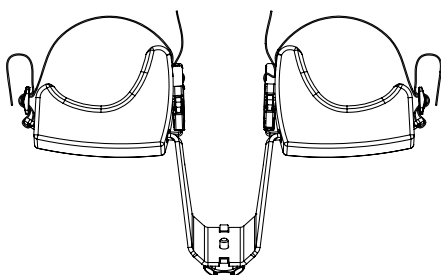
Artikelnr.: 2910077

Kompletter Satz mit Halterung  
und kleinen Polstern

Artikelnr.: 2910059

Satz mit kleinen Polstern

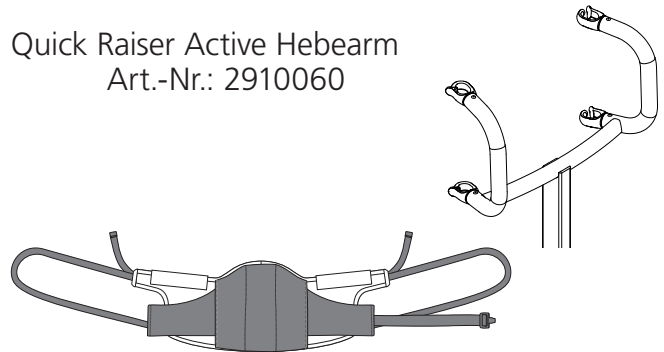
Artikelnr.: 2910076



Hebarm und Hebetücher

4-Punkt-Aufhängung:

Quick Raiser Active Hebarm  
Art.-Nr.: 2910060

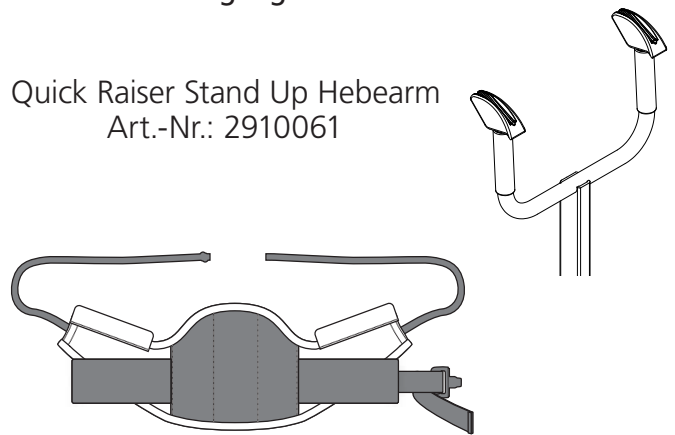


Rgosling Active

Art.-Nr.: 1720910	Größe XS
Art.-Nr.: 1720920	Größe S
Art.-Nr.: 1720930	Größe M
Art.-Nr.: 1720940	Größe L
Art.-Nr.: 1720950	Größe XL

2-Punkt-Aufhängung:

Quick Raiser Stand Up Hebarm  
Art.-Nr.: 2910061



Rgosling Stand Up

Art.-Nr.: 1720710	Größe XS
Art.-Nr.: 1720720	Größe S
Art.-Nr.: 1720730	Größe M
Art.-Nr.: 1720740	Größe L
Art.-Nr.: 1720750	Größe XL

Rgosling Stand Up Padded (gepolstert)

Art.-Nr.: 1720810	Größe XS
Art.-Nr.: 1720820	Größe S
Art.-Nr.: 1720830	Größe M
Art.-Nr.: 1720840	Größe L
Art.-Nr.: 1720850	Größe XL

## Wartung

DE

### Reinigung und Desinfizierung

Regelmäßig reinigen. Säubern Sie die Oberflächen mit einem feuchten Tuch und mithilfe eines geeigneten pH-neutralen Reinigers. Verzichten Sie auf den Einsatz von Lösungsmitteln und scharfen Reinigungsmitteln, da diese die Oberfläche des Lifters beschädigen können. Für die Desinfektion (sofern erforderlich): Benutzen Sie Isopropylalkohol oder reinigen Sie das Produkt mit einem lösungsmittelfreien Reinigungsmittel oder einer 70%igen Desinfektionslösung mit einem pH-Wert von 5-9. Verwenden Sie keine scheuernden Reinigungsmittel.

- Nehmen Sie die Abdeckung von Hebearm ab, um den Bereich darunter zu reinigen
- Bei Bedarf das Kniepolster abnehmen und unter fließendem Wasser reinigen
- Entfernen Sie Haare und Fusseln von den Laufrollen und überprüfen Sie die Rollen auf reibungslosen Lauf.

Reinigen Sie Kontaktflächen und Handsteuerung gegebenenfalls mit Isopropylalkohol, um Fett- und Schmutzrückstände zu entfernen. Nach der Reinigung den Not-Aus-Schalter prüfen. Der Lift sollte nie unter fließendes Wasser gehalten werden.

Der Quick Raiser 205 ist nur für den Gebrauch in Innenräumen vorgesehen und verfügt über eine Pulverbeschichtung auf den Stahl-oberflächen, um Materialkorrosion zu verhindern.



**Stellen Sie sicher, dass bei der Reinigung die Etiketten nicht beschädigt oder entfernt werden.**

### Instandsetzung

Befolgen Sie die Reinigungs- und Montageanweisungen, führen Sie regelmäßige Inspektionen durch und gehen Sie nach der Montage die Checkliste durch, um den Lifter wieder instand zu setzen.

### Recycling

In den „Recyclinganweisungen“ finden Sie Informationen zur ordnungsgemäßen Entsorgung des Produkts. Besuchen Sie [www.etac.com](http://www.etac.com).

### Ersatzteile

Eine Ersatzteilliste ist auf Anfrage verfügbar.

## Regelmäßige Inspektion

### Umfang der regelmäßigen Inspektion

Die regelmäßige Inspektion umfasst eine visuelle Untersuchung (insbesondere in Bezug auf das lasttragende Gestell des Lifters und den Hebemechanismus mit Befestigungsvorrichtungen, Bremsen, Steuerelementen, Sicherheitsvorrichtungen und Personenträgern) gemäß dem Regelmäßigen Inspektionsbericht von Molift Quick Raiser 205.

Besuchen Sie [www.etac.com](http://www.etac.com).

Die regelmäßige Inspektion muss mindestens einmal im Jahr durchgeführt werden, je nach den lokalen Anforderungen auch häufiger. Die Inspektionen dürfen nur von Wartungspersonal durchgeführt werden, das von Etac dazu autorisiert worden ist. Kontaktieren Sie Etac auf [molift@etac.com](mailto:molift@etac.com) wegen der erforderlichen Schulungen und Autorisierungen oder um einen autorisierten Service-Partner zu erfragen.

Der Inspektor muss bei der Durchführung einer periodischen Inspektion den Inspektionsbericht für Molift Quick Raiser 205 ausfüllen. Die Berichte sollten von der/den Person(en) verwahrt werden, die für die Wartung des Lifters verantwortlich ist/sind. Werden bei der Wartung Defekte und Schäden entdeckt, sollte der Lifter außer Betrieb genommen und bis zur vollständigen Reparatur als „außer Betrieb“ gekennzeichnet werden. Nach der Durchführung der regelmäßigen Wartung ist die Wartungsanzeige zurückzusetzen, siehe Seite 8



**Sollte mit dem Lifter ein Problem bestehen, das die Sicherheit von Menschen gefährden könnte, so muss dieser sofort außer Betrieb genommen und deutlich als „außer Betrieb“ gekennzeichnet werden. Eine Benutzung darf erst nach der Reparatur erfolgen.**

DE

## Fehlersuche und -behebung

Symptom	Mögliche Ursache/Maßnahme
Die Hebesäule ist wackelig	Die Arretierschrauben sind nicht ordnungsgemäß angezogen oder die Hebesäule wurde nicht ordnungsgemäß in das Fahrgestell eingesetzt/ Schrauben festziehen und/oder korrekten Sitz der Hebesäule im Fahrgestell prüfen
Lifter/Spreizmechanismus bewegt sich nur in eine Richtung (hoch oder runter/Öffnen oder Schließen)	Fehler an Handsteuerung/Ersatz mit Handsteuerung von einem anderen Lifter und/oder neue Handsteuerung
	Die Elektronik ist ausgefallen/Örtlichen Servicevertreter kontaktieren
Der Lifter fährt selbstständig hoch oder runter bzw. öffnet oder schließt die Beine selbstständig	Kurzschluss zwischen Handsteuerung und Lifter/Anschlüsse der Handsteuerungen und des Fahrgestells mit Alkohol/Spiritus reinigen, um Fett und Schmutz zu entfernen
	Die Handsteuerung ist ausgefallen/Handsteuerung austauschen bzw. örtlichen Servicevertreter kontaktieren
	Fehlfunktionen der Relais bzw. der Elektronik/Relais bzw. Elektronik austauschen bzw. örtlichen Servicevertreter kontaktieren
Der Hebearm bzw. die Beine bewegen sich nicht	Akku leer/Akku aufladen
	Not-Aus aktiviert/Zum Zurücksetzen im Uhrzeigersinn drehen
	Handsteuerung getrennt/Handsteuerung wieder anschließen
	Die Handsteuerung ist ausgefallen/Handsteuerung austauschen bzw. örtlichen Servicevertreter kontaktieren
	Fehlfunktionen der Elektronik/Örtlichen Servicevertreter kontaktieren
	Motor ausgefallen/Örtlichen Servicevertreter kontaktieren
	Kontakt zwischen Säule und Fahrgestell überprüfen

## Nederlandse handleiding

NL

## Inhoud

Molift Quick Raiser 205 .....	114
Onderdelen van de tillift.....	114
Meer informatie over Molift Quick Raiser 205 .....	114
Algemeen .....	115
Conformiteitsverklaring .....	115
Gebruiksvoorwaarden.....	115
Garantie .....	115
Productidentificatie .....	115
Technische gegevens .....	116
Montage.....	117
Accu.....	117
Beensteun .....	118
Tilkolom en onderstel.....	118
Tilarm.....	119
Netvoedingskabel.....	119
Handbediening .....	120
Controlelijst na installatie .....	120
Onderhoudslampje resetten.....	120
Hoe de Molift Quick Raiser 205 te gebruiken.....	121
Vóór gebruik/dagelijkse controle .....	121
Handbediening .....	121
Veiligheidsvoorzieningen .....	122
Stuurgrepen.....	122
Remmen.....	122
Noodstop / nooddaling .....	122
Elektronica .....	123
Omstandigheden bij transport en gebruik.....	123
Accu.....	123
Accu- en onderhoudslampje.....	123
Opladen .....	123
Transfer.....	125
Slings gebruiken .....	125
De beensteun aanpassen .....	125
Alternatieve beensteun met banden ...	125
Een 4-puntstilarm gebruiken .....	126
Een 2-puntstilarm gebruiken .....	126
Omhoog brengen .....	127
Transfer .....	127
Accessoires.....	128
Accessoires .....	128
Ophangingen en slings .....	128
Onderhoud .....	129
Reiniging en desinfectie .....	129
Revisie .....	129
Recycling .....	129
Reserveonderdelen .....	129
Periodieke inspectie.....	129
Omvang van de periodieke inspectie ...	129
Problemen oplossen .....	130

## Belangrijk

In deze handleiding staan belangrijke veiligheidsinstructies en informatie over het gebruik van de tillift en de accessoires.

In deze handleiding is de gebruiker de persoon die wordt getild.

De assistent is de persoon die de tillift bedient.

**Waarschuwing!**

Dit symbool geeft belangrijke informatie over de veiligheid aan. Volg deze instructies zorgvuldig.

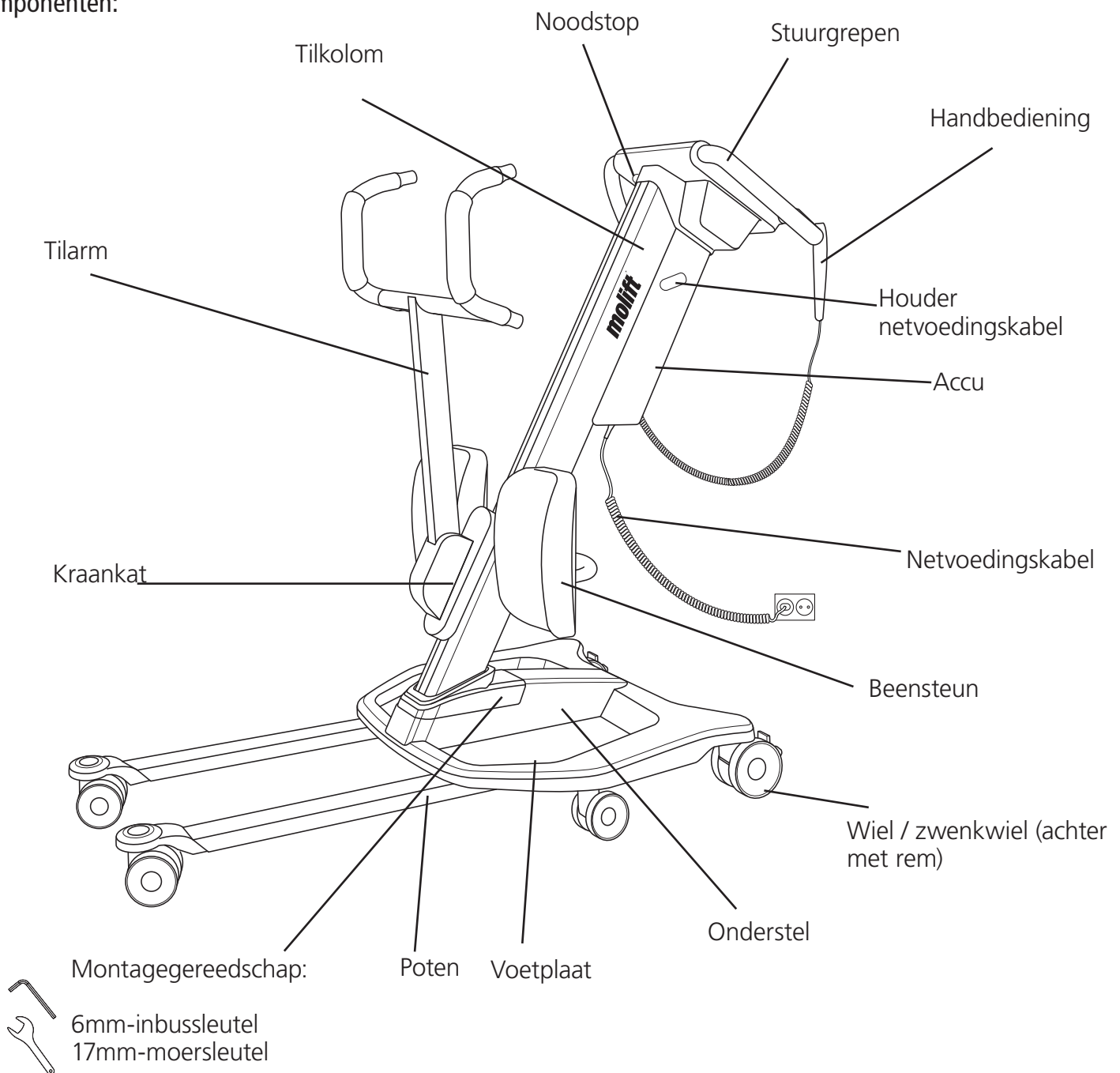


Lees de gebruikershandleiding vóór gebruik! Het is belangrijk dat u de inhoud van de gebruikershandleiding volledig hebt begrepen voordat u de apparatuur gebruikt.

Download documentatie op [www.etac.com](http://www.etac.com) om ervoor te zorgen dat u de laatste versie hebt.

*De verklaring van de fabrikant is opgenomen in de technische handleiding van de Molift Quick Raiser (TM13001)*

## Componenten:



## Meer informatie over de Molift Quick Raiser 205

De Molift Quick Raiser 205 is een verrijdbare actieve tillift voor het tillen en verplaatsen van een persoon van/naar een stoel, rolstoel of toilet, met behulp van een sling. De Molift Quick Raiser 205 is bedoeld voor gebruikers die instructies kunnen volgen, een stabiel bovenlichaam hebben en het eigen gewicht op ten minste één been kunnen dragen, maar bij het staan hulp nodig hebben. De vorm van de tillift en de geometrie van de tilbeweging imiteert het natuurlijke bewegingspatroon van een persoon. De tillift is gemaakt van lichte materialen, is uitgerust met zwenkwieken en een

elektromotor die wordt gevoed door een accu. De lift wordt bediend met de handbediening of het bedieningspaneel op de lift. De lift heeft elektrisch verstelbare poten en een draagvermogen van 205 kg (451 lbs).

De lift is ideaal voor gebruik in zorginstellingen, maar is ook bijzonder geschikt voor gebruik in woningen en verpleeghuizen. De tillift is uitsluitend bedoeld voor verplaatsingen over korte afstand, zoals tussen stoel en bed of naar een badkamer/toilet en dient niet als vervanging van een rolstoel of vergelijkbaar.

# Algemeen

NL

## Conformiteitsverklaring



De Molift Quick Raiser 205 met toebehoren zoals beschreven in deze handleiding is voorzien van een CE-markering overeenkomstig EU-richtlijn 93/42/EEG betreffende medische hulpmiddelen, klasse 1, en is getest en goedgekeurd door een externe instantie conform de normen IEC 60601-1, IEC 60601-1-2 en NS-EN ISO 10535:2021.

## Gebruiksvoorwaarden

Het tillen en verplaatsen van personen houdt altijd een bepaald risico in. Daarom mogen de in deze gebruikershandleiding vermelde apparatuur en accessoires uitsluitend worden gebruikt door goed opgeleid personeel.

### Aanpassingen en gebruik van onderdelen van andere fabrikanten.

We raden u aan om uitsluitend Etac Molift-onderdelen en -reserveonderdelen te gebruiken. Als er aanpassingen aan het product worden uitgevoerd, vervalt de conformiteitsverklaring en kunnen er geen garantieclaims bij Etac worden ingediend. Etac is niet aansprakelijk voor fouten of ongevallen door het gebruik van onderdelen van andere fabrikanten.



Alleen gecertificeerd personeel mag de tillift of de accessoires openen om onderhoud of reparaties uit te voeren. Er is kans op letsel door draaiende onderdelen en elektrische schokken.



De tillift mag niet worden bediend door de persoon die wordt getild.

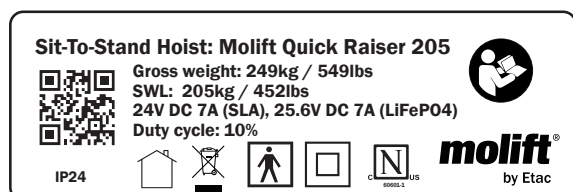
## Garantie

Wij bieden op onze producten een garantie van 2 jaar tegen materiaal- en fabricagefouten. Raadpleeg voor de voorwaarden [www.etac.com](http://www.etac.com)

## Productidentificatie

### Productlabel / GS1-128

Het barcodelabel bevat een EAN-nummer, serienummer en productiedatum.



Onderdeel van type BF



Laadindicator



CE-markering



Dubbele isolatie



Zie de gebruikershandleiding



Fabrikant



Alleen voor gebruik binnenshuis



Productie-datum



Niet weggooien bij huishoudelijk afval



Catalogusnummer



Nooddaling



Serienummer



Onderhoudslampje



Medisch hulpmiddel



Acculampje

## Waarschuingslabels en symbolen

Toelichting op de symbolen die op het product worden gebruikt:

**Veilige werkbelasting (VWB):**

205 kg (451 lbs)

**Gewicht van eenheid:**

Totaalgewicht van eenheid: 44,5 kg/98 lbs

Onderstel: 17 kg/37,5 lbs

Tilkolom: 19 kg/41,9 lbs

Beensteun: 3,5 kg/7,7 lbs

4-puntstilarms: 5 kg/11 lbs

**Accu:**

SLA 24 V 2,9 Ah

LiFePO4 25,6 V 2,4 Ah

**Acculader:**

Input: 100-240 V AC, 50-60 Hz,

max. 0,35 A

Output: 29,4 V DC, 0,5 A

**Acculaadtijd:**

5 uur

**Nominale prestatie:**

100 tilbewegingen bij: 75 kg en 500 mm

**Tilsnelheid:**

35 mm/seconde (1,4 inch/seconde)

met een belasting van 75 kg (165 lbs)

**Beschermingsklasse:**

IP24 (complete tillift).

Een object ter grootte van 12,5 mm Ø dringt niet volledig door. Water dat vanuit elke richting tegen het omhulsel spat heeft geen schadelijk effect.

**Kracht op knop:**

Knoppen op bedieningspaneel: < 5 N

Knoppen op handbediening: < 5 N

**Materiaal:**

Aluminium, kunststof, staal

**Motor:**

Tilmotor: 24 V DC

Motor spreidmechanisme: 24 V DC

**Draaicirkel:**

1144 mm (57 inch)

**Verwachte levensduur:**

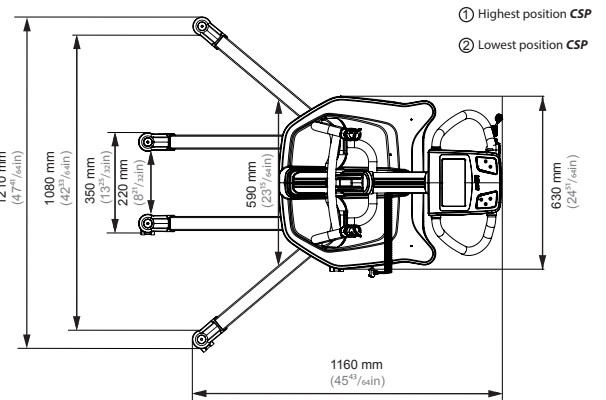
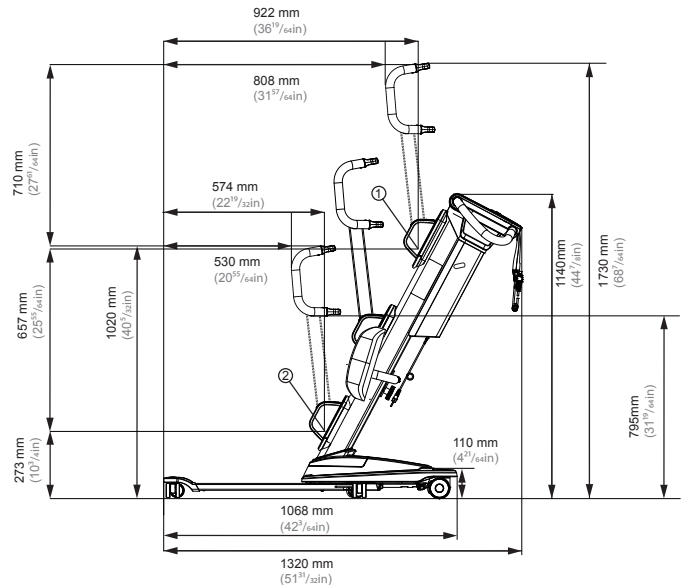
De tillift en de accessoires hebben een verwachte levensduur van 30.000 cycli of 10 jaar.

**Toegepaste delen:**

Sling

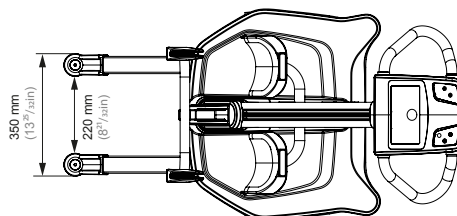
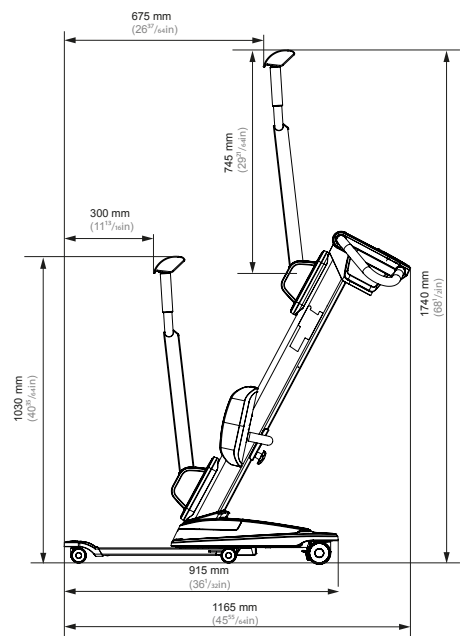
Beensteun

Tuimelaarhendel



① Highest position CSP  
② Lowest position CSP

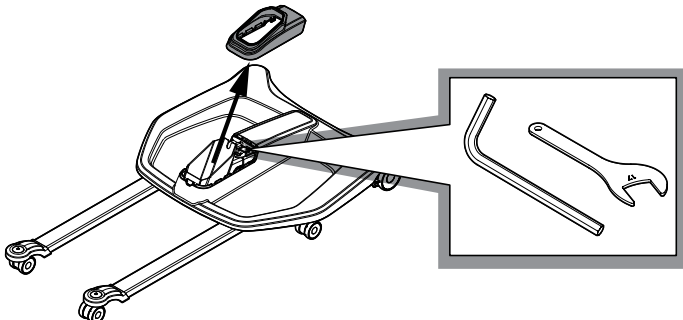
QuickRaiser 205 FL (Fixed Legs):



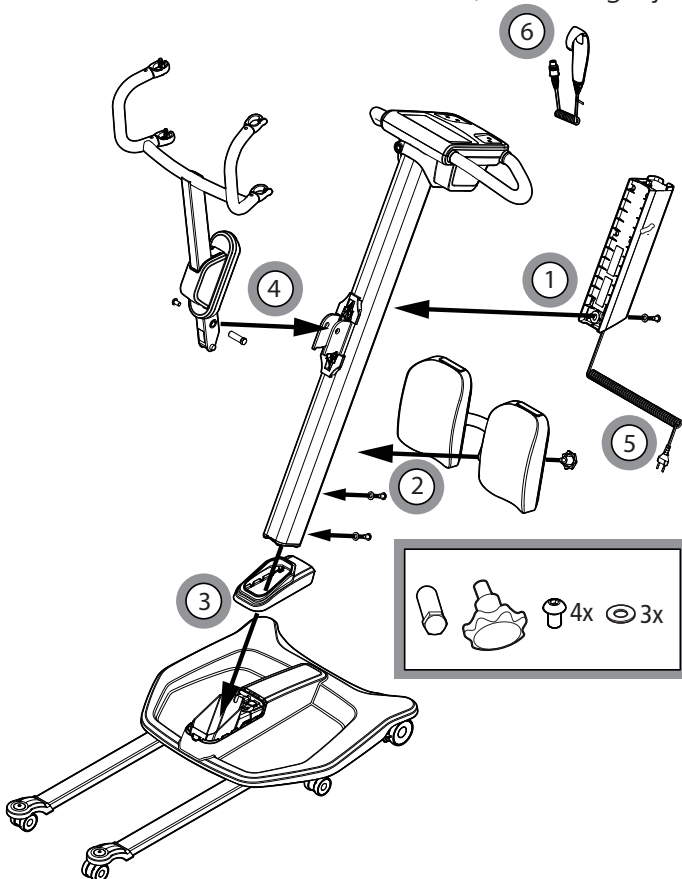
## Montage-instructies

NL

## Vóór montage



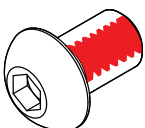
Kijk of de montagegereedschappen (5mm-inbussleutel en 17mm-moersleutel) aanwezig zijn



1. Accu
2. Beensteun
3. Kolom in onderstel
4. Tilarm
5. Netvoedingskabel
6. Handbediening

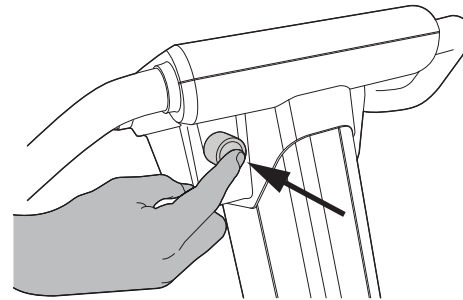


Alleen opgeleid personeel mag de tillift monteren

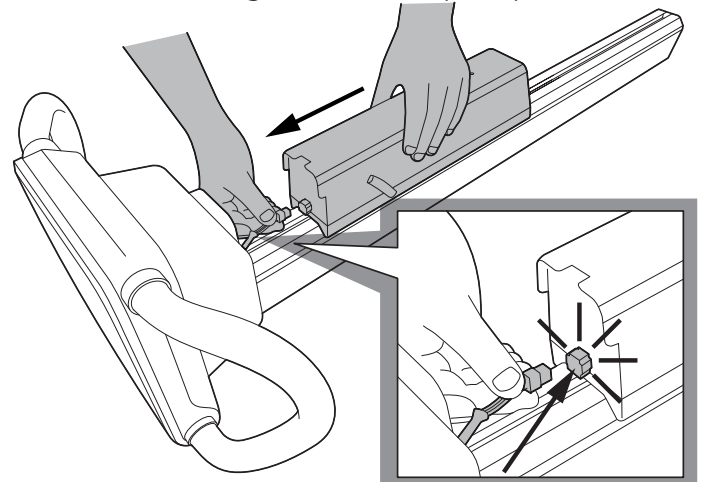


Schroeven met vooraf aangebrachte schroefdraadborging mogen slechts eenmaal worden gebruikt. Reserveonderdeel art. nr. 2920075

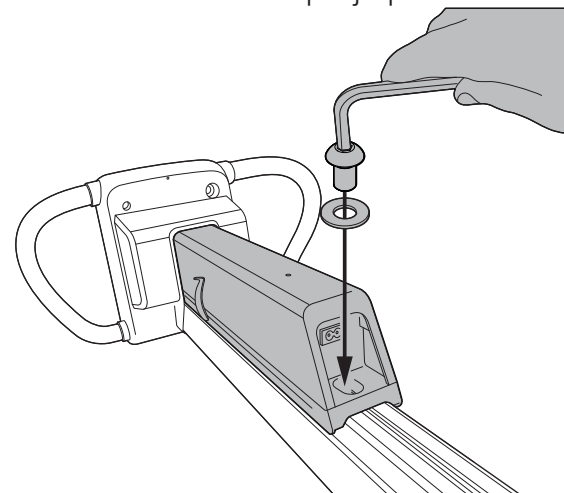
## 1 - Accu



Druk vóór montage de noodstopknop in.



Plaats de kolom op een horizontale ondergrond. Controleer of de noodstopknop is ingedrukt. Sluit de bedrading van het bedieningspaneel aan op het accublok. Schuif het accublok op zijn plaats.

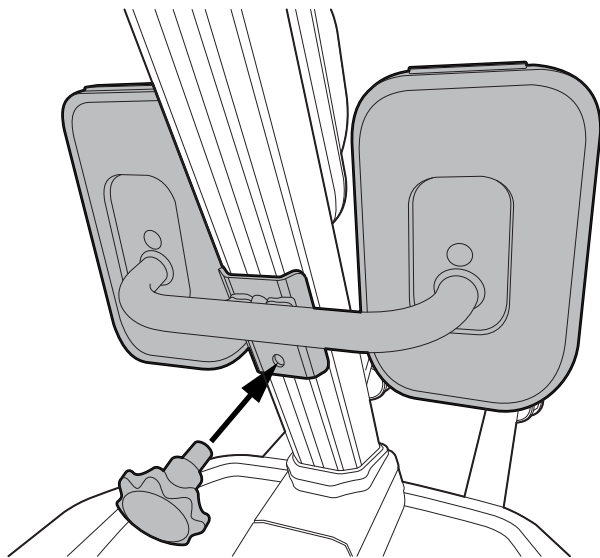


Gebruik de inbussleutel om de schroef rechtsonder vast te draaien. NB! De sluitring moet worden gebruikt.

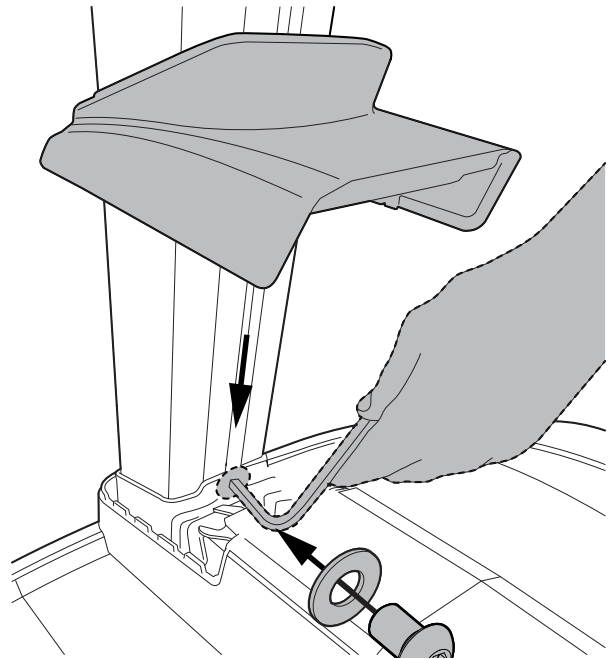


Zorg dat de accu goed vastzit voordat u de kolom in het onderstel monteert.

## 2 - Beensteun

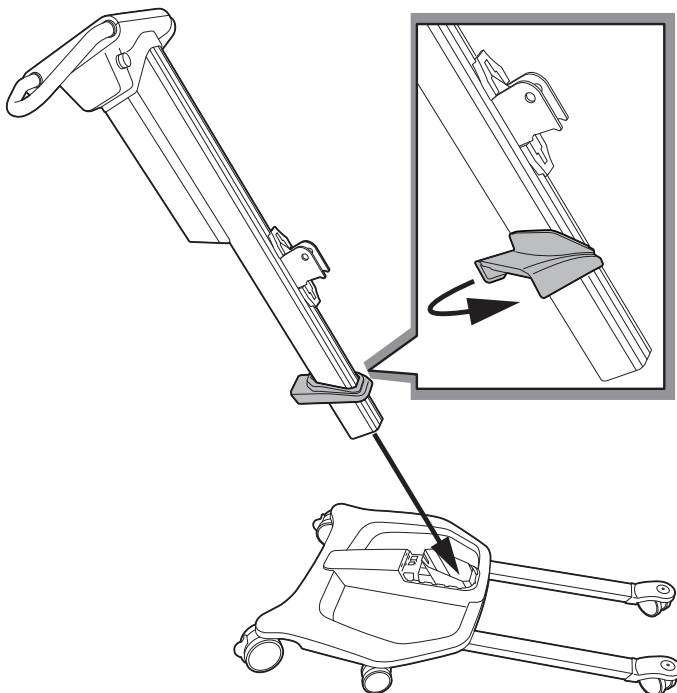


Monteer de beensteunbeugel.

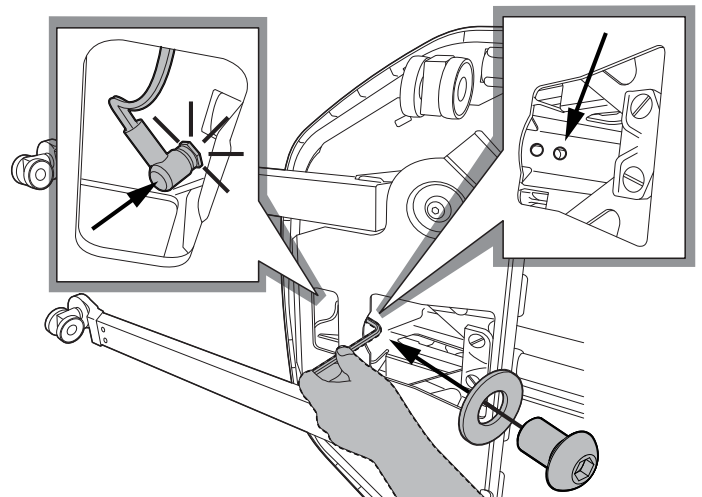


Plaats de schroef met sluitring op de kolom. Schuif de schroef omlaag op het onderstel en draai de schroef vast.

## 3 - Tilkolom en onderstel



Plaats de kap op de tilkolom. Draai de kap zijwaarts, zodat hij op de kolom blijft zitten. Plaats de tilkolom in het onderstel.

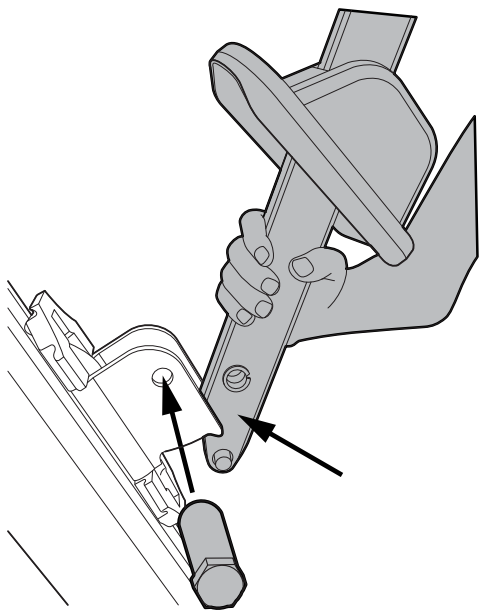


Draai de tillift op zijn zij. Plaats de schroef en sluitring in het bovenste gat en draai de schroef vast. Sluit de kabel tussen kolom en onderstel aan. (NB! De kabel is NIET van toepassing bij de Molift Quick Raiser versie 205 FL)

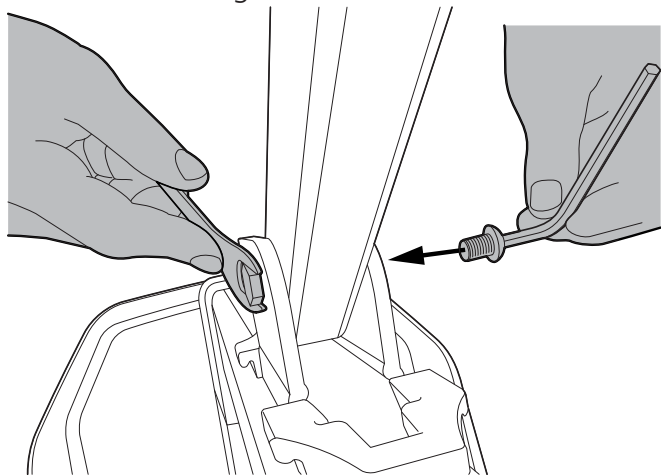


De schroeven zorgen ervoor dat de kolom niet omhoog kan worden getrokken. Gebruik de tillift uitsluitend als beide schroeven zijn vastgedraaid.

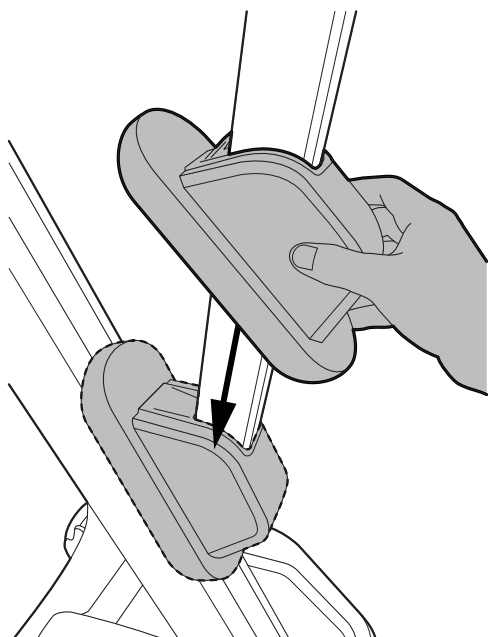
#### 4 - Tilarm



Plaats de kap op de tilarm. Plaats de tilarm in de kraankat en breng de bout aan.

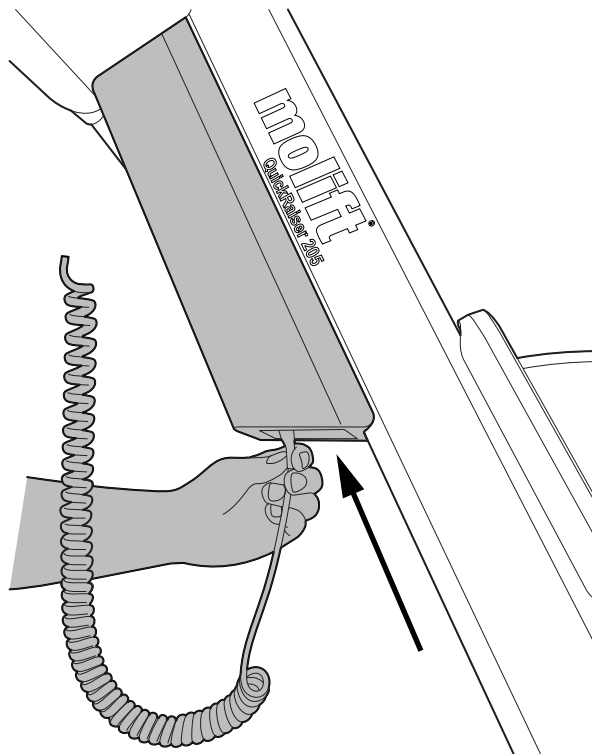


Plaats de bout en draai de schroef vast met een 17mm-moersleutel en een 6mm-inbussleutel. Zorg dat de tilarm goed vastzit aan de kraankat op de kolom.

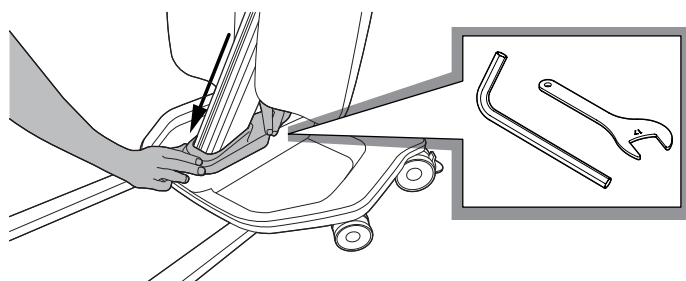


Plaats de kap op de kraankat

#### 5 - Netvoedingskabel

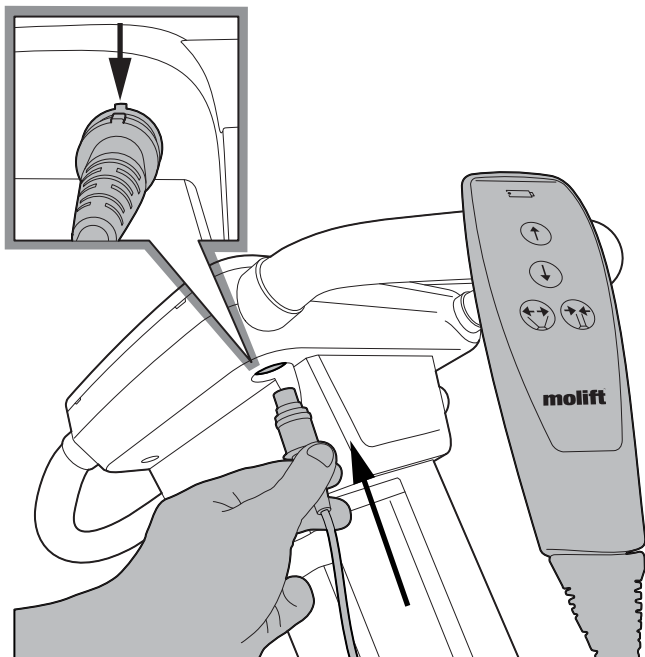


Sluit de netvoedingskabel aan op de onderkant van het accublok.



Plaats de kap op het onderstel. Zorg ervoor het gereedschap weer terug te plaatsen.

## 6 - Handbediening



Sluit de handbediening aan op het bedieningspaneel.



Voer na de montage altijd eerst een volledige controle uit aan de hand van de controlelijst alvorens de tillift te gebruiken.

## Controlelijst na montage

Gebruik deze controlelijst om vóór gebruik te controleren of de tillift goed is geïnstalleerd en veilig werkt.



Reset na installatie de noodstopknop door hem rechtsom te draaien. Het servicelampje zou nu geel moeten branden. Reset na het voltooien van deze controlelijst het onderhoudslampje zoals beschreven in de montage-instructies.

- Zorg ervoor dat de beensteun en tilarm goed zijn bevestigd en dat er geen enkel onderdeel van de tillift loszit.
- Zorg ervoor dat de tilkolom correct aan het onderstel is vastgemaakt - met beide schroeven vastgedraaid.
- Sluit de tillift aan op het stopcontact om ervoor te zorgen dat de ingebouwde acculader werkt. Laad de accu zo nodig op.
- Controleer de tillift op zichtbare schade of andere defecten.
- Voer een tilbeweging uit met een last van 50-100 kg.  
NB! De tillift werkt niet tijdens opladen.

## Onderhoudslampje resetten

Als het gele onderhoudslampje brandt, neem dan contact op met uw Molift servicepartner over de noodzakelijke maatregelen.

Het onderhoudslampje gaat opnieuw geel branden als er 12 maanden om zijn en het tijd is voor periodieke inspectie.

# Hoe de Molift Quick Raiser 205 te gebruiken

NL

## Algemene veiligheidsmaatregelen

Gebruik alleen accessoires en slings die aan de gebruiker, diens handicap, lengte en gewicht, en het type transfer zijn aangepast.

## Verhouding werking/onderbreking - werkcyclus.

De Molift Quick Raiser 205 mag niet langer dan 2 minuten achter elkaar worden gebruikt (met een maximale belasting) en mag daarna minimaal 18 minuten niet worden gebruikt. Werkcyclus 10%. (Onderbreking volgens de norm ISO-EN 10535)

## Veilige werkbelasting

Op de tillift is de veilige werkbelasting (VWB) aangegeven



Als de maximale belasting (VWB) van de ophanging van de tillift niet overeenkomt met die van de ondersteuningseenheid voor het lichaam, dan moet altijd de laagste maximale belasting worden aangehouden



Tilliften van Molift mogen uitsluitend worden gebruikt voor het optillen van personen. Gebruik de tillift nooit om voorwerpen op te tillen of te verplaatsen.

## Vóór gebruik / dagelijkse controle

Controles die dagelijks of vóór elk gebruik moeten worden uitgevoerd:

- Controleer of de tillift geen zichtbare schade, defecten of vervormingen vertoont.
- Zorg dat de aansluiting van de tilarm, beensteun, het accublok en alle afneembare onderdelen goed zijn aangesloten en bevestigd
- Test de noodstopknop
- Controleer het accuniveau en het servicelampje
- Controleer of de band van de sling geen duidelijk zichtbare schade of rafels vertoont.
- Controleer of de wielen vrij rollen en of de tillift gemakkelijk te manoeuvreren is
- Test de functies van de tillift en controleer of de tillift geen abnormale geluiden maakt.



Als er sprake is van fouten of gebreken, moet de tillift buiten bedrijf gesteld worden en worden voorzien van een label "buiten werking".

## Handbediening

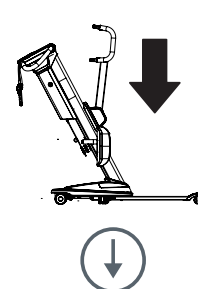
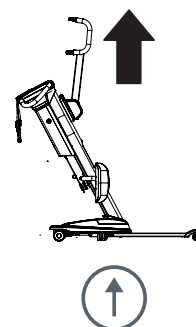
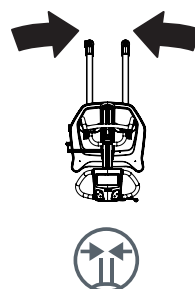
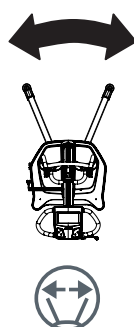
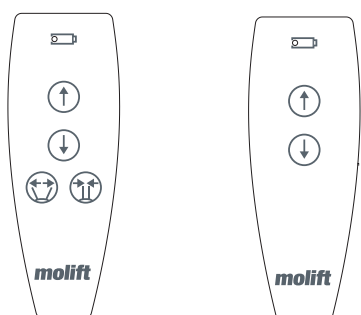
De handbediening heeft vier knoppen om de tilarm omhoog en omlaag te zetten en het spreidmechanisme naar binnen en naar buiten te bewegen. De handbediening heeft een controlelampje dat gaat branden als de accu bijna leeg is en de tillift moet worden opgeladen.

Handbediening met vier knoppen:

Art.nr. 2910010

Handbediening met twee knoppen:

Art.nr. 2910011



## Tilarm - omhoog / omlaag

NB! De tillift is in de hoogste stand het meest instabiel.

## Poten - naar binnen / naar buiten

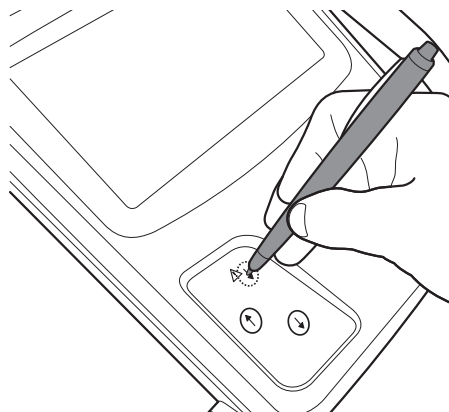
NB! Gespreide poten geven meer stabiliteit en bieden een betere toegang tot stoel of toilet.

## Veiligheidsvoorzieningen

De Molift Quick Raiser 205 is voorzien van diverse veiligheidsvoorzieningen, die zijn bedoeld om letsel bij personeel of schade aan de uitrusting bij onjuist gebruik of bij defecten te voorkomen.

De tillift heeft een overbelastingssensor die voorkomt dat de tillift wordt bediend als de belasting de VWB overschrijdt.

De ophanging is gescharnierd om te voorkomen dat de gebruiker klem komt te zitten tussen de arm en de ophanging.



## Stuurgrepen

Gebruik de stuurhandvatten om de tillift te verplaatsen.

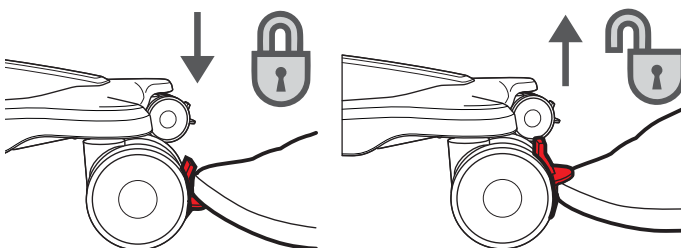


**Duw of trek niet aan de gebruiker, tilkolom of tilarm. Dit kan problemen met de stabiliteit veroorzaken, waardoor de tillift kan omvallen.**

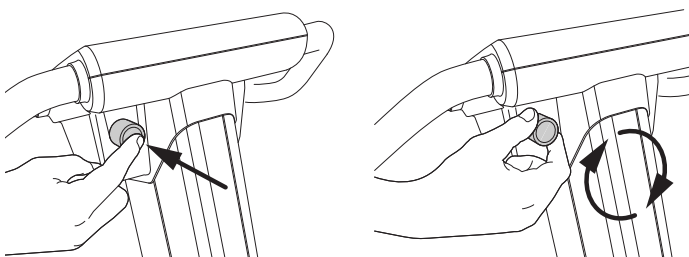
De tillift mag alleen worden gebruikt voor verplaatsingen over korte afstanden. Hij dient niet ter vervanging van een rolstoel of iets dergelijks.

## Remmen

De achterwielen/zwenkwielen zijn voorzien van voetremmen. Trap met uw voet op de rem om de remmen te vergrendelen. Duw of trap het bovenste deel van de rem omhoog om de remmen te ontgrendelen.



## Noodstop / Nooddaling



### Noodstopknop

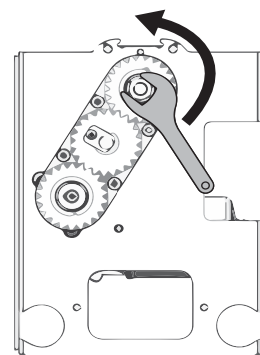
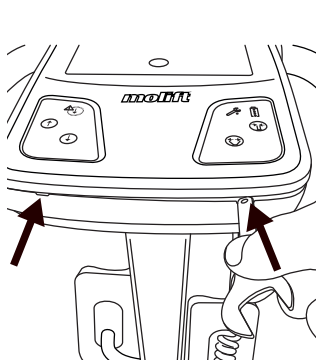
Wanneer u de noodstopknop indrukt, wordt de stroomtoevoer uitgeschakeld. Draai de noodstopknop rechtsom om hem opnieuw in te stellen.

## Elektrische nooddaling

Gebruik een pen of een scherp voorwerp om de knop voor elektrische nooddaling ingedrukt te houden om de ophanging te laten zakken. De elektrische nooddaling werkt niet wanneer de noodstop geactiveerd is.



**Gebruik de elektrische nooddaling alleen als geen enkele andere knop werkt.**



## Handbediende nooddaling

Gebruik de sleutel die in de onderste kap zit om de kap op de twee punten van het bedieningspaneel te halen.



**Duw op de noodstopknop voordat u de kap verwijdert. Bij draaiende onderdelen bestaat er een gevaar op klemming!**

Draai de kogelschroef met de 17mm-moersleutel linksom terwijl de gebruiker veilig omlaag wordt gebracht. De handmatige nooddalingsfunctie mag uitsluitend worden gebruikt wanneer de elektrische nooddaling niet werkt.



**Als de nooddaling is gebruikt, de tillift voorzien van een label "buiten werking" en onderhoud aanvragen!**

# Elektronica

NL

## Omstandigheden tijdens transport en gebruik

### Transport en opslag

Bij langdurige opslag adviseren wij om de noodstopknop te activeren (indrukken). De tillift kan worden opgeslagen en vervoerd bij temperaturen tussen -25 en 70 °C.

### Gebruik

De tillift is bedoeld voor gebruik bij normale kamertemperatuur (+5 tot +40 °C).

Luchtdruk: 70 - 106 kPa

Relatieve vochtigheid: 15 - 93%

Bij opslag of transport bij andere temperaturen moet de tillift in een ruimte met een geschikte temperatuur worden geplaatst, totdat de tillift een veilige werktemperatuur bereikt.



Bij elektrische medische apparatuur moeten speciale maatregelen met betrekking tot de elektromagnetische compatibiliteit (EMC) worden genomen. Draagbare of mobiele radiocommunicatieapparatuur kan elektrische medische apparatuur storen en moet op minimaal 25 cm (10 inch) van de elektronica van de tillift worden gehouden.

## Accu

De Molift Quick Raiser 205 is verkrijgbaar met een accu van 24 V SLA of een 25,6 V LiFePO<sub>4</sub>, beide met ingebouwde lader.



De SLA-accu heeft een verwachte levensduur van ongeveer 500 laadcycli.

De LiFePO<sub>4</sub>-accu heeft een verwachte levensduur van ongeveer 2.000 laadcycli.



Accu's moeten als speciaal afval en volgens de plaatselijke regels en voorschriften worden weggegooid. Niet weggooien bij huishoudelijk afval






## Accu- en onderhoudslampje

	Symbool sleutel / servicelampje
	Symbool accu / acculampje

Het elektrische systeem heeft een energiebesparende functie die ervoor zorgt dat het elektrische systeem vijf minuten na het laatste gebruik wordt uitgeschakeld. Alle lampjes gaan uit. Het systeem wordt geactiveerd door een van de bedieningsknoppen in te drukken.

### Acculampje op bedieningspaneel

Als het acculampje geel is, heeft de tillift nog voldoende vermogen om één volledige tilcyclus met maximale belasting uit te voeren. Wanneer het acculampje geel knippert, kan de tilarm alleen nog omlaag worden gebracht.

Acculampje	Accuniveau
	Groen 80% of meer
	Groen 80 - 60%
	Groen 60 - 40%
	Groen 40 - 20%
	Geel of geel knipperend 20% of minder (tillift opladen)

## Onderhoudslampje

De elektronica van de tillift registreert het gewicht en hoe vaak de lift is gebruikt. Na een bepaalde periode wordt met een signaal aangegeven dat de tillift een onderhoudsbeurt nodig heeft.

### Onderhoudslampje (vanaf 01.01.2018)

<i>Servicelampje</i>	<i>Indicatie</i>
Brandt niet	Geen onderhoud nodig
Groen knipperend	Onderhoud regelen
Geel	Periodieke inspectie vereist
Rood	Onderhoud uitvoeren



Plaats de tillift niet zodanig dat de netvoedingskabel moeilijk los te koppelen is.



Laad de tillift niet op in een badkamer of andere ruimte met natte oppervlakken!

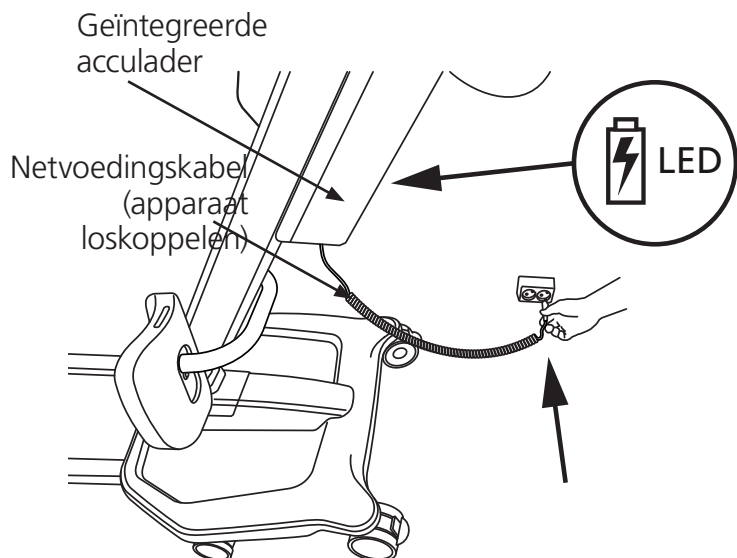


Haal de netvoedingskabel uit het stopcontact voordat u de tillift verplaatst.

### Onderhoudslampje (t/m 31.12.2017)

<i>Servicelampje</i>	<i>Indicatie</i>
Brandt niet	Geen onderhoud nodig
Geel	Onderhoud regelen
Geel knipperend	Periodieke inspectie vereist
Rood	Onderhoud uitvoeren

## Opladen



De tillift is voorzien van een geïntegreerde lader. Positioneer de tillift en sluit deze aan op een stopcontact om de accu op te laden. Een ledlampje aan de achterkant van de accu brandt in rood tijdens het opladen. Als de tillift volledig is opgeladen, blijft het ledlampje op de accu groen branden. Tijdens het laden flitsen de ledlampjes op het bedieningspaneel om de 10 seconden.

# Transfer

NL

Plan de tilhandeling tijdig zodat die zo veilig en gemakkelijk mogelijk verloopt. Vergeet niet om ergonomisch te werken. Beoordeel de risico's en maak aantekeningen. De assistent is verantwoordelijk voor de veiligheid van de gebruiker.

## Slings gebruiken

Het is belangrijk dat de sling eerst met de individuele gebruiker en voor de bedoelde tilsituatie wordt getest.



Lees de gebruikershandleiding voor de sling voordat u deze gebruikt.

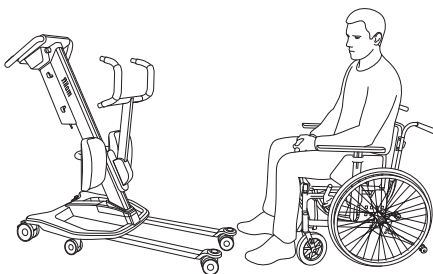


Gebruik geen beschadigde of zeer versleten slings.

## Slings van een andere fabrikant

Gebruik uitsluitend slings van Molift. Etac is niet aansprakelijk voor fouten of ongevallen door het gebruik van slings van andere fabrikanten.

## De beensteun aanpassen

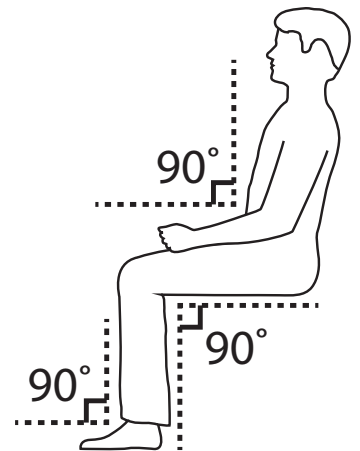
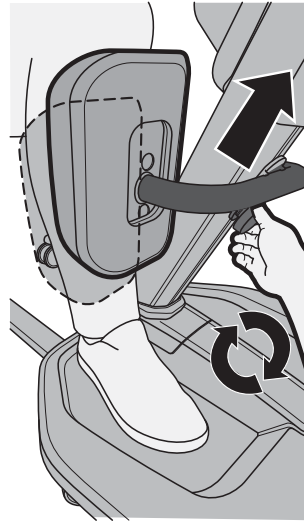


Plaats de Quick Raiser 205 vóór de gebruiker. Zet de voeten op de voetplaat. Help de gebruiker zo nodig om de voeten correct te plaatsen. Vergrendel de wielen van de tillift voordat u de gebruiker eruit tilt. De optimale hoek van de gewrichten van de gebruiker vóór het tillen is 90 graden.

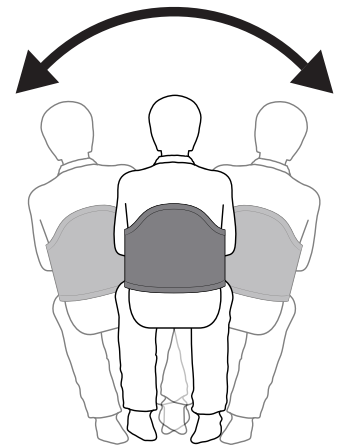


Stel de hoogte van de beensteun zo in dat deze is afgestemd op de anatomie van de individuele gebruiker. De bovenkant van de kussens moet zich 2 cm onder de knie van de gebruiker bevinden

Gebruik de draaiknop om de beensteun zo nodig hoger of lager te zetten.

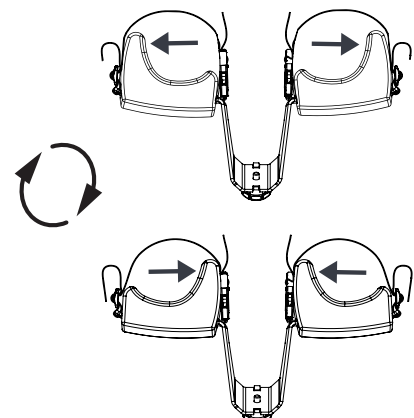


Zorg dat de gebruiker niet naar voren hangt of heen en weer slingert voordat u hem of haar optilt of laat zakken.

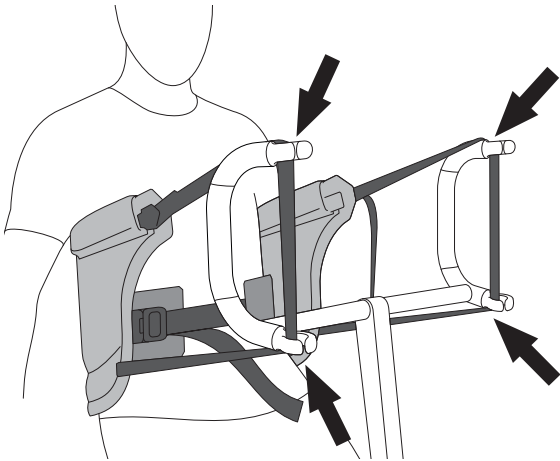


## Alternatieve beensteun met banden

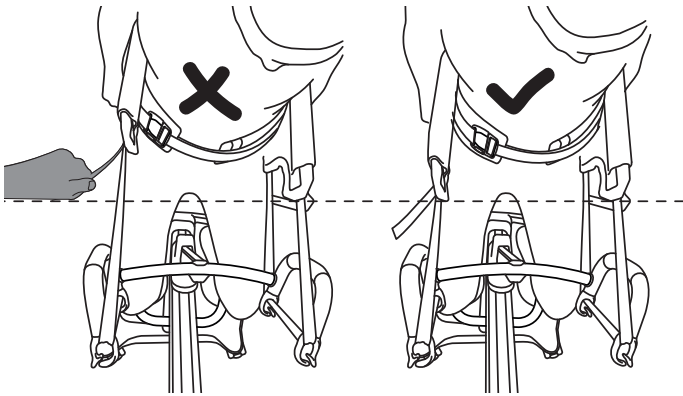
De alternatieve beensteun met banden kan worden verwijderd en 180 graden worden gedraaid om zowel aan de binnen- als buitenkant van de benen van de gebruiker meer steun te bieden.



## Een 4-puntsophanging gebruiken



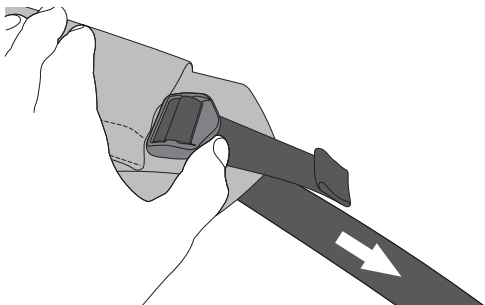
Bevestig de sling aan de tilarm door de band door alle vier de hoeken te trekken.



Trek aan de losse band om de lengte van de banden af te stellen. Zorg er voor dat beide zijden even lang zijn.

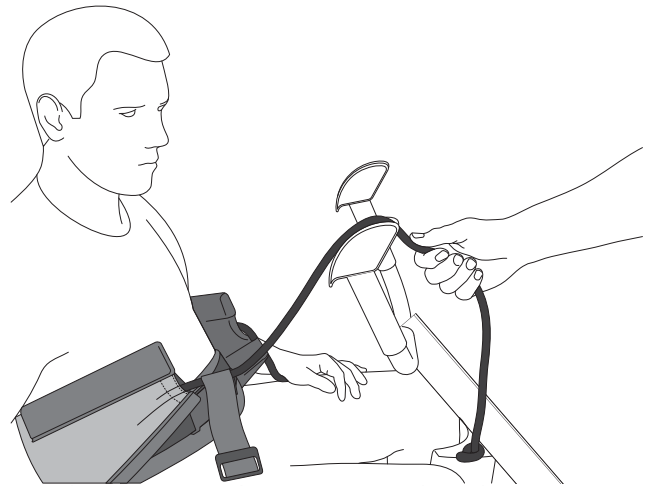
De band wordt door het gewicht van de cliënt in de tilarm vergrendeld. De gebruiker moet bij het tillen licht naar achteren leunen en zo mogelijk de handgrepen vasthouden.

## De sling verwijderen



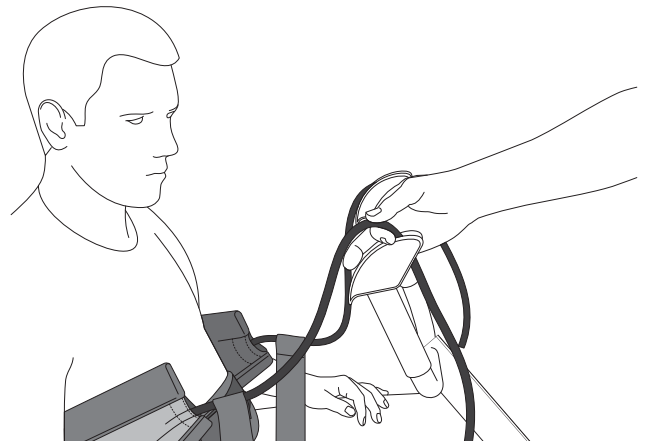
Maak de banden weer los door de gesp te openen en de band eruit te trekken.

## Een 2-puntsophanging gebruiken



Op de 2-puntsophanging worden de touwen aan de tilarm bevestigd door ze van bovenaf stevig in de touwvergrendelingen te trekken.

## De sling verwijderen



Maak de band los door hem tussen uw vingers door van de cliënt af te laten glijden.

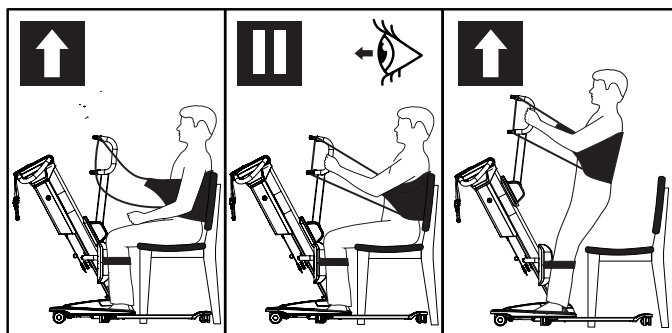


RgoSling Active kan alleen met een 4-puntsophanging worden gebruikt. RgoSling Stand up kan alleen met een 2-puntsophanging worden gebruikt.

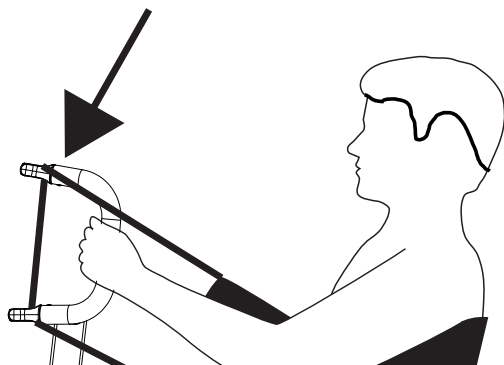
## Omhoog/omlaag brengen

Als de gebruiker in de sling wordt verplaatst, moet u naast de persoon staan die u gaat optillen. Zorg ervoor dat armen en benen de stoel, het bed enz. niet kunnen belemmeren. Houd oogcontact met de gebruiker zodat hij of zij zich veilig voelt.

Indien mogelijk: Gebruik de knop voor basisbreedteaanpassing op de handbediening om de breedte van de wielbasis te vergroten voordat u gaat tillen.



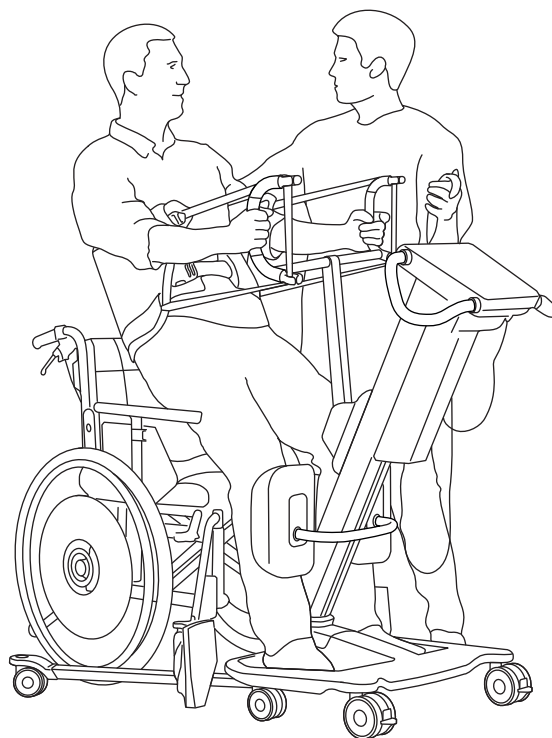
1. Controleer of de sling correct rond de gebruiker is aangebracht en of de bandlussen op de juiste wijze aan de ophanghaken zijn bevestigd.
2. Controleer of de gebruiker beide voeten stevig op de voetplaat van de tillift heeft geplaatst.
3. Haal de lussen omhoog tot ze strak staan, maar til de gebruiker nog niet op. Zorg dat beide lussen van de sling stevig zijn bevestigd zodat de gebruiker niet wegglijdt of valt.
4. Verzeker u ervan dat de gesp correct is gesloten.
5. Til de gebruiker naar een staande positie en stel de sling af of zet hem strakker, indien nodig.



Zorg dat de handen van de gebruiker juist geplaatst zijn zodat zijn of haar handen en vingers niet tussen de tilbanden klem komen te zitten.

## Transfer

Breng de cliënt voorzichtig omhoog totdat de billen vrij zijn van de zitting en de band aangespannen is. Ontgrendel de wielen van de tillift en verplaats de cliënt naar de volgende locatie.



Let op dat u tijdens een verplaatsing niet tegen meubelen, wanden, deuren en dergelijke botst.



De tillift mag niet worden gebruikt om gebruikers over hellende vlakken op te tillen of te verplaatsen.

Vermijd hoogpolig tapijt, hoge drempels, ongelijkmatige oppervlakken of andere obstakels die de zwenkwielen kunnen blokkeren. De lift kan onstabiel worden als hij over dergelijke obstakels beweegt, waarbij het risico van omslaan toeneemt.

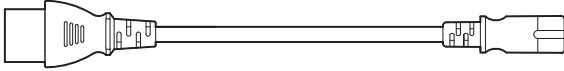
De tillift mag uitsluitend worden gebruikt voor verplaatsingen over korte afstanden. De tillift is niet bedoeld ter vervanging van een rolstoel en dergelijke.

NB! De wielen van het object van waaruit de gebruiker wordt getild, moeten in de vergrendelde stand staan.

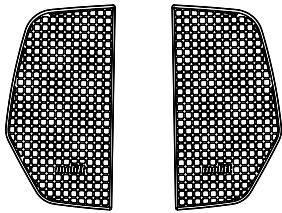
(Aanbevolen) optionele uitrusting en accessoires voor de Molift Quick Raiser 205.

Accessoires

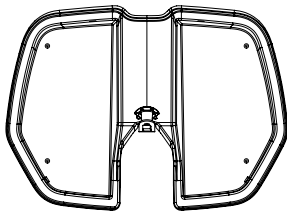
Verlenging voor voedingskabel  
Art.nr.: 2920117



Set inlegmatten voor voetplaat  
Art.nr.: 2920151



Voetplaat  
Art.nr.: 2910065



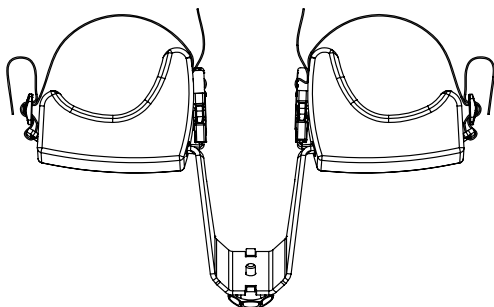
Alternatieve beensteun met banden:

Complete set met beugel en grote kussens  
Art.nr.: 2910056

Set grote kussens  
Art.nr.: 2910077

Complete set met beugel en kleine kussens  
Art.nr.: 2910059

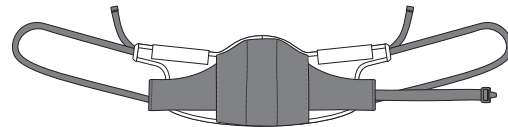
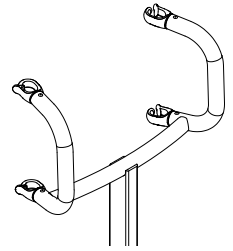
Set kleine kussens  
Art.nr.: 2910076



Tilarmen en slings

4-puntsophanging:

Quick Raiser Active tilarm  
Art.nr.: 2910060



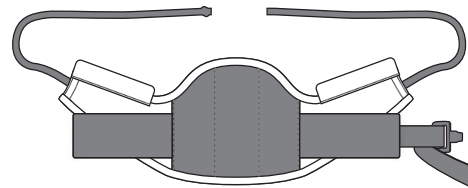
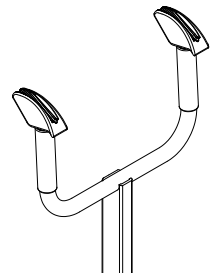
RgoSling Active

Art.nr.: 1720910  
Art.nr.: 1720920  
Art.nr.: 1720930  
Art.nr.: 1720940  
Art.nr.: 1720950

Maat XS  
Maat S  
Maat M  
Maat L  
Maat XL

2-puntsophanging:

Quick Raiser Stand Up tilarm  
Art.nr.: 2910061



Rgosling Stand Up

Art.nr.: 1720710  
Art.nr.: 1720720  
Art.nr.: 1720730  
Art.nr.: 1720740  
Art.nr.: 1720750

Maat XS  
Maat S  
Maat M  
Maat L  
Maat XL

Rgosling Stand Up Opgevuld

Art.nr.: 1720810  
Art.nr.: 1720820  
Art.nr.: 1720830  
Art.nr.: 1720840  
Art.nr.: 1720850

Maat XS  
Maat S  
Maat M  
Maat L  
Maat XL

## Onderhoud

NL

### Reiniging en desinfectie

Reinig het product regelmatig. Reinig oppervlakken met een vochtige doek en een geschikt pH-neutraal reinigingsmiddel. Gebruik geen oplosmiddelen of agressieve middelen omdat de oppervlakken van de tillift hierdoor beschadigd kunnen raken. Voor desinfectie wanneer nodig: gebruik hiervoor isopropylalcohol. Gebruik geen agressieve reinigingsmiddelen.

- Verwijder de kap van de tilarm om daaronder te reinigen
- Verwijder zo nodig het kniekussen en reinig dit met stromend water
- Verwijder haren en pluus uit de zwenkwielen en controleer of ze vrij kunnen draaien.

Maak het contact en de handbediening indien nodig schoon en vetvrij met isopropylalcohol. Controleer de noodstopknop na het reinigen. De tillift mag niet worden gereinigd met stromend water.



**Zorg ervoor dat u tijdens het reinigen geen labels beschadigt of verwijdert.**

### Revisie

Volg de procedure voor reiniging en montage, voer de periodieke inspectie uit en gebruik de controlelijst na montage om de tillift weer gebruiksklaar te maken.

### Recycling

Zie "Instructies voor recycling" voor het correct afvoeren van het product. Zie [www.etac.com](http://www.etac.com).

### Reserveonderdelen

Op verzoek is een lijst met reserveonderdelen beschikbaar.

## Periodieke inspectie

### Omvang van de periodieke inspectie

De periodieke inspectie is een visuele controle (vooral van de lastdragende structuur van de tillift en het tilmechanisme met bevestigingen, remmen, bedieningen, veiligheidsvoorzieningen en ondersteuningsvoorzieningen voor de gebruiker) volgens het Rapport voor periodieke inspectie van de Molift Quick Raiser 205.

Zie [www.etac.com](http://www.etac.com).



**Wanneer er door problemen met de tillift sprake is van gevaar voor de veiligheid, moet de tillift onmiddellijk buiten gebruik worden gesteld en duidelijk worden gemarkeerd met "buiten werking". De tillift mag pas na reparatie opnieuw worden gebruikt.**

Neem contact op met Etac via [molift@etac.com](mailto:molift@etac.com) voor training en autorisatie of aanbevelingen voor een goedgekeurde servicepartner.

Bij het uitvoeren van een periodieke inspectie moet de inspecteur het inspectierapport voor de Molift Quick Raiser 205 invullen. De rapporten moeten worden bewaard door degene(n) die verantwoordelijk is/zijn voor het onderhoud van de tillift. Als er bij de inspectie defecten en schade worden vastgesteld, wordt de tillift buiten gebruik gesteld en gemarkeerd met een label "buiten werking" totdat hij is hersteld. Reset het onderhoudslampje na het uitvoeren van een periodieke inspectie, zie pagina 8

De periodieke inspectie moet minimaal één keer per jaar worden uitgevoerd of vaker als dit verplicht is volgens de lokale voorschriften. Deze inspectie moet door servicepersoneel worden uitgevoerd dat door Etac is erkend.

NL

## Problemen oplossen

Probleem	Mogelijke oorzaak/corrigerende maatregel
De tilkolom wiebelt	De vergrendelbouten zijn niet goed vastgezet of de tilkolom is niet correct in het onderstel geplaatst / controleer of de kolom correct in het onderstel is geplaatst en/of draai de bouten aan
De tillift beweegt in slechts één richting (omhoog of omlaag) / de poten bewegen in slechts één richting (naar binnen of naar buiten)	Fout handbediening / vervang door de handbediening van een andere tillift en/of een nieuwe handbediening
	De elektronica is defect / neem contact op met uw plaatselijke servicevertegenwoordiger
De tillift beweegt uit zichzelf omhoog en/of omlaag / de poten bewegen uit zichzelf	Kortsluiting tussen de handbediening en de tillift / reinig de connectoren van de handbediening en het onderstel met spiritus om vet en vuil te verwijderen
	De handbediening is defect / vervang de handbediening / neem contact op met uw plaatselijke servicevertegenwoordiger
	Storingen aan relais/elektronica / vervang elektronica/relais / neem contact op met uw plaatselijke servicevertegenwoordiger
De tilarm beweegt niet / de poten bewegen niet	Accu ontladen / vervang de accu
	Noodstopknop geactiveerd / draai linksom om terug te stellen
	Handbediening losgekoppeld / sluit handbediening opnieuw aan
	De handbediening is defect / vervang de handbediening / neem contact op met uw plaatselijke servicevertegenwoordiger
	Storingen aan elektronica / neem contact op met uw plaatselijke servicevertegenwoordiger
	Motor is defect / neem contact op met uw plaatselijke servicevertegenwoordiger
	Controleer het contactpunt tussen kolom en onderstel.

## Manuel français

FR

## Table des matières

Molift Quick Raiser 205 .....	132
Composants du lève-personne .....	132
À propos du Molift Quick Raiser 205...	132
Généralités .....	133
Déclaration de conformité .....	133
Conditions d'utilisation .....	133
Garantie .....	133
Identification du produit .....	133
Caractéristiques techniques .....	134
Montage .....	135
Batterie .....	135
Support de jambes .....	136
Colonne de levage et châssis .....	136
Bras de levage .....	137
Câble secteur .....	137
Commande manuelle .....	138
Liste de vérification post-installation ...	138
Réinitialisation du témoin d'entretien ..	138
Comment utiliser le	
Molift Quick Raiser 205 ? .....	139
Avant utilisation/vérification quotidienne	139
Commande manuelle .....	139
Dispositifs de sécurité .....	139
Poignées de commande .....	139
Freins .....	139
Arrêt d'urgence/abaissement d'urgence	139
Système électronique .....	141
Conditions de transport	
et de fonctionnement .....	141
Batterie .....	141
Témoins de batterie et d'entretien .....	141
Charge .....	142
Transfert .....	143
Utilisation des harnais .....	143
Réglage du support de jambes .....	143
Autre support de jambes avec sangles.	143
Utilisation d'un bras de levage à 4 points	144
Utilisation d'un bras de levage à 2 points	144
Levage .....	145
Transfert .....	145
Accessoires .....	146
Accessoires .....	146
Suspensions et harnais .....	146
Entretien .....	147
Nettoyage et désinfection .....	147
Reconditionnement .....	147
Recyclage .....	147
Pièces détachées .....	147
Inspection périodique .....	147
Champ de l'inspection périodique .....	147
Dépannage .....	148

## Important

Ce manuel d'utilisation contient des instructions de sécurité importantes et des informations relatives à l'utilisation du lève-personne et de ses accessoires.

Dans ce manuel, l'« utilisateur » désigne la personne soulevée.

L'« assistant » est la personne actionnant le lève-personne.

**Avertissement !**

Ce symbole signale les informations importantes liées à la sécurité. Suivez attentivement ces instructions.

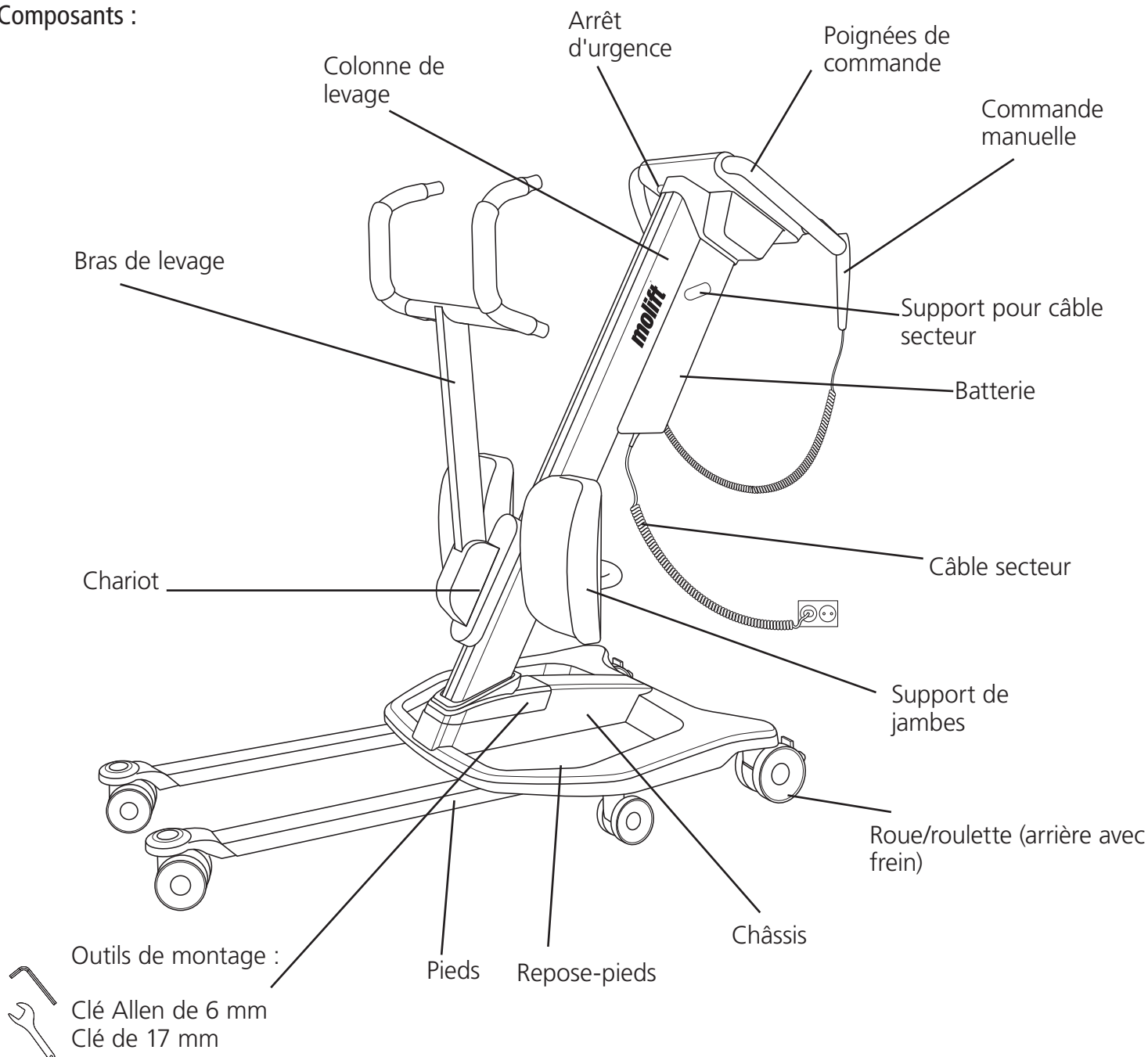


Lisez le manuel d'utilisation avant toute utilisation ! Il est important de comprendre parfaitement le contenu du manuel d'utilisation avant de tenter d'utiliser l'équipement.

Téléchargez la documentation sur [www.etac.com](http://www.etac.com) pour vous assurer que vous disposez bien de la dernière version.

*La déclaration du fabricant figure dans le manuel technique du Molift Quick Raiser (TM13001).*

## Composants :



## À propos du Molift Quick Raiser 205

Le Molift Quick Raiser 205 est un verticalisateur mobile destiné au levage et au transfert de patients depuis/vers une chaise, un fauteuil roulant ou les toilettes à l'aide d'un harnais. Le Molift Quick Raiser 205 est destiné à des utilisateurs capables de suivre des instructions, présentant une grande stabilité du haut du corps et pouvant supporter leur poids sur au moins une jambe, mais ayant besoin d'assistance en position debout. La forme de ce lève-personne et la géométrie du mouvement de levage suivent le mouvement naturel du corps. Ce lève-personne est conçu en matériaux légers. Il est doté de roulettes et d'un

moteur électrique alimenté par une batterie. Le treuil est actionné par la commande manuelle ou le panneau de commande situé sur celui-ci. Il est muni de pieds réglables électriquement et offre une capacité de levage de 205 kg (451 lbs). Ce modèle est idéal pour les soins en institution, mais il peut aussi être utilisé à domicile et en maison de retraite. Le lève-personne doit être utilisé uniquement pour des transferts sur de courtes distances (par exemple, entre le fauteuil et le lit ou vers la salle de bains/les toilettes) et ne remplace pas un fauteuil roulant.

## Généralités

FR

## Déclaration de conformité

**CE** Le Molift Quick Raiser 205 et ses accessoires décrits dans le présent manuel portent le marquage CE, conformément à la directive 93/42/CEE du Conseil de l'Union européenne relative aux dispositifs médicaux de classe 1. Il a été testé et approuvé par un organisme indépendant, conformément aux normes CEI 60601-1, CEI 60601-1-2 et NS-EN ISO 10535:2021.

## Conditions d'utilisation

Le levage et le transfert d'une personne présentent toujours un risque ; seul du personnel formé est autorisé à utiliser l'équipement et les accessoires présentés dans ce manuel d'utilisation.

## Modifications et utilisation de composants conçus par d'autres fabricants

Nous recommandons d'utiliser uniquement des composants et pièces détachées Etac Molift. La déclaration de conformité n'est pas valable et Etac ne prend pas en charge la garantie si des modifications sont apportées au produit. Etac ne peut être tenu responsable de pannes ou d'accidents susceptibles de se produire lors de l'utilisation de composants d'autres fabricants.



Seul le personnel certifié est autorisé à ouvrir le lève-personne ou ses accessoires afin de procéder à l'entretien ou la réparation. Risque de blessure causée par les pièces rotatives et risque de décharge électrique.



Le lève-personne ne doit pas être actionné par la personne soulevée.

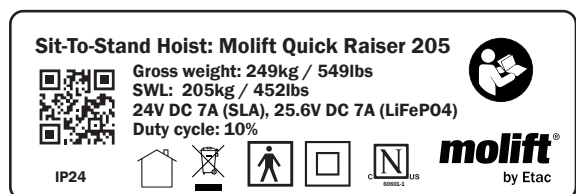
## Garantie

Garantie de 2 ans contre les vices de fabrication et les défauts matériels de nos produits. Pour connaître les conditions générales, rendez-vous sur [www.etac.com](http://www.etac.com).

## Identification du produit

## Étiquette du produit/GS1-128

L'étiquette avec code-barres présente le code EAN, le numéro de série et la date de fabrication du produit.



Partie appliquée de type BF



Indicateur de charge



Marquage CE



Symbole de double isolation



Consultez le manuel d'utilisation



Fabricant



Utilisation en intérieur uniquement



Date de fabrication  
 YYYY-MM-DD



Ne pas jeter avec les déchets ménagers.



REF Référence catalogue



Abaissement d'urgence



SN Numéro de série



Témoin d'entretien



MD Dispositif médical



Témoin de batterie

## Étiquettes d'avertissement et symboles

Symboles utilisés sur le produit, expliqués en détail :

FR

## Caractéristiques techniques du Quick Raiser 205

### Charge maximale d'utilisation (CMU) :

205 kg (451 lbs)

### Poids de l'unité :

Poids total de l'unité : 44,5 kg/98 lbs

Châssis : 17 kg/37,5 lbs

Colonne de levage : 19 kg/41,9 lbs

Support de jambes : 3,5 kg/7,7 lbs

Bras de levage à 4 points : 5 kg/11 lbs

### Batterie :

SLA 24 V 2,9 Ah

LiFePO4 25,6 V 2,4 Ah

### Chargeur de batterie :

Entrée :

100-240 V CA, 50-60 Hz, max. 0,35 A

Sortie : 29,4 V CC, 0,5 A

### Temps de charge de la batterie :

5 heures

### Performance nominale :

100 levages à : 75 kg et 500 mm

### Vitesse de levage :

35 mm/seconde (1,4 inches/seconde)

avec une charge de 75 kg (165 lbs)

### Classe de protection :

IP24 (lève-personne complet).

La sonde sphérique de Ø12,5 mm ne doit pas complètement rentrer. Les projections d'eau sur l'enveloppe (depuis toutes les directions) ne doivent pas avoir d'effet nuisible.

### Force nécessaire à l'actionnement des boutons :

Boutons du panneau de commande : &lt; 5 N

Boutons du boîtier de contrôle : &lt; 5 N

### Matériaux :

Aluminium, plastique, acier

### Moteur :

Moteur de levage : 24 V CC

Moteur d'écartement des pieds : 24 V CC

### Diamètre de rotation :

1 144 mm (57 inches)

### Durée de vie prévue :

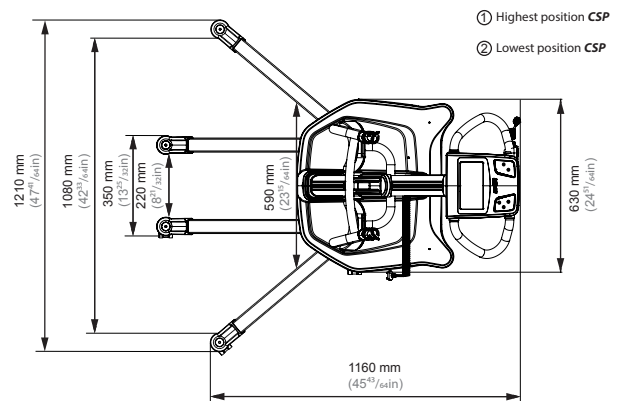
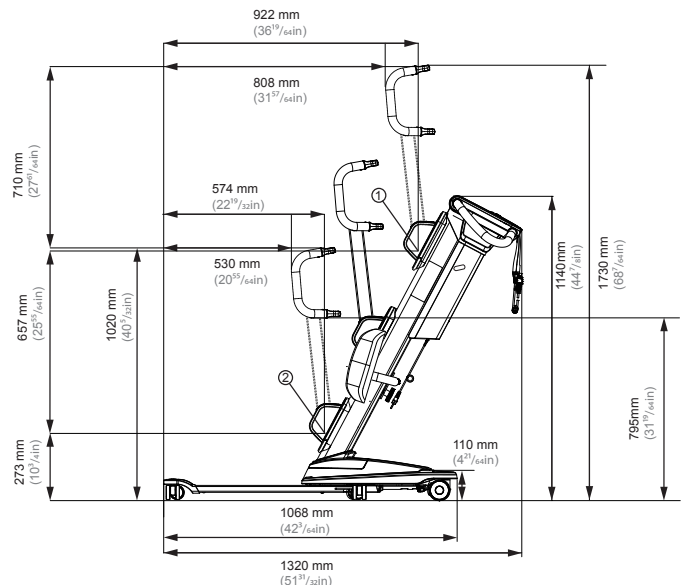
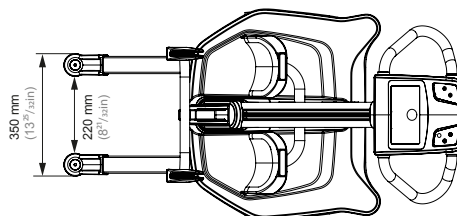
Le lève-personne et ses accessoires ont une durée de vie prévue de 30 000 cycles ou de 10 ans.

### Éléments appliqués :

Harnais

Repose-pied

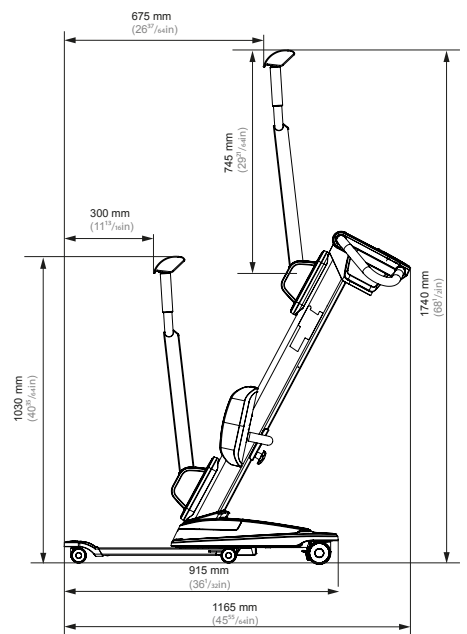
Poignées de culbuteur



① Highest position CSP

② Lowest position CSP

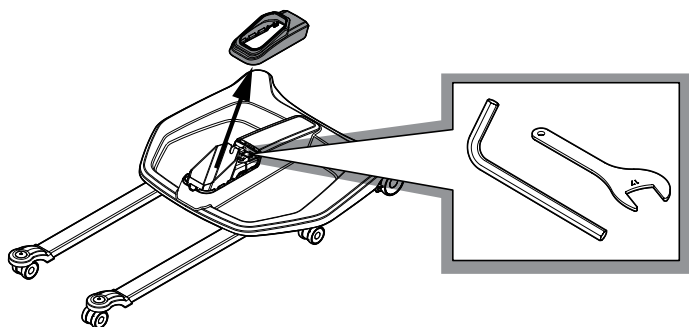
QuickRaiser 205 FL (Fixed Legs):



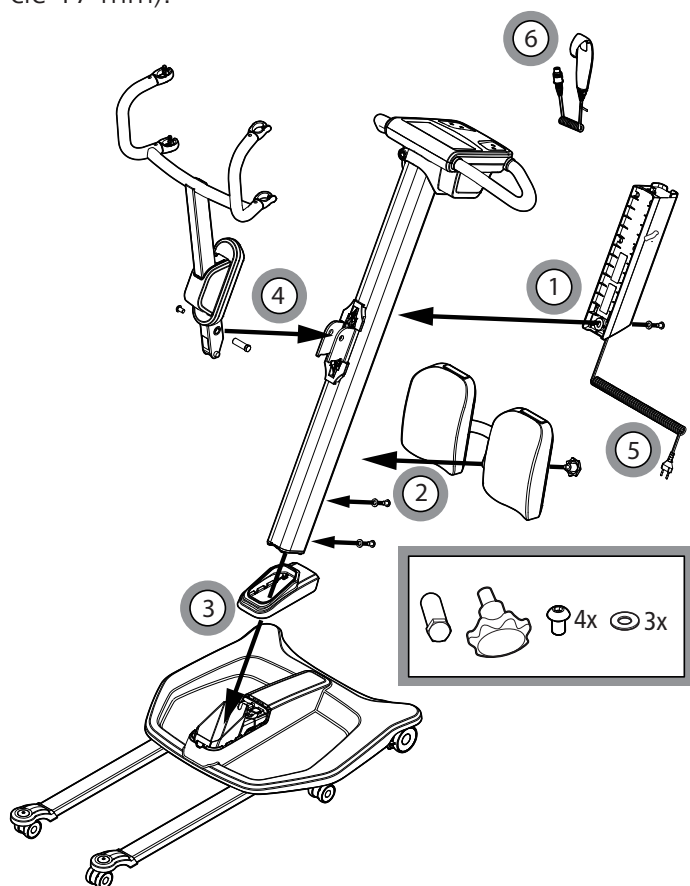
## Instructions de montage

FR

## Avant le montage



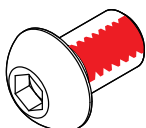
Localisez les outils de montage (clé Allen 5 mm et clé 17 mm).



1. Batterie
2. Repose-jambes
3. Colonne dans le châssis
4. Bras de levage
5. Câble secteur
6. Commande manuelle

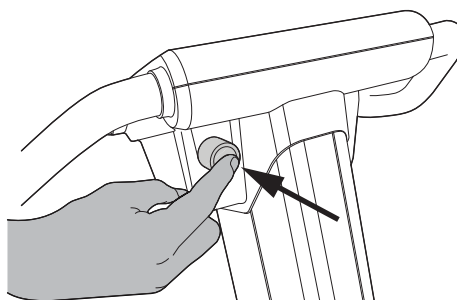


Le montage du lève-personne est réservé au personnel dûment formé.

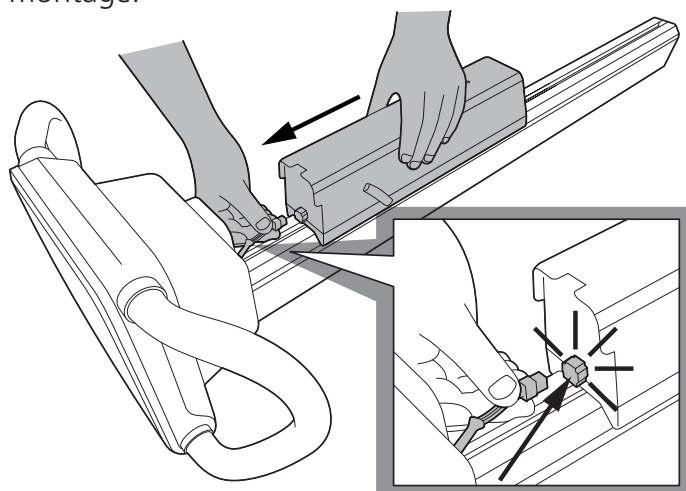


Les vis sur lesquelles un adhésif frein-filet est appliqué au préalable sont exclusivement réservées à un usage unique. Pièce détachée, art. n° 2920075.

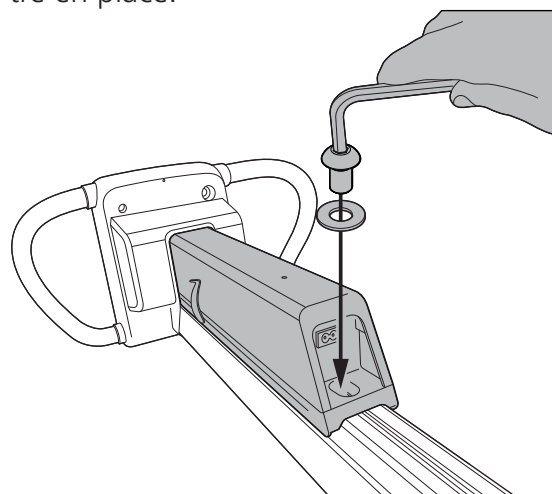
## 1 - Batterie



Enfoncez le bouton d'arrêt d'urgence avant le montage.



Placez la colonne sur une surface horizontale. Vérifiez que l'arrêt d'urgence est enfoncé. Raccordez le fil du panneau de commande au boîtier de la batterie. Faites glisser le boîtier de la batterie pour le mettre en place.

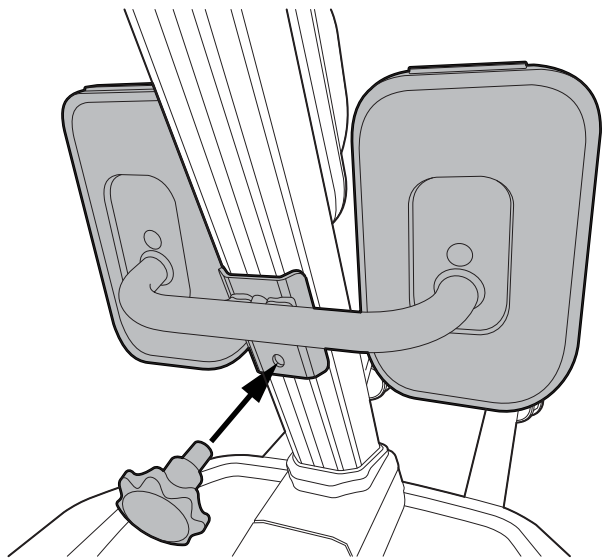


Serrez la vis dans le sens horaire à l'aide de la clé Allen. Remarque : veillez à utiliser la rondelle.

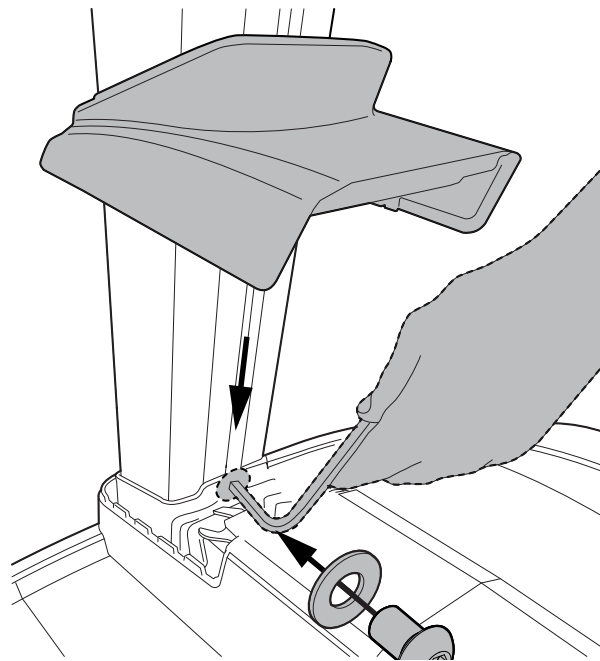


Assurez-vous que la batterie est correctement installée avant de monter la colonne dans le châssis.

## 2 - Support de jambes

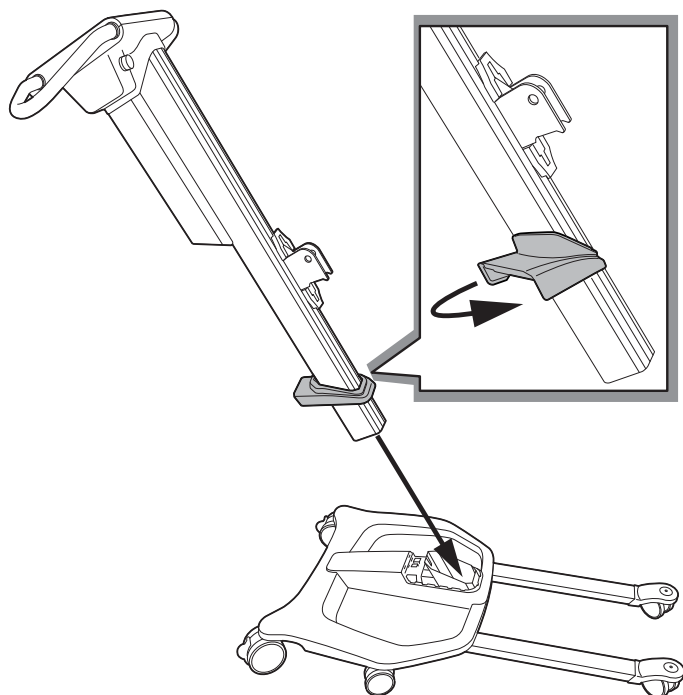


Montez le support de jambes.

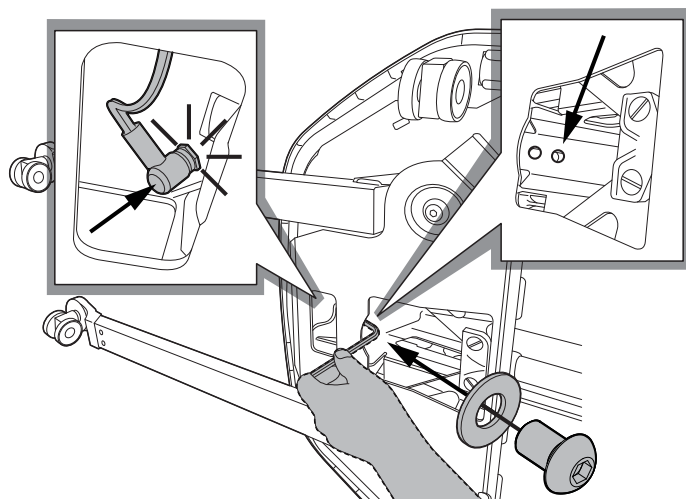


Montez la vis avec la rondelle sur la colonne. Faites glisser la vis vers le bas du châssis et serrez-la.

## 3 - Colonne de levage et châssis



Placez le capot sur la colonne de levage. Faites pivoter le capot latéralement pour le placer sur la colonne. Insérez la colonne de levage dans le châssis.

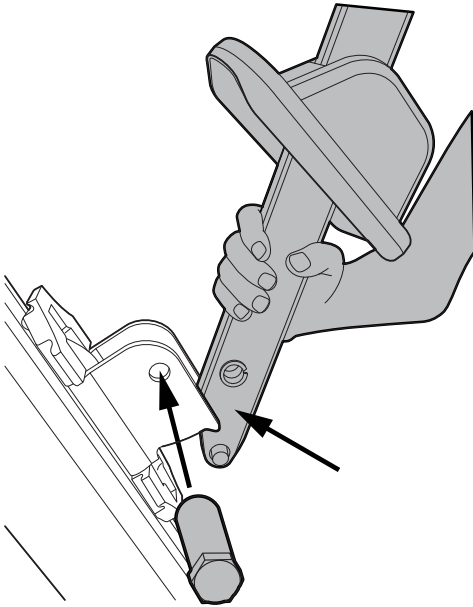


Tournez le lève-personne sur le côté. Insérez la vis et la rondelle dans le trou supérieur et serrez la vis. Branchez le câble entre la colonne et le châssis. (Remarque : le câble n'est PAS applicable sur la version FL du Molift Quick Raiser 205.)

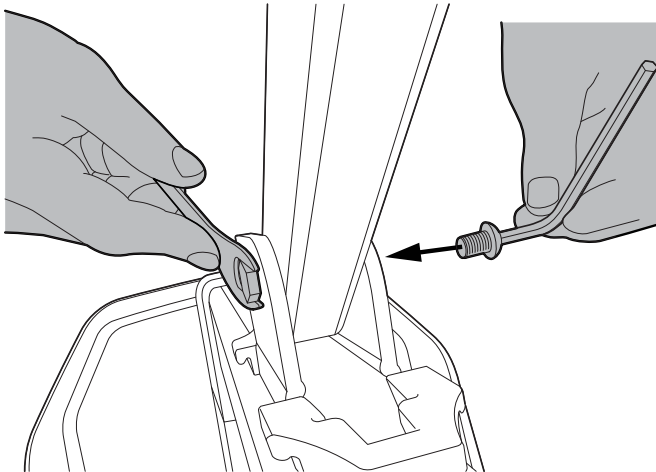


Les vis garantissent que la colonne ne puisse pas être soulevée. N'utilisez pas le lève-personne si les deux vis ne sont pas bien serrées.

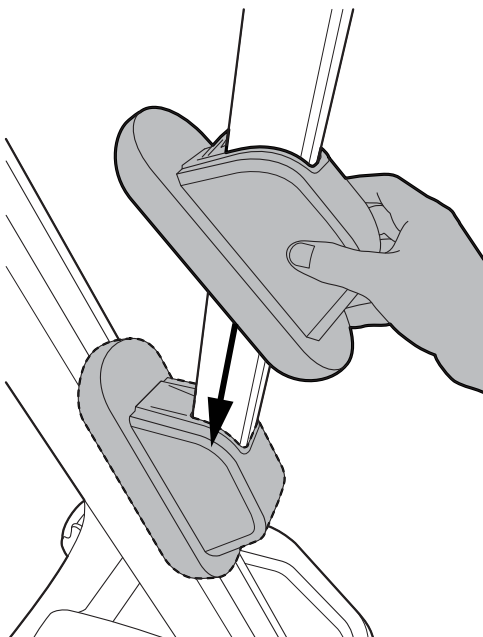
#### 4 - Bras de levage



Placez le capot sur le bras de levage. Placez le bras de levage dans le chariot et insérez le boulon.

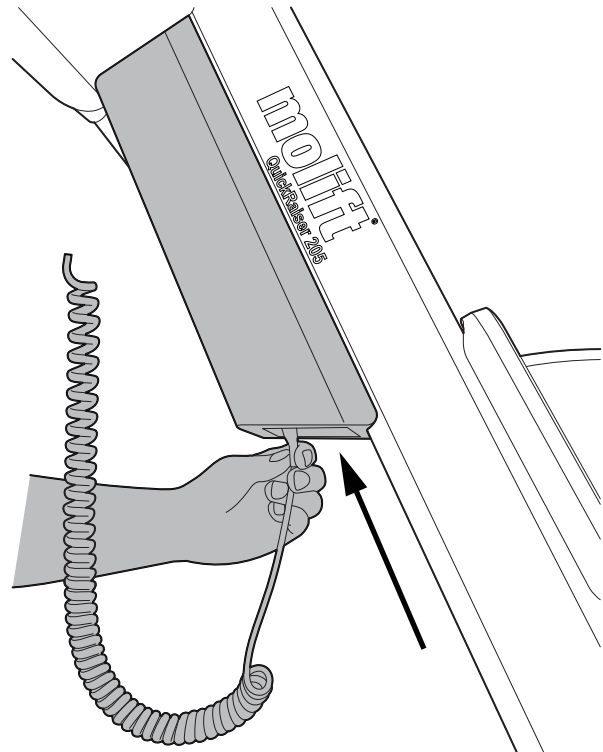


Insérez le boulon et serrez la vis à l'aide de la clé 17 mm et d'une clé Allen 6 mm. Vérifiez que le bras de levage est correctement fixé au chariot sur la colonne.

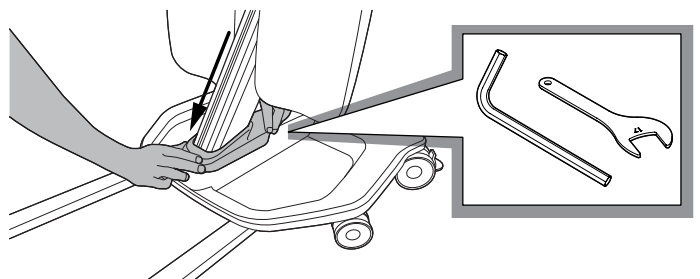


Posez le capot sur le chariot.

#### 5 - Câble secteur

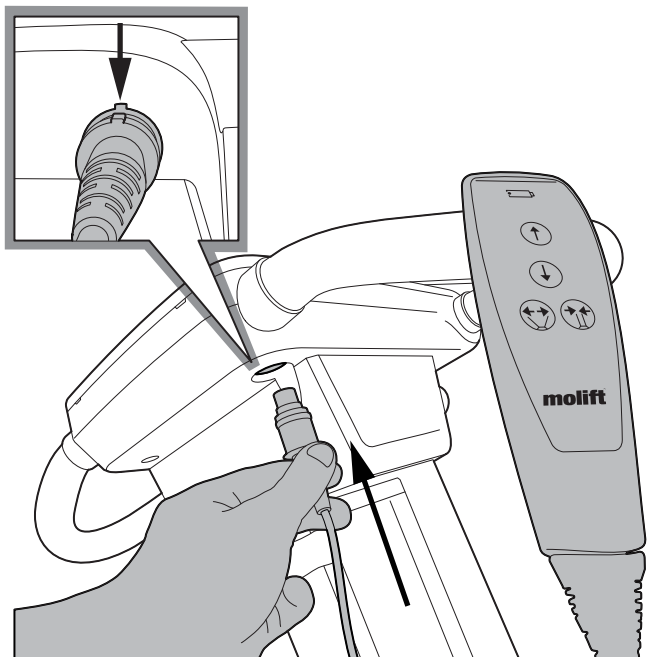


Raccordez le câble secteur au bas du boîtier de la batterie.



Posez le capot sur le châssis. N'oubliez pas de remettre les outils à leur place.

## 6 - Commande manuelle



Raccordez la commande manuelle au panneau de commande.



Terminez le contrôle indiqué par la liste de vérification post-montage avant de commencer à utiliser le lève-personne.

### Liste de vérification post-montage

Avant utilisation, servez-vous de cette liste de vérification pour vous assurer que le lève-personne est correctement monté et qu'il peut fonctionner en toute sécurité.



Après montage, réinitialisez l'arrêt d'urgence en le tournant dans le sens horaire. Le témoin d'entretien doit maintenant être jaune. Après vérification de cette liste, réinitialisez le témoin d'entretien comme indiqué dans les instructions de montage.

- Assurez-vous que le support de jambes et le bras de levage sont correctement fixés et qu'aucune pièce n'est desserrée sur le lève-personne.
- Vérifiez que la colonne de levage est correctement fixée au châssis et que les deux vis sont bien serrées.
- Branchez le lève-personne à une prise de courant pour vous assurer que le chargeur de batterie intégré fonctionne. Chargez la batterie si nécessaire.
- Vérifiez que le lève-personne ne présente aucun dommage apparent ou autre défaut.
- Réalisez un levage avec une charge comprise entre 50 et 100 kg.  
Remarque : le lève-personne ne fonctionne pas pendant la charge.

### Réinitialisation du témoin d'entretien

Si le témoin d'entretien est jaune, veuillez contacter votre partenaire d'entretien Molift pour connaître la marche à suivre.

Le témoin d'entretien repasse au jaune après 12 mois pour indiquer qu'il est temps de procéder à une inspection périodique.

# Comment utiliser le Molift Quick Raiser 205 ?

FR

## Précautions générales relatives à la sécurité

N'utilisez que des accessoires et des harnais adaptés à l'utilisateur, au type de handicap, à la taille, au poids et au type de transfert.

## Intervalles de fonctionnement et de pause/pourcentage d'utilisation

Le Molift Quick Raiser 205 ne doit pas fonctionner en continu pendant plus de 2 minutes (sous charge maximale) et doit rester au repos pendant au moins 18 minutes. Pourcentage d'utilisation : 10 %. (Intervalles conformes à la norme EN ISO 10535)

## Charge maximale d'utilisation

La charge maximale d'utilisation (CMU) est indiquée sur le lève-personne.



Si les charges maximales d'utilisation (CMU) du lève-personne, de la suspension et de l'unité de soutien du corps sont différentes, la charge maximale la plus faible prévaut toujours.



Les lève-personnes Molift peuvent uniquement être utilisés pour soulever des personnes. N'utilisez jamais le lève-personne pour soulever ou déplacer des objets d'aucune sorte.

## Avant utilisation/vérification quotidienne

Contrôles à réaliser quotidiennement ou avant toute utilisation :

- Vérifiez que le lève-personne ne présente pas de dommage visible, défaut ou déformation.
- Assurez-vous que le bras de levage, le support de jambes, le boîtier de la batterie et toutes les pièces détachables sont correctement connectés et fixés.
- Testez le bouton d'arrêt d'urgence.
- Contrôlez les témoins d'entretien et de niveau de batterie.
- Assurez-vous que la sangle du harnais ne

présente aucun signe de dommage ou d'effilochage.

- Assurez-vous que les roues tournent librement et que le lève-personne est facile à manœuvrer.
- Testez les fonctions du lève-personne et assurez-vous que le lève-personne ne fait pas de bruit anormal.



En présence de défauts, mettez l'appareil hors service et marquez-le comme tel.

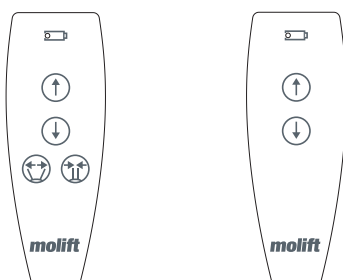
## Commande manuelle

La commande manuelle est munie de 4 boutons pour le levage et l'abaissement du bras de levage et le resserrement et l'écartement des pieds.

La commande manuelle présente un témoin lumineux qui s'allume lorsque le niveau de la batterie est faible et que le lève-personne doit être chargé.

Commande manuelle à 4 boutons :  
art. n° 2910010

Commande manuelle à 2 boutons :  
art. n° 2910011

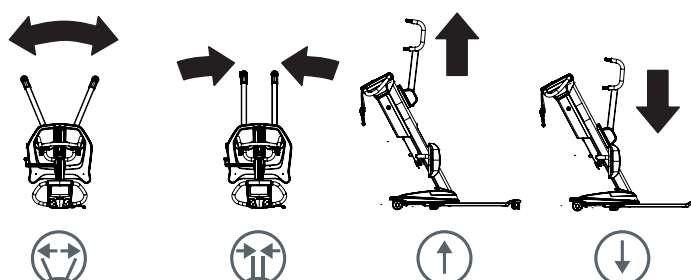


## Bras de levage - Montée/Descente

Remarque : la position la plus haute est la plus instable pour le lève-personne.

## Pieds - rapprochement/écartement

Remarque : l'écartement des pieds améliore la stabilité et facilite l'accès à la chaise ou aux toilettes.



## Dispositifs de sécurité

Le Molift Quick Raiser 205 est équipé de plusieurs dispositifs de sécurité, conçus pour prévenir tout dommage matériel ou toute blessure du personnel en cas d'utilisation incorrecte ou de panne. Le lève-personne est muni d'un capteur de surcharge empêchant toute utilisation du dispositif si la charge dépasse la CMU. La suspension est articulée pour empêcher le bras ou la suspension de comprimer l'utilisateur.

## Poignées de commande

Utilisez les poignées de commande pour déplacer le lève-personne.

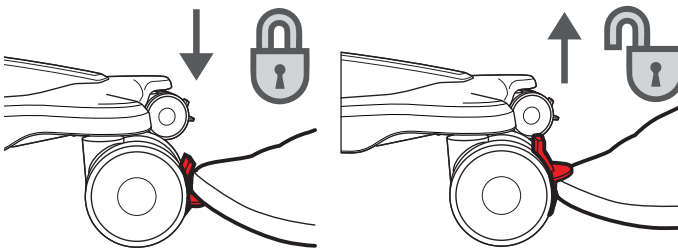


**Ne poussez ou ne tirez pas l'utilisateur, la colonne de levage ou le bras de levage.** Cela risquerait de rendre le dispositif instable et de faire basculer le lève-personne.

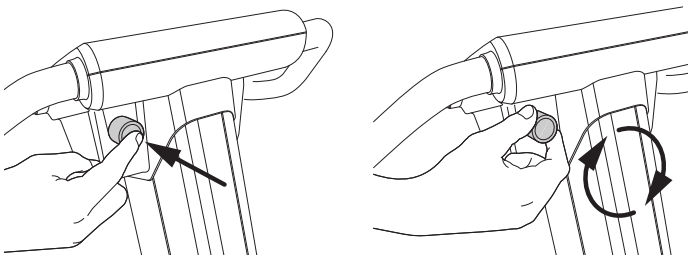
Le lève-personne ne doit être utilisé que pour des déplacements sur de courtes distances. Il ne remplace pas un fauteuil roulant ou un dispositif similaire.

## Freins

Les roues/roulettes arrière sont équipées de freins au pied. Appuyez avec le pied sur les freins pour bloquer ceux-ci. Poussez ou appuyez avec le pied sur la partie supérieure des freins pour les débloquer.

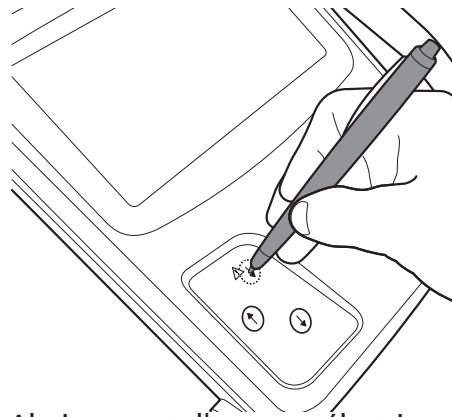


## Arrêt d'urgence/abaissement d'urgence



### Arrêt d'urgence

Une pression sur ce bouton coupe l'alimentation. Tournez-le dans le sens horaire pour le réinitialiser.

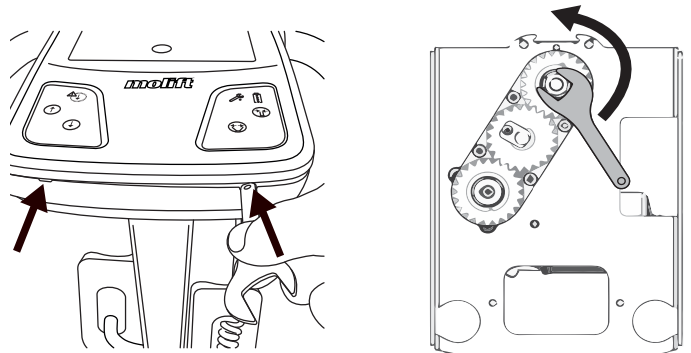


### Abaissement d'urgence électrique

Utilisez un stylo ou un objet pointu pour appuyer sur le bouton d'abaissement d'urgence électrique et le maintenir enfoncé pour abaisser la suspension. La fonction d'abaissement d'urgence électrique ne peut pas être utilisée si l'arrêt d'urgence est activé.



**N'utilisez l'abaissement d'urgence électrique que si aucun autre bouton ne fonctionne.**



### Abaissement d'urgence manuel

Utilisez la clé située dans le capot inférieur pour faire pivoter le capot du panneau de commande en deux points.



**Enfoncez le bouton d'arrêt d'urgence avant d'ôter le capot. Les pièces rotatives présentent un risque de coincement !**

À l'aide de la clé de 17 mm, tournez la vis sphérique dans le sens antihoraire jusqu'à ce que l'utilisateur soit abaissé en toute sécurité. La fonction d'abaissement d'urgence manuel ne doit être utilisée que lorsque l'abaissement d'urgence électrique ne fonctionne pas.



**En cas d'utilisation de l'abaissement d'urgence, indiquez que le lève-personne est « hors service » et demandez un entretien !**

# Système électronique

FR

## Conditions de transport et de fonctionnement

### Transport et stockage

En cas de stockage à long terme, il est recommandé d'activer le bouton d'arrêt d'urgence (bouton enfoncé). Vous pouvez stocker et transporter le lève-personne à des températures comprises entre -25 et 70 °C.

### Fonctionnement

Le lève-personne est destiné à une utilisation à des températures ambiantes standard (+5 à +40 °C).

Pression de l'air : 70-106 kPa

Humidité relative : 15-93 %

Après un stockage ou un transport à d'autres températures, laissez le lève-personne dans une pièce présentant une température adéquate jusqu'à ce qu'il atteigne une température de fonctionnement sûre.



Les équipements électromédicaux nécessitent des précautions spéciales en matière de compatibilité électromagnétique (CEM). Les équipements de radiocommunication portables ou mobiles peuvent affecter les équipements électromédicaux et doivent rester à au moins 25 cm (10 inches) du système électronique du lève-personne.

## Batterie



Le Molift Quick Raiser 205 est disponible avec une batterie 24 V SLA ou une batterie 25,6 V LiFePO4, et dispose dans les deux cas d'un chargeur intégré. La batterie SLA présente une durée de vie de 500 cycles de charge environ.

La batterie LiFePO4 présente une durée de vie de 2 000 cycles de charge environ.



Les batteries doivent être mises au rebut en tant que déchets spéciaux, conformément aux règles et réglementations locales. Ne pas jeter avec les déchets ménagers.






## Témoins de batterie et d'entretien

	Symbole de clé/témoin d'entretien
	Symbole de batterie/témoin de batterie

Le système électrique dispose d'une fonction d'économie d'énergie qui éteint le système au bout de cinq minutes d'inactivité. Tous les témoins s'éteignent. Le système s'active lorsque vous appuyez sur l'un des boutons de fonctionnement.

### Témoin de batterie sur le panneau de commande

Lorsque le témoin de batterie à plusieurs niveaux est jaune, le lève-personne dispose de suffisamment d'énergie pour un cycle complet de levage à charge maximale. Lorsque le témoin de batterie clignote en jaune, il est seulement possible d'abaisser le bras de levage.

Témoin de batterie		Niveau de batterie
	Vert	80 % ou plus
	Vert	80-60 %
	Vert	60-40 %
	Vert	40-20 %
	Jaune ou jaune clignotant	20 % ou moins (recharge nécessaire du lève-personne)

### Témoin d'entretien

Le système électronique du lève-personne mémorise le nombre de levages et les charges correspondantes. Au bout d'un certain temps de fonctionnement, un signal est envoyé pour indiquer qu'un entretien est nécessaire.

#### Témoin d'entretien (depuis le 01/01/2018)

<i>Témoin d'entretien</i>	<i>Mode</i>
Éteint	Entretien pas nécessaire
Vert clignotant	Prévoir un entretien
Jaune	Inspection périodique requise
Rouge	Réaliser l'entretien

#### Témoin d'entretien (jusqu'au 31/12/2017)

<i>Témoin d'entretien</i>	<i>Mode</i>
Éteint	Entretien pas nécessaire
Jaune	Prévoir un entretien
Jaune clignotant	Inspection périodique requise
Rouge	Réaliser l'entretien



Ne placez pas le lève-personne dans une position qui rend difficile le débranchement du câble secteur.

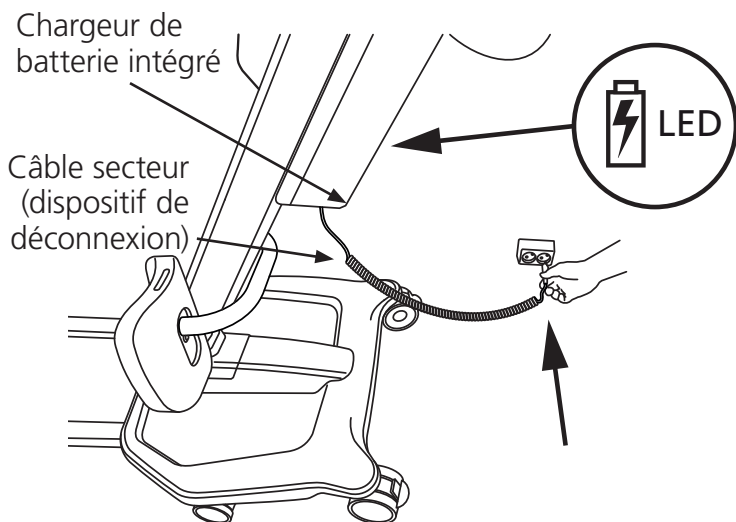


Ne rechargez en aucun cas le lève-personne dans une salle de bain ou une pièce dont les surfaces sont humides !



Retirez le câble secteur de la prise murale avant de déplacer le lève-personne.

## Charge



Le lève-personne est muni d'un chargeur intégré. Garez le lève-personne et branchez-le à une prise murale pour charger la batterie. Un témoin à l'arrière du boîtier de batterie est rouge pendant la charge. Le témoin sur le boîtier de batterie passera au vert fixe une fois le lève-personne complètement chargé. Pendant la charge, les témoins du panneau de commande clignotent toutes les 10 secondes.

# Transfert

FR

Planifiez l'opération de levage à l'avance afin de garantir une procédure aussi sûre et fluide que possible. Pensez à adopter une position de travail ergonomique. Évaluez les risques et prenez des notes. L'assistant est responsable de la sécurité de l'utilisateur.

## Utilisation des harnais

Il est important que le harnais soit testé avec chaque utilisateur et pour le levage prévu.



Lisez le manuel d'utilisation du harnais avant utilisation.

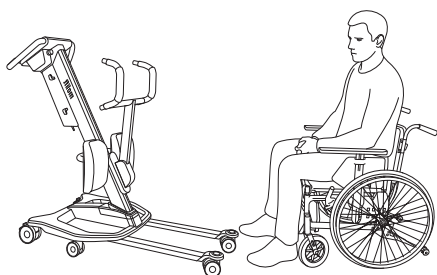


N'utilisez pas de harnais endommagés ou usés.

## Harnais d'autres fabricants

N'utilisez que des harnais Molift. Etac ne peut être tenu responsable des pannes ou des accidents pouvant se produire lors de l'utilisation de harnais d'autres fabricants.

## Réglage du support de jambes



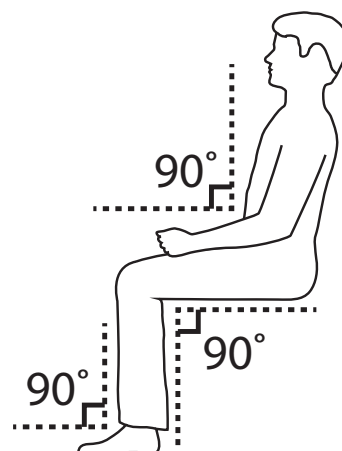
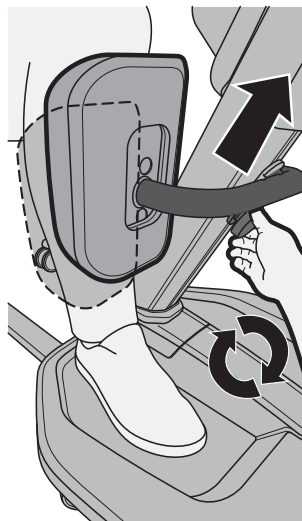
Placez le Quick Raiser 205 devant l'utilisateur. Placez les pieds sur le repose-pieds. Si nécessaire, aidez l'utilisateur à placer ses pieds correctement. Verrouillez les roulettes du lève-personne avant de soulever l'utilisateur.

L'angle optimal des articulations de l'utilisateur avant levage est de 90 degrés.

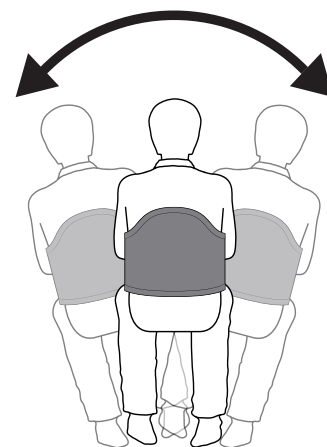
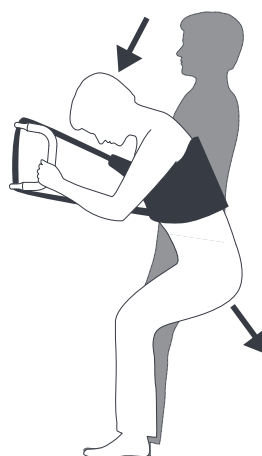


Vérifiez que la hauteur du support de jambes est ajustée à l'anatomie de chaque utilisateur. Le haut des coussins doit se situer 2 cm sous le genou de l'utilisateur.

Si nécessaire, utilisez le bouton tournant pour régler le support de jambes plus haut ou plus bas.

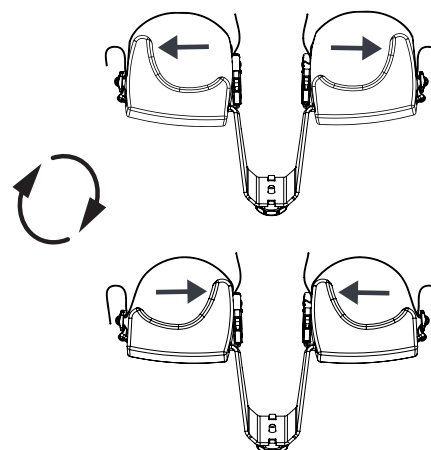


Veillez à ce que l'utilisateur ne tombe pas vers l'avant ou ne glisse pas sur les côtés avant de lever/d'abaisser le système.

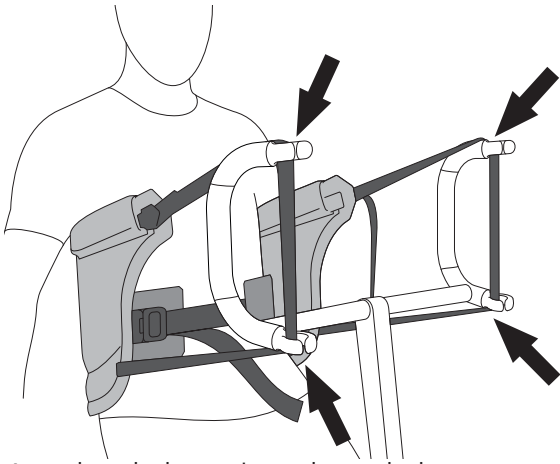


## Autre support de jambes avec sangles

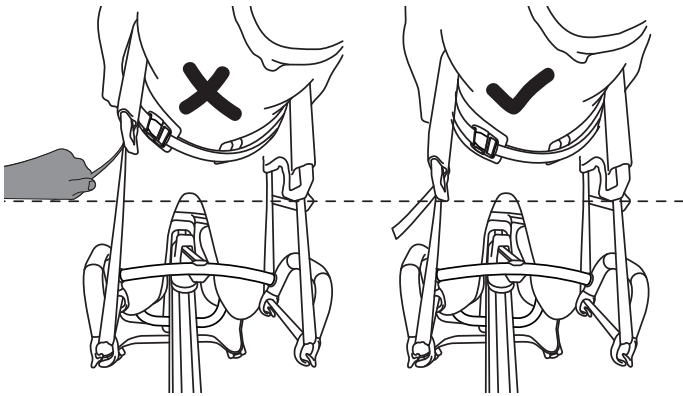
L'autre support de jambes avec sangles peut être retiré et pivoté de 180 degrés pour augmenter le soutien à l'intérieur et à l'extérieur des jambes de l'utilisateur.



## Utilisation d'une suspension à 4 points



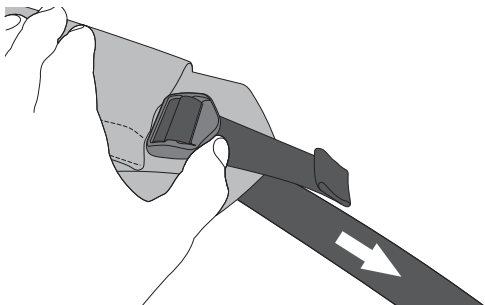
Attachez le harnais au bras de levage en guidant la sangle dans les 4 crochets.



Tirez sur les sangles pour régler la longueur de celles-ci. Assurez-vous que les deux côtés ont une longueur identique.

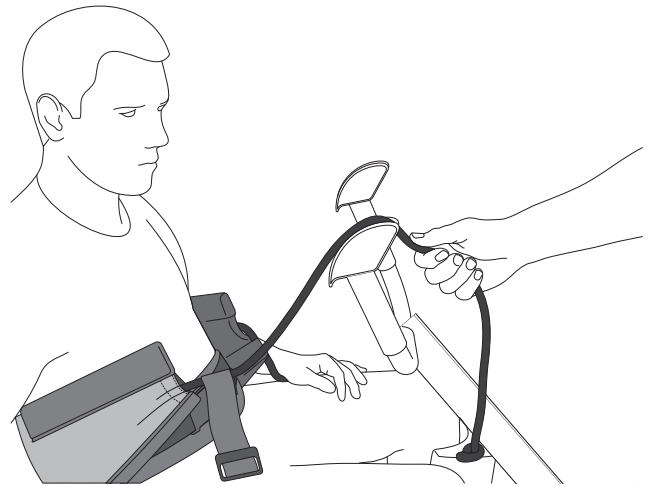
Le poids du patient permet de bloquer la sangle dans le bras de levage. L'utilisateur doit se pencher légèrement vers l'arrière lors du levage et, si possible, se tenir aux poignées.

### Retrait du harnais



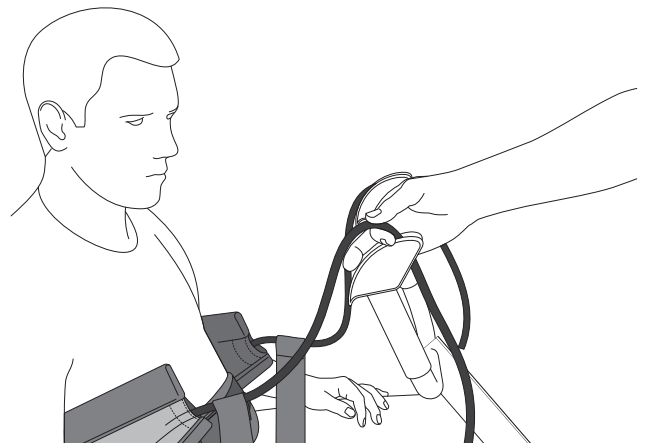
Desserrez à nouveau les sangles en inclinant la boucle et en poussant celles-ci vers l'extérieur.

## Utilisation d'une suspension à 2 points



Sur le bras de suspension à 2 points, attachez les cordons au bras de levage en les tirant fermement depuis le dessus puis en les insérant dans les dispositifs de blocage.

### Retrait du harnais



Libérez la sangle en faisant glisser vos doigts le long du cordon loin du patient.

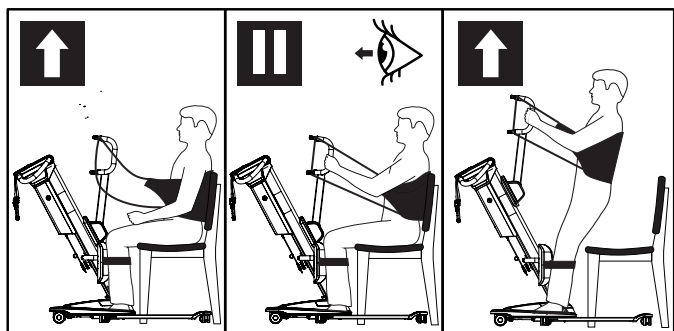


Le RgoSling Active ne peut être utilisé qu'avec une suspension à 4 points. Le RgoSling Stand Up ne peut être utilisé qu'avec une suspension à 2 points.

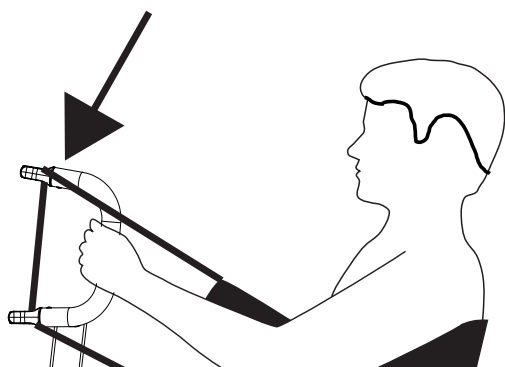
## Levage/abaissement

Lorsque vous déplacez l'utilisateur, tenez-vous à côté de lui. Assurez-vous que vos bras et vos jambes n'obstruent pas l'accès au siège, au lit, etc. Maintenez le contact visuel avec l'utilisateur pour qu'il se sente en sécurité.

Si possible : élargissez la base des roues avant le levage à l'aide du bouton à cet effet sur la commande manuelle.



1. Vérifiez que le harnais est correctement placé autour de l'utilisateur et que les boucles de sangle sont correctement fixées sur les crochets de suspension.
2. Veillez à ce que les deux pieds de l'utilisateur soient fermement placés sur le repose-pieds du lève-personne.
3. Étirez les sangles du harnais sans soulever l'utilisateur. Assurez-vous que les deux boucles du harnais sont fermement fixées afin d'éviter tout glissement ou toute chute de l'utilisateur.
4. Vérifiez que la boucle est correctement serrée.
5. Levez l'utilisateur en position debout, serrez et ajustez le harnais si nécessaire.

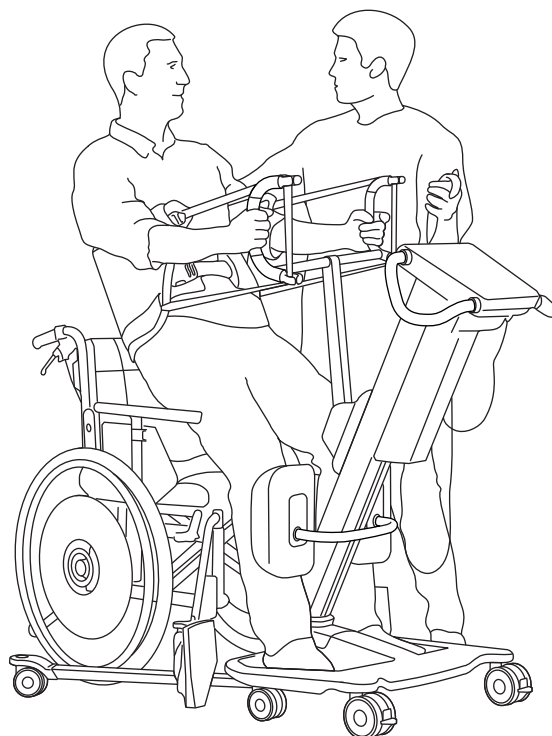


**Assurez-vous que les sangles de levage ne compriment pas les mains et les doigts de l'utilisateur.**

Remarque : les roues du siège où s'assied ou était assis l'utilisateur doivent être verrouillées.

## Transfert

Soulevez doucement le patient jusqu'à ce que ses fesses ne soient plus en contact avec le siège et serrez la ceinture. Débloquez les roues du lève-personne et déplacez le patient à l'endroit souhaité.



Faites attention pendant le déplacement à ne pas entrer en collision avec des meubles, des murs, des portes, etc.



**Le lève-personne ne doit pas être utilisé pour lever ou déplacer des utilisateurs sur des surfaces inclinées.**

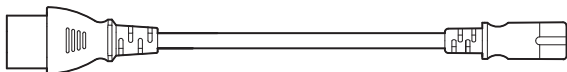
Évitez les tapis épais, marches hautes, surfaces inégales ou autres obstacles susceptibles de bloquer les roulettes. Le lève-personne peut devenir instable en cas de passage forcé sur de tels obstacles, augmentant ainsi le risque de basculement.

Le lève-personne ne doit être utilisé que pour des déplacements sur de courtes distances. Il ne doit pas se substituer à un fauteuil roulant ou à d'autres appareils de mobilité similaires.

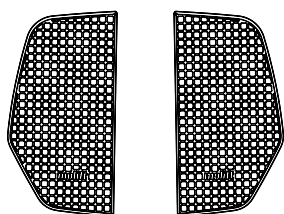
Équipement et accessoires facultatifs (recommandés) pour le Molift Quick Raiser 205.

Accessoires

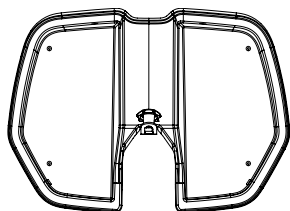
Rallonge pour cordon d'alimentation  
Art. n° : 2920117



Kit d'inserts pour repose-pieds  
Art. n° : 2920151



Repose-pieds  
Art. n° : 2910065



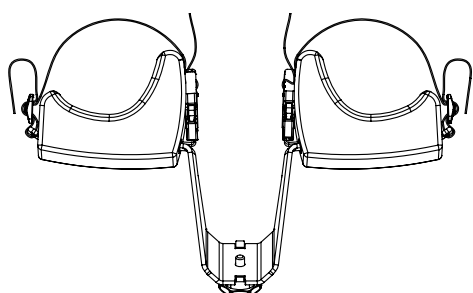
Autre support de jambes avec sangles :

Kit complet avec support et grands coussins  
Art. n° : 2910056

Kit de grands coussins  
Art. n° : 2910077

Kit complet avec support et petits coussins  
Art. n° : 2910059

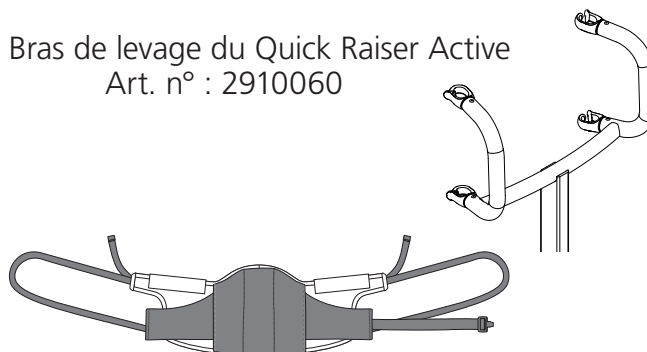
Kit de petits coussins  
Art. n° : 2910076



Bras et harnais de levage

Suspension à 4 points :

Bras de levage du Quick Raiser Active  
Art. n° : 2910060

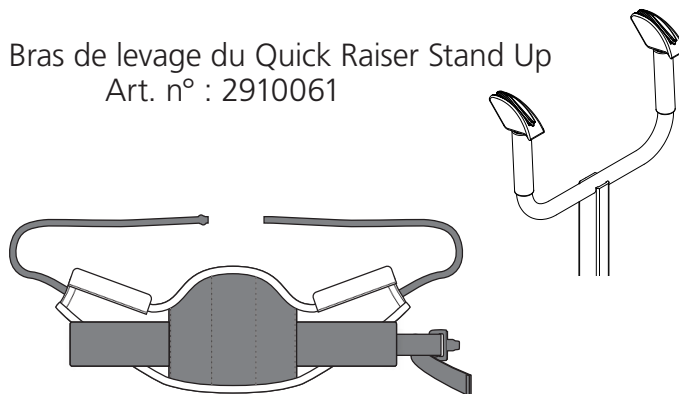


Rgosling Active

Art. n° : 1720910	Taille XS
Art. n° : 1720920	Taille S
Art. n° : 1720930	Taille M
Art. n° : 1720940	Taille L
Art. n° : 1720950	Taille XL

Suspension à 2 points :

Bras de levage du Quick Raiser Stand Up  
Art. n° : 2910061



Rgosling Stand Up

Art. n° : 1720710	Taille XS
Art. n° : 1720720	Taille S
Art. n° : 1720730	Taille M
Art. n° : 1720740	Taille L
Art. n° : 1720750	Taille XL

Rgosling Stand Up Padded

Art. n° : 1720810	Taille XS
Art. n° : 1720820	Taille S
Art. n° : 1720830	Taille M
Art. n° : 1720840	Taille L
Art. n° : 1720850	Taille XL

## Entretien

FR

### Nettoyage et désinfection

Nettoyez le système régulièrement. Nettoyez les surfaces avec un chiffon humide et un détergent approprié au pH neutre. N'utilisez pas de solvants ou de liquides forts, car ils pourraient endommager les surfaces du lève-personne. Lorsqu'une désinfection est nécessaire, utilisez de l'alcool isopropylique. Évitez les produits de nettoyage abrasifs.

- Retirez la protection du bras de levage pour nettoyer en dessous.
- Au besoin, retirez le coussin pour les genoux et nettoyez-le avec de l'eau courante.
- Retirez les cheveux et les poils de tapis pouvant s'être coincés dans les roulettes et assurez-vous que celles-ci tournent librement.

Nettoyez si nécessaire les contacts et la commande manuelle avec de l'alcool isopropylique pour éliminer la graisse et toute autre saleté. Vérifiez l'arrêt d'urgence après le nettoyage. Le lève-personne ne doit pas être exposé à de l'eau courante.



**Assurez-vous de ne pas endommager ou ôter les étiquettes lors du nettoyage.**

### Reconditionnement

Suivez la procédure de nettoyage et de montage, réalisez l'inspection périodique et utilisez la liste de vérification post-montage pour reconditionner le lève-personne.

### Recyclage

Reportez-vous aux instructions de recyclage pour savoir comment mettre le produit au rebut correctement. Rendez-vous sur [www.etac.com](http://www.etac.com).

### Pièces détachées

Une liste de pièces détachées est disponible sur demande.

## Inspection périodique

### Champ de l'inspection périodique

L'inspection périodique est un examen visuel (en particulier de la structure de soutien de la charge du lève-personne et du mécanisme de levage avec ses fixations, freins, commandes, dispositifs de sécurité et dispositifs de soutien des personnes) conforme au rapport d'inspection périodique du Molift Quick Raiser 205. Rendez-vous sur [www.etac.com](http://www.etac.com).



**En cas de problème sur le lève-personne présentant un danger pour la sécurité, le lève-personne doit être immédiatement mis hors service et marqué clairement comme tel. N'utilisez pas le lève-personne tant qu'il n'a pas été réparé.**

L'inspection périodique doit être réalisée au moins une fois par an ou plus fréquemment si les exigences locales le requièrent. L'inspection doit être réalisée par du personnel d'entretien autorisé par Etac. Contactez Etac à l'adresse [molift@etac.com](mailto:molift@etac.com) pour la formation et l'autorisation ou la recommandation d'un partenaire d'entretien agréé.

Lors d'une inspection périodique, l'inspecteur doit remplir le rapport d'inspection du Molift Quick Raiser 205. Les rapports doivent être conservés par la/les personne(s) responsable(s) de l'entretien du lève-personne. Si vous observez des défauts et des dommages, veuillez mettre le lève-personne hors service et l'indiquer clairement comme tel jusqu'à ce qu'il soit réparé. Après avoir réalisé l'inspection périodique, réinitialisez le témoin d'entretien, voir page 8.

FR

## Dépannage

Problème	Cause/mesure possible
La colonne de levage est instable.	Les boulons de verrouillage ne sont pas serrés comme il faut ou la colonne de levage n'est pas fixée correctement au châssis/vérifiez si la colonne est correctement placée dans le châssis et/ou resserrez les boulons.
Le lève-personne ne bouge que dans un sens (vers le haut ou vers le bas)/les pieds ne bougent que dans un sens (vers l'intérieur ou vers l'extérieur).	Panne de la commande manuelle/remplacez-la par une autre commande manuelle d'un autre lève-personne et/ou par une nouvelle commande manuelle.
	Le système électronique est en panne/contactez votre technicien local.
Le lève-personne bouge tout seul vers le haut et/ou vers le bas/les pieds bougent tout seuls.	Court-circuit entre la commande manuelle et le lève-personne/nettoyez les raccords de la commande manuelle et du châssis avec de l'alcool pour enlever la graisse et toute autre saleté.
	La commande manuelle est en panne/remplacez la commande manuelle/contactez votre technicien local.
	Les relais ou systèmes électroniques présentent un dysfonctionnement/remplacez les systèmes électroniques ou les relais/contactez votre technicien local.
Le bras de levage ne bouge pas/les pieds ne bougent pas.	Batterie à plat/chargez la batterie.
	Le bouton d'urgence est activé/tournez-le dans le sens horaire pour le réinitialiser.
	La commande manuelle est déconnectée/reconnectez-la.
	La commande manuelle est en panne/remplacez la commande manuelle/contactez votre technicien local.
	Le système électronique présente un dysfonctionnement/contactez votre technicien local.
	Le moteur est en panne/contactez votre technicien local.
	Vérifiez le point de contact entre la colonne et le châssis.

# Manuale in italiano

IT

## Sommario

Molift Quick Raiser 205 .....	150
Componenti del sistema di sollevamento	150
Informazioni su Molift Quick Raiser 205	150
Informazioni generali .....	151
Dichiarazione di conformità .....	151
Condizioni di utilizzo .....	151
Garanzia .....	151
Identificazione del prodotto .....	151
Dati tecnici .....	152
Montaggio .....	153
Batteria .....	153
Supporto gamba .....	154
Colonna di sollevamento e telaio .....	154
Braccio elevatore .....	155
Cavo di alimentazione di rete .....	155
Pulsantiera .....	156
Checklist post-installazione .....	156
Ripristino dell'indicatore di assistenza ..	156
Utilizzo di Molift Quick Raiser 205 .....	157
Prima dell'utilizzo/Verifica quotidiana...	157
Pulsantiera .....	157
Dispositivi di sicurezza .....	158
Impugnature di guida .....	158
Freni .....	158
Arresto di emergenza/ Discesa di emergenza .....	158
Elettronica .....	159
Condizioni di trasporto e di esercizio ...	159
Batteria .....	159
Indicatore batteria e di assistenza .....	159
Ricarica .....	160
Trasferimento .....	161
Utilizzo delle imbracature .....	161
Regolazione del supporto gamba .....	161
Supporto gambe alternativo con cinghie	161
Utilizzo di un braccio elevatore a 4 punti	162
Utilizzo di un braccio elevatore a 2 punti	162
Sollevamento .....	163
Trasferimento .....	163
Accessori .....	164
Accessori .....	164
Barre di sospensione e imbracature .....	164
Manutenzione .....	165
Pulizia e disinfezione .....	165
Rimessa in servizio .....	165
Riciclaggio .....	165
Ricambi .....	165
Ispezione periodica .....	165
Ambito dell'ispezione periodica .....	165
Risoluzione dei problemi .....	166

## Importante

Il presente manuale dell'utente contiene importanti istruzioni e informazioni di sicurezza relative a utilizzo del sistema di sollevamento e accessori.

Nel presente manuale, l'utente è la persona che viene sollevata.

L'assistente è la persona che aziona il sistema di sollevamento.



### Attenzione!

Questo simbolo indica un'informazione importante relativa alla sicurezza. Seguire attentamente queste istruzioni.



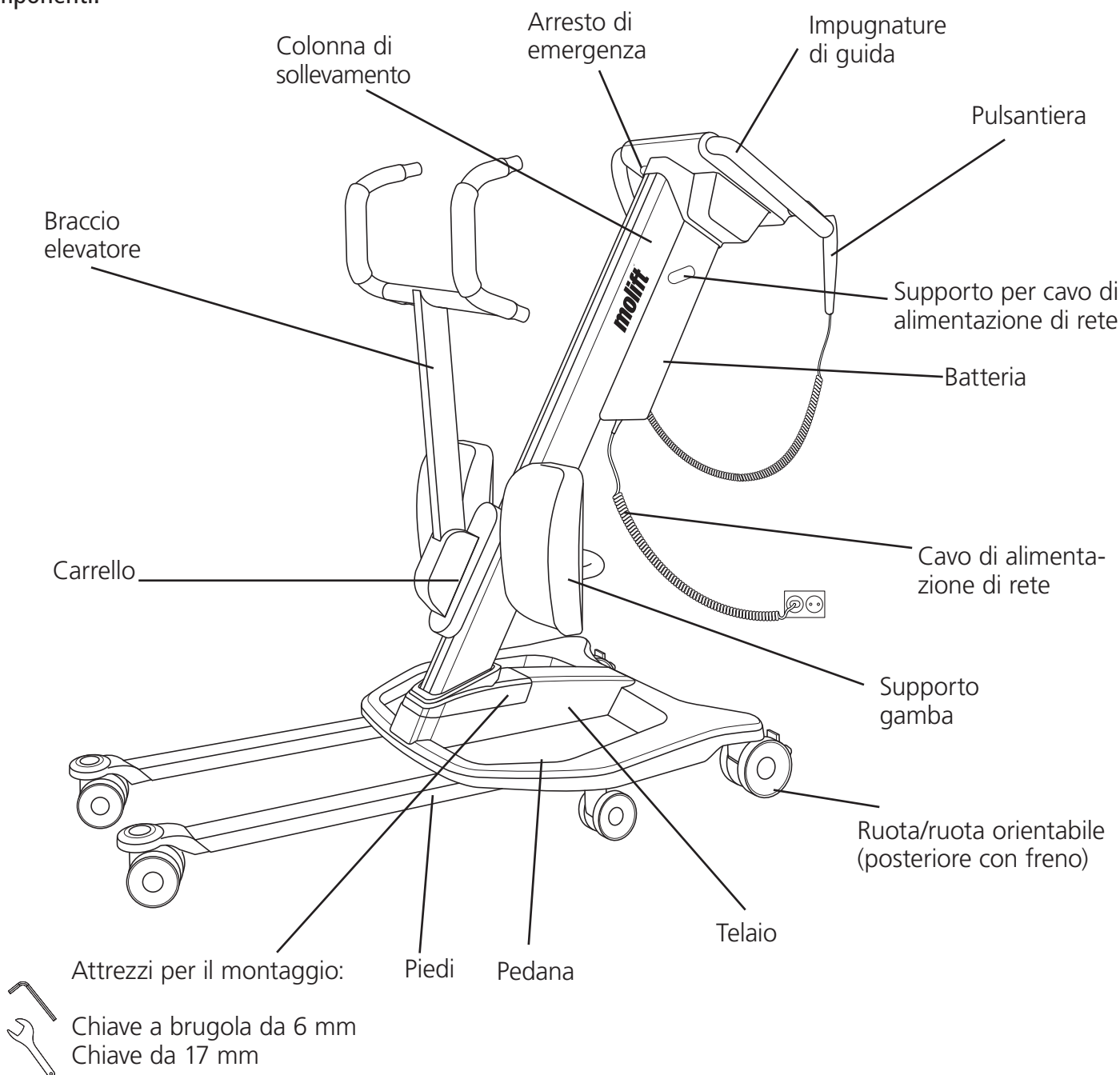
Leggere il manuale dell'utente prima dell'uso. È importante comprendere pienamente il contenuto del manuale dell'utente prima di utilizzare l'attrezzatura.

Scaricare la documentazione all'indirizzo [www.etac.com](http://www.etac.com) per essere sicuri di avere la versione più recente.

*La dichiarazione del produttore è disponibile nel manuale tecnico di Molift Quick Raiser (TM13001)*

## Molift Quick Raiser 205

## Componenti:



## Informazioni su Molift Quick Raiser 205

Il Quick Raiser 205 di Molift è un sistema portatile di sollevamento da posizione seduta a posizione verticale destinato al sollevamento e al trasferimento di un utente da/a sedia, sedia a rotelle e sanitari tramite imbracatura. Molift Quick Raiser 205 è pensato per utenti che riescono a seguire le istruzioni fornite, che hanno una buona stabilità della parte superiore del corpo e che possono sostenere il peso almeno su una gamba, ma hanno bisogno di assistenza per alzarsi. La forma del sistema di sollevamento e la geometria del movimento di alzata imitano il movimento naturale di una persona. Il sistema di sollevamento

è realizzato con materiali leggeri, è dotato di ruote orientabili e di motore elettrico ed è alimentato a batteria. Il sollevatore viene azionato mediante la pulsantiera o il pannello di controllo presente su di esso. Dispone di piedi regolabili elettricamente e ha una capacità di sollevamento di 205 kg (451 libbre). È ideale per case di cura, ma può essere utilizzato anche in ambiente domiciliare e nelle case di riposo. Il sistema di sollevamento deve essere utilizzato esclusivamente per trasferimenti su brevi distanze, come da una sedia a un letto, oppure al bagno, e non può sostituire una sedia a rotelle o attrezzature simili.

## Informazioni generali

IT

### Dichiarazione di conformità



Molift Quick Raiser 205 e i relativi accessori descritti nel presente manuale dell'utente presentano il marchio CE in conformità alla Direttiva del Consiglio UE 93/42/CEE concernente i dispositivi medici, classe 1, e sono stati testati e approvati da un organismo terzo secondo gli standard IEC 60601-1, IEC 60601-1-2 e NS-EN ISO 10535:2021.

### Condizioni di utilizzo

Il sollevamento e il trasferimento di un paziente presentano sempre determinati rischi, pertanto è consentito utilizzare l'attrezzatura e gli accessori descritti nel presente manuale dell'utente esclusivamente a personale in possesso dell'adeguata formazione.

### Modifiche e utilizzo di componenti fabbricati da altri produttori.

Si consiglia di utilizzare solamente componenti e pezzi di ricambio Etac Molift. Se vengono apportate modifiche al prodotto, la dichiarazione di conformità e la garanzia Etac perdono di validità. Etac non è responsabile di eventuali danni o incidenti che possano verificarsi quando si utilizzano componenti di altri produttori.



L'apertura del sistema di sollevamento e degli accessori per le operazioni di assistenza e riparazione è consentita esclusivamente a personale certificato. Rischio di lesioni dovute a componenti rotanti e rischio di scosse elettriche.



Il sistema di sollevamento non deve essere azionato dalla persona che viene sollevata.

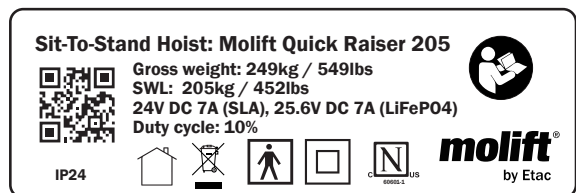
### Garanzia

Garanzia di 2 anni per difetti di fabbricazione e dei materiali dei nostri prodotti. Per consultare i termini e le condizioni, visitare il sito [www.etac.com](http://www.etac.com).

## Identificazione del prodotto

### Etichetta del prodotto/GS1-128

L'etichetta del codice a barre presenta il codice EAN, il numero di serie e la data di fabbricazione.



Parte applicata del tipo BF



Indicatore di ricarica



Marchio CE



Simbolo di doppio isolamento



Fare riferimento al manuale dell'utente



Produttore



Solo per uso in interni



Data di produzione



Non smaltire nei normali rifiuti.



Numero di catalogo



Discesa di emergenza



Numero di serie



Indicatore di assistenza



Dispositivo medico



Indicatore batteria

### Etichette di avvertenza e simboli

Simboli usati sul prodotto, descritti in maggiore dettaglio:

## Dati tecnici Quick Raiser 205

**Carico di lavoro sicuro (SWL):**

205 kg (451 libbre)

**Peso dell'unità:**

Peso totale dell'unità: 44,5 kg/98 libbre

Telaio: 17 kg/37,5 libbre

Colonna di sollevamento: 19 kg/41,9 libbre

Supporto gambe: 7,5 kg/7,3 libbre

Braccio elevatore a 4 punti: 5 kg/11 libbre

**Batteria:**

SLA 24V 2,9 Ah

LiFePO4 25,6V 2,4 Ah

**Caricatore:**Ingresso: 100-240 V CA, 50-60 Hz,  
max 0,35 A

Uscita: 29,4 V CC, 0,5 A

**Tempo di ricarica della batteria:**

5 ore

**Prestazioni nominali:**

100 sollevamenti a 75 kg e 500 mm

**Velocità di sollevamento:**35 mm/secondo (1,4 pollici/secondo)  
con un carico di 75 kg (165 libbre)**Classe di protezione:**

*IP24 (Sistema di sollevamento completo).  
L'oggetto, la sfera della sonda di Ø 12,5 mm non deve penetrare completamente.  
Spruzzi d'acqua contro l'involucro da qualsiasi direzione non producono effetti dannosi.*

**Pulsante di azionamento:**

Pulsanti sulla pulsantiera: &lt; 5 N

Pulsanti sul telecomando: &lt; 5 N

**Materiale:**

alluminio, plastica, acciaio

**Motore**

Motore di elevazione: 24 V CC

Motore di apertura dei piedi: 24 V CC

**Diametro di rotazione:**

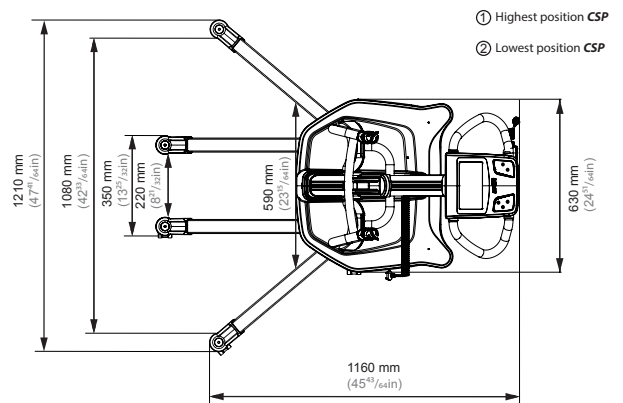
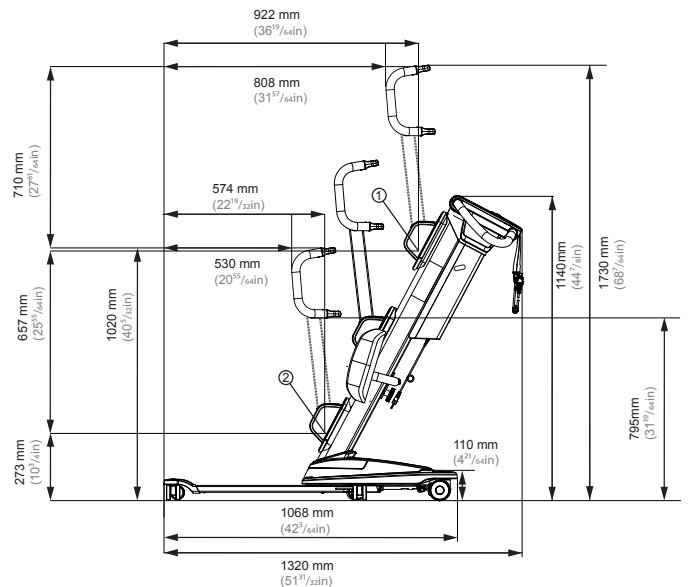
1.144 mm (57 pollici)

**Durata prevista:**

Il sistema di sollevamento ha una durata prevista di 30.000 cicli o 10 anni.

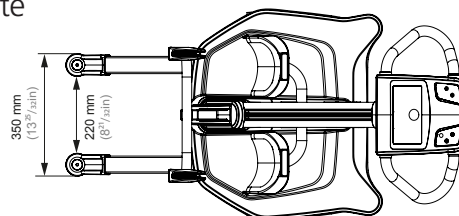
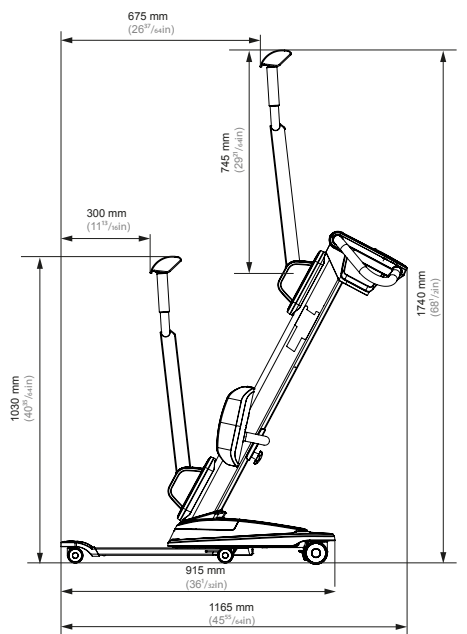
**Componenti applicati:**

- Impugnature del braccio della piattaforma oscillante
- Imbracatura
- Poggiagambe



① Highest position CSP

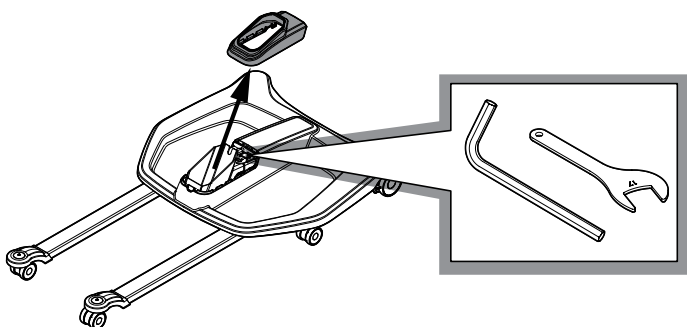
② Lowest position CSP

**QuickRaiser 205 FL (Fixed Legs):**

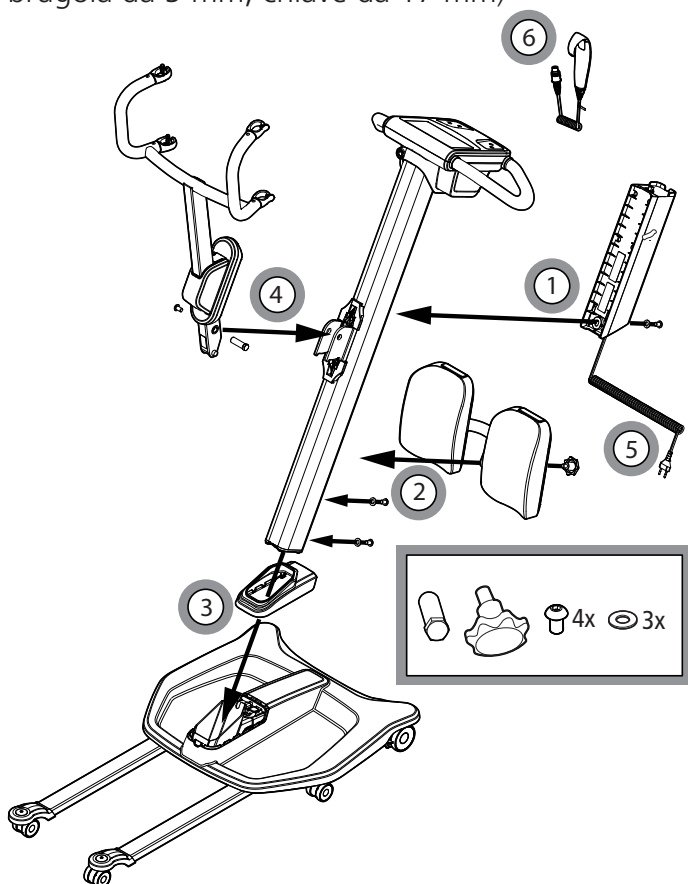
## Istruzioni di montaggio

IT

## Prima del montaggio



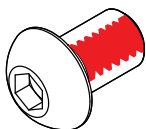
Individuare gli attrezzi di montaggio (chiave a brugola da 5 mm, chiave da 17 mm)



1. Batteria
2. Supporto gambe
3. Colonna nel telaio
4. Braccio elevatore
5. Cavo di alimentazione di rete
6. Pulsantiera

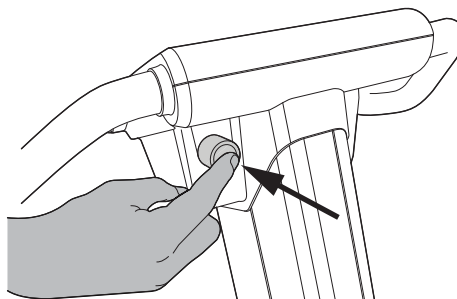


Il sistema di sollevamento deve essere montato solo da personale in possesso di adeguata formazione

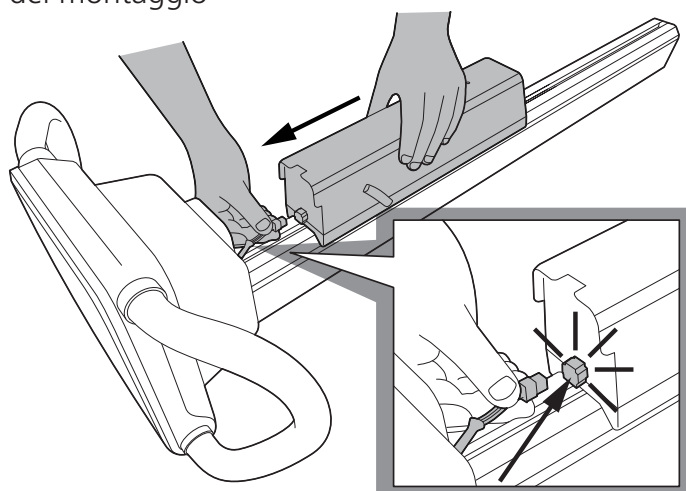


Tutte le viti con frenafili preapplicato devono essere utilizzate una sola volta. Ricambio art. n° 2920075.

## 1 - Batteria



Premere il pulsante di arresto di emergenza prima del montaggio

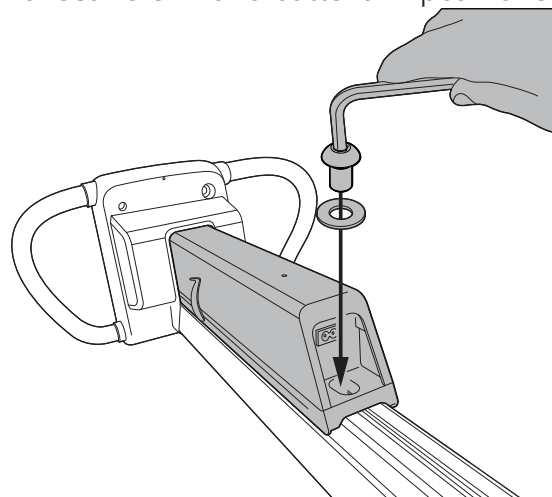


Posizionare la colonna su una superficie orizzontale.

Assicurarsi che l'arresto di emergenza sia premuto.

Collegare il cavo tra il pannello di controllo e il vano batteria.

Far scorrere il vano batteria in posizione.

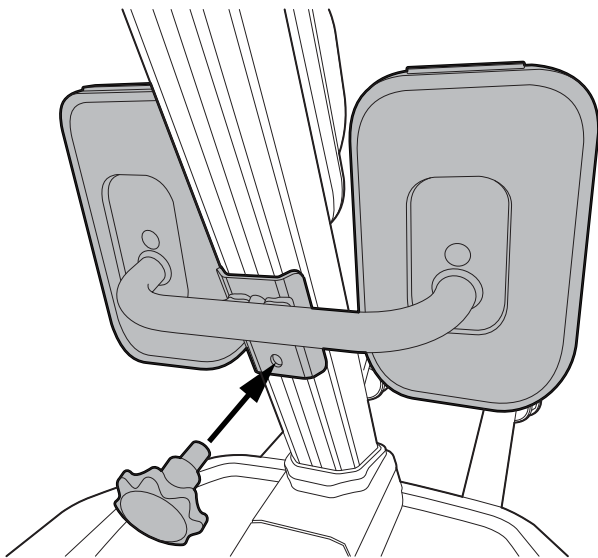


Usare la chiave a brugola e serrare la vite in senso orario. N.B.: accertarsi di utilizzare la rondella.

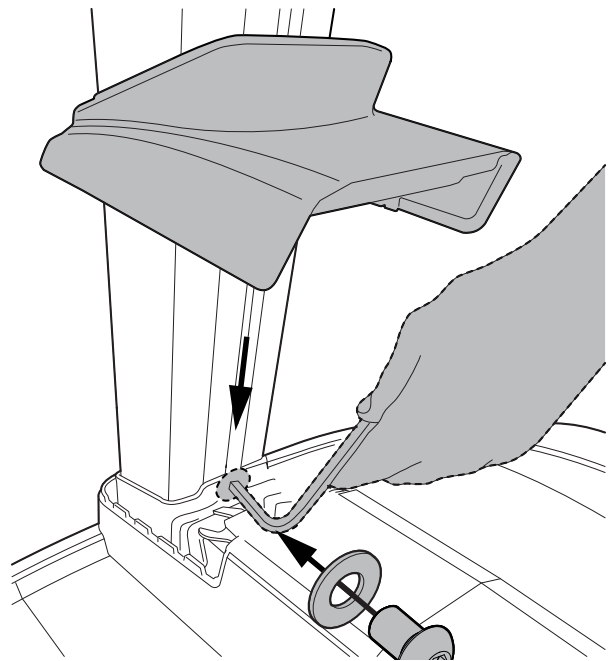


Accertarsi che la batteria sia ben fissata prima di montare la colonna sul telaio

## 2 - Supporto gambe

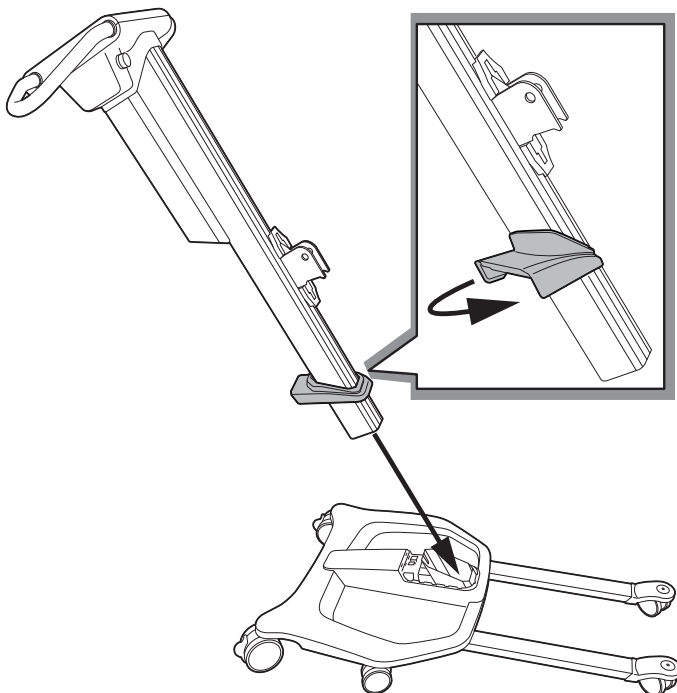


Montare la staffa del supporto gambe.

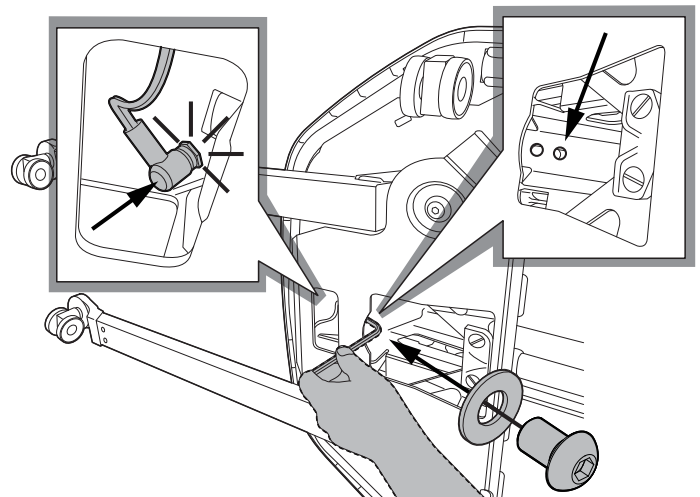


Montare la vite con la rondella sulla colonna. Far scorrere la vite verso la parte inferiore del telaio e serrarla.

## 3 - Colonna di sollevamento e telaio



Installare il coperchio sulla colonna di sollevamento. Ruotare il coperchio di lato in modo che sia fissato alla colonna. Inserire la colonna di sollevamento nel telaio.

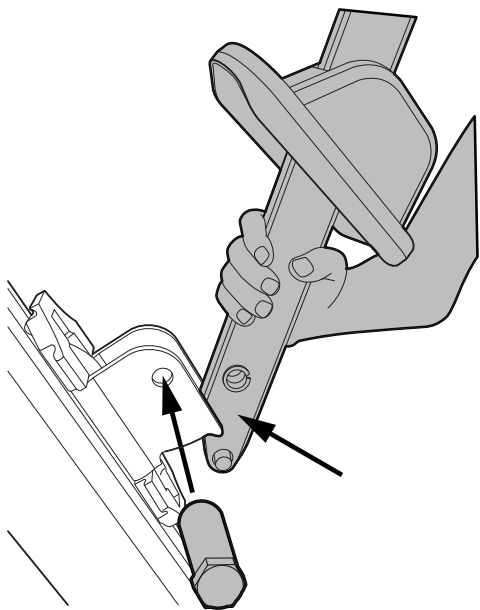


Inclinare il sistema di sollevamento su un lato. Inserire la vite e la rondella nel foro superiore e serrarla. Collegare il cavo tra la colonna e il telaio. (NB! Il cavo NON è compatibile con la versione Molift Quick Raiser 205 FL)

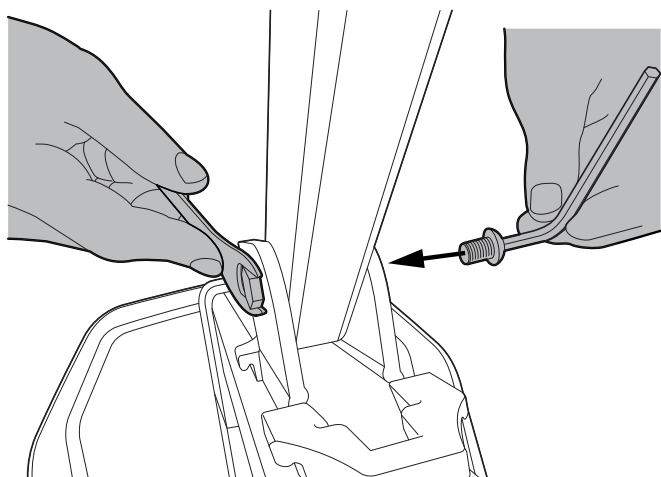


Le viti bloccano la colonna evitando che possa essere spostata verso l'alto. Non utilizzare il sistema di sollevamento se entrambe le viti non sono ben strette.

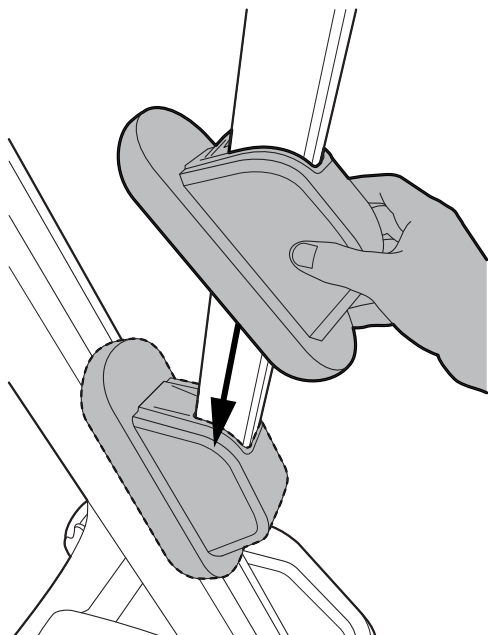
## 4 - Braccio elevatore



Installare il coperchio sul braccio elevatore. Posizionare il braccio elevatore nel carrello e inserire il bullone.

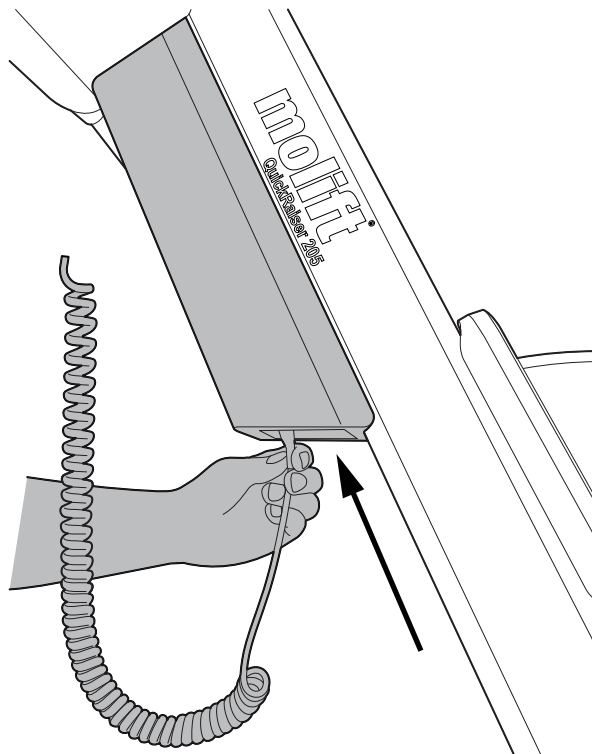


Inserire il bullone e serrare la vite usando una chiave da 17 mm e una chiave a brugola da 6 mm. Assicurarsi che il braccio elevatore sia ben fissato al carrello sulla colonna.

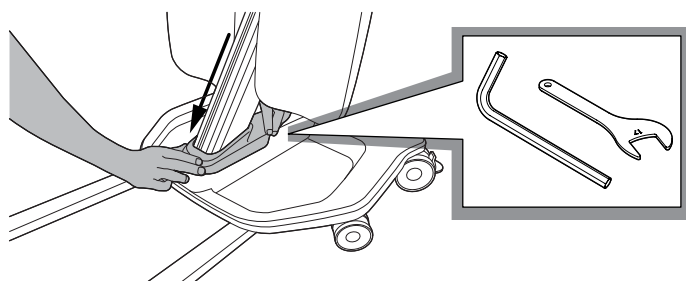


Installare il coperchio sul carrello.

## 5 - Cavo di alimentazione di rete

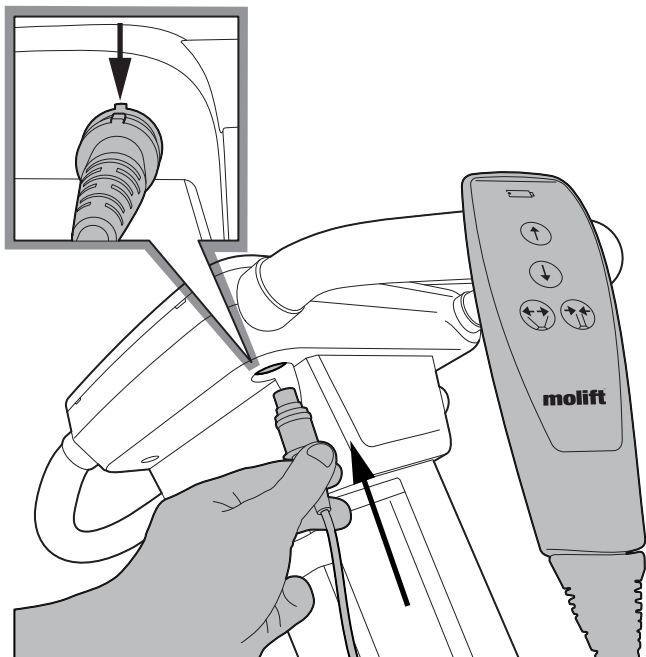


Collegare il cavo di alimentazione di rete alla parte inferiore del portabatterie.



Installare il coperchio inferiore sul telaio. Ricordarsi di riporre gli strumenti al proprio posto.

## 6 - Pulsantiera



Collegare la pulsantiera al pannello di controllo.

- Verificare che il sistema di sollevamento non abbia danni o altri guasti visibili.
- Effettuare un sollevamento con carico da 50-100 kg  
NB! il sistema di sollevamento non è operativo durante la ricarica.

## Ripristino dell'indicatore di assistenza

Nel caso in cui il LED di assistenza sia giallo, contattare il partner di assistenza Molift per le misure necessarie da implementare.

L'indicatore di assistenza diventerà di nuovo giallo dopo 12 mesi, quando sarà necessario effettuare l'ispezione periodica.



**Non iniziare a utilizzare il sistema di sollevamento prima di aver completato la verifica secondo la lista di controllo post-montaggio.**

## Lista di controllo post-montaggio

Prima dell'utilizzo, verificare con la presente lista di controllo che il sistema di sollevamento sia montato correttamente e che funzioni in modo sicuro.



**Dopo il montaggio, ripristinare l'arresto di emergenza ruotandolo in senso orario. A questo punto, la spia di servizio dovrebbe emettere una luce gialla. Dopo aver completato questa lista di controllo, ripristinare l'indicatore di assistenza come descritto nelle istruzioni di montaggio.**

- Assicurarsi che il supporto gambe e il braccio elevatore siano correttamente fissati e che sul sistema di sollevamento non ci siano parti allentate.
- Accertarsi che la colonna di sollevamento sia fissata in modo corretto al telaio e che entrambe le viti siano serrate.
- Collegare il sistema di sollevamento alla presa di corrente per accertarsi che il caricabatterie integrato funzioni. Sostituire la batteria se necessario.

# Utilizzo di Molift Quick Raiser 205

IT

## Precauzioni generali di sicurezza

Utilizzare esclusivamente accessori e imbracature adattati all'utente, al tipo di disabilità, alla taglia, al peso e al tipo di trasferimento.

## Intervallo lavoro-pausa/Ciclo di lavoro

Molift Quick Raiser 205 non deve essere tenuto in funzione per più di 2 minuti di seguito (al massimo del carico) e deve essere tenuto a riposo per 18 minuti. Ciclo di lavoro 10% (intermittenza a norma UNI EN ISO 10535).

## Carico di lavoro sicuro

Il sistema di sollevamento è provvisto della marcatura Carico di lavoro sicuro (SWL).



Se il sistema di sollevamento, la barra di sospensione e l'unità di supporto del corpo hanno un diverso carico di lavoro sicuro (SWL), impiegare il carico più basso.



I sistemi di sollevamento Molift devono essere utilizzati solamente per il sollevamento di persone. Non utilizzarli per sollevare o spostare oggetti di qualsiasi tipo.

## Prima dell'utilizzo/Verifica quotidiana

Ispezione da effettuarsi ogni giorno o prima dell'utilizzo:

- Verificare che il sistema di sollevamento non presenti danni, difetti o deformazioni visibili.
- Accertarsi che collegamento del braccio elevatore, supporto gambe, vano batteria e componenti rimovibili siano collegati e fissati in modo corretto.
- Provare il pulsante di arresto di emergenza.
- Verificare livello batteria e indicatore di assistenza
- Accertarsi che la cinghia dell'imbracatura non presenti danni visibili o sfilacciature.

- Accertarsi che le ruote girino liberamente e che il sistema di sollevamento sia facile da manovrare.
- Effettuare una prova di funzionamento sulle funzioni del sistema di sollevamento e accertarsi che non produca rumori anomali.



In caso vengano riscontrati danni o difetti, non utilizzare il sistema di sollevamento e designarlo come "fuori servizio"

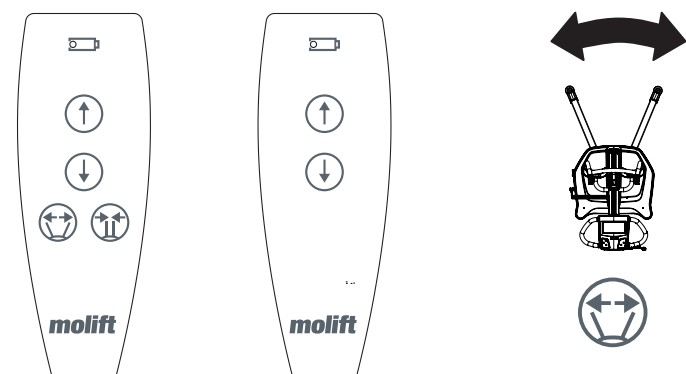
## Pulsantiera

La pulsantiera è dotata di 4 pulsanti per sollevare e abbassare il braccio elevatore e per spostare verso l'interno e verso l'esterno i piedi del sistema.

La pulsantiera presenta una spia di indicazione che si illumina quando il livello della batteria è basso e il sistema di sollevamento necessita di essere ricaricato

Pulsantiera a 4 pulsanti: Codice articolo 2910010

Pulsantiera a 2 pulsanti: Codice articolo 2910011

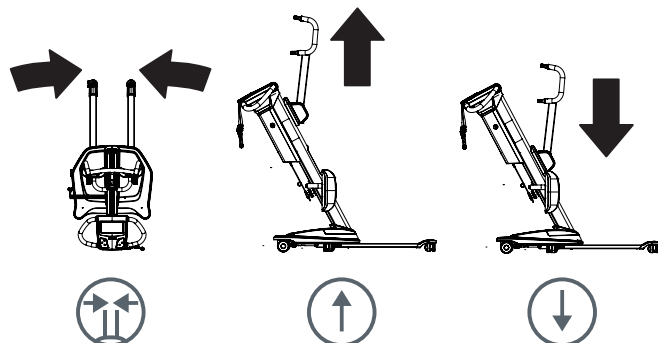


## Sollevamento/abbassamento del braccio elevatore

N.B.: nella posizione più elevata il sistema di sollevamento registra la massima instabilità.

## Piedi - Dentro/fuori

N.B.: se i piedi sono allargati, la stabilità è maggiore ed è più facile accedere alla sedia o ai servizi igienici.



## Dispositivi di sicurezza

Molift Quick Raiser 205 è dotato di diversi dispositivi di sicurezza per evitare lesioni al personale o danni alle attrezzature in caso di guasto o utilizzo improprio.

Il sistema di sollevamento ha un sensore di sovraccarico che ne impedisce il funzionamento se viene superato il carico di lavoro sicuro (SWL).

La barra di sospensione è incernierata per impedire che il braccio e la barra di sospensione possano schiacciare l'utente.

## Impugnature di guida

Utilizzare le impugnature di guida per spostare il sistema di sollevamento.

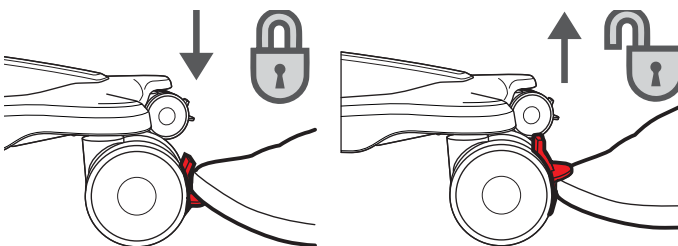


**Non spingere o tirare l'utente, la colonna di sollevamento o il braccio elevatore, perché ciò potrebbe causare problemi di stabilità e portare il sistema di sollevamento a ribaltarsi.**

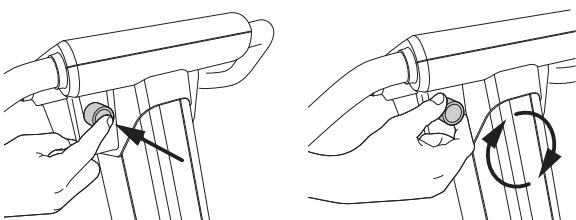
Il sistema di sollevamento deve essere utilizzato esclusivamente per lo spostamento su brevi distanze e non può sostituire una sedia a rotelle o attrezzature simili.

## Freni

Le ruote/ruote orientabili posteriori sono dotate di freni a retropedale. Per bloccare il freno, premerlo con il piede. Spingere verso l'alto o agire con il piede sulla parte superiore del freno per sbloccarlo.

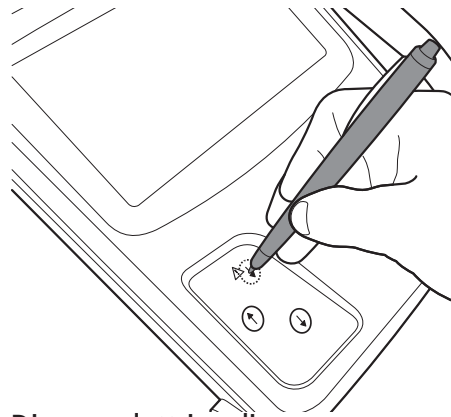


## Arresto di emergenza/Discesa di emergenza



### Arresto di emergenza

Quando premuto, il pulsante di arresto di emergenza toglie l'alimentazione. Ruotare in senso orario per ripristinare l'alimentazione.

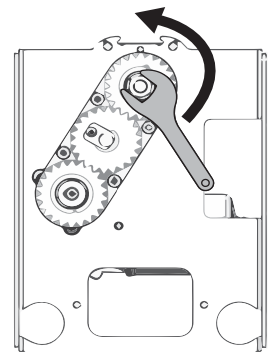
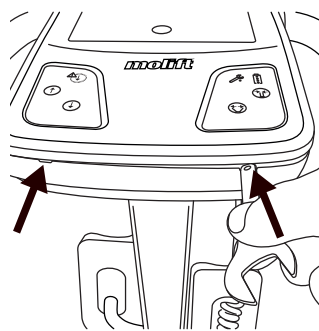


### Discesa elettrica di emergenza

Con una penna o un oggetto appuntito tenere premuto il pulsante per la discesa elettrica di emergenza per abbassare la barra di sospensione. Questa funzione non è operativa quando è attivato il pulsante di emergenza.



**Se gli altri pulsanti non funzionano, utilizzare unicamente il pulsante per la discesa elettrica di emergenza.**



### Discesa manuale di emergenza

Servirsi della chiave ubicata sotto il coperchio inferiore per sollevare il coperchio del pannello di controllo in due punti.



**Premere il pulsante di arresto di emergenza prima di rimuovere la protezione. I componenti rotanti rappresentano un potenziale pericolo di schiacciamento!**

Utilizzando la chiave da 17 mm, ruotare in senso antiorario la vite a sfera finché l'utente non viene abbassato in sicurezza. Il sistema di discesa manuale di emergenza dovrebbe essere utilizzato solo in caso di mancato funzionamento della discesa elettrica di emergenza.



**Se si effettua una discesa manuale di emergenza, affiggere un cartello "Fuori servizio" sul sistema di sollevamento e richiedere assistenza tecnica!**

# Electronica

IT

## Condizioni di trasporto e di esercizio

### Trasporto e conservazione

In caso di conservazione prolungata, si consiglia di attivare (premere) il pulsante di arresto di emergenza. Il sistema di sollevamento può essere conservato e trasportato a temperature comprese tra -25 °C e 70 °C.

### Esercizio

Il sistema di sollevamento è ideato per essere impiegato a normali temperature ambiente (comprese tra +5 e +40 °C).

Pressione aria: 70 - 106 kPa

Umidità relativa: 15 - 93 %

A seguito di trasporto o conservazione a temperature diverse da quelle indicate, lasciare il sistema di sollevamento in un ambiente con una temperatura adatta fino a raggiungere una temperatura idonea per il funzionamento.



Le apparecchiature elettromedicali richiedono speciali precauzioni in relazione alla compatibilità elettromagnetica (EMC). Le attrezzature di comunicazione radio portatili o mobili possono interferire con le apparecchiature elettromedicali e devono essere tenute a una distanza minima di 25 cm (10 pollici) dall'apparato elettronico del sistema di sollevamento.

## Batteria



Molift Quick Raiser 205 è disponibile con una batteria SLA da 24 V o una batteria LiFePO4 da 25,6 V, entrambe dotate di caricatore integrato. La batteria SLA ha una durata utile prevista di circa 500 cicli di ricarica.

La batteria LiFePO4 ha una durata utile prevista di circa 2.000 cicli di ricarica.



Smaltire le batterie come rifiuti speciali secondo i regolamenti e le disposizioni locali. Non smaltire nei normali rifiuti.






## Indicatore batteria e di assistenza

	Simbolo della chiave/ Indicatore di assistenza
	Simbolo della batteria/ Indicatore batteria

Il sistema elettrico è dotato di una funzione di risparmio energetico che lo spegne dopo cinque minuti dall'ultimo utilizzo. Tutte le spie si spengono. Il sistema si attiva alla pressione di uno dei pulsanti di funzionamento.

### Indicatore della batteria sulla pulsantiera

Quando l'indicatore della batteria multilivello è giallo, il sistema di sollevamento ha carica sufficiente per un ciclo di sollevamento completo a pieno carico. Quando l'indicatore della batteria lampeggia in giallo, è possibile solo abbassare il braccio elevatore.

Indicatore batteria		Livello della batteria
	Verde	80% o superiore
	Verde	80 - 60%
	Verde	60 - 40%
	Verde	40 - 20%
	Giallo o giallo lampeggiante	20% o inferiore (ricaricare il sistema di sollevamento)

## Indicatore di assistenza

L'apparato elettronico del sistema di sollevamento registra il peso sollevato e il numero di sollevamenti. Dopo un determinato periodo di esercizio, viene emesso un segnale per indicare che è necessario un intervento di assistenza.

### Indicatore di assistenza (a partire dal 01.01.2018)

<i>Spia di assistenza</i>	<i>Modalità</i>
Nessuna luce	Non occorre assistenza
Verde lampeggiante	Richiedere assistenza
Giallo	Occorre l'ispezione periodica
Rossa	Eeguire intervento di assistenza

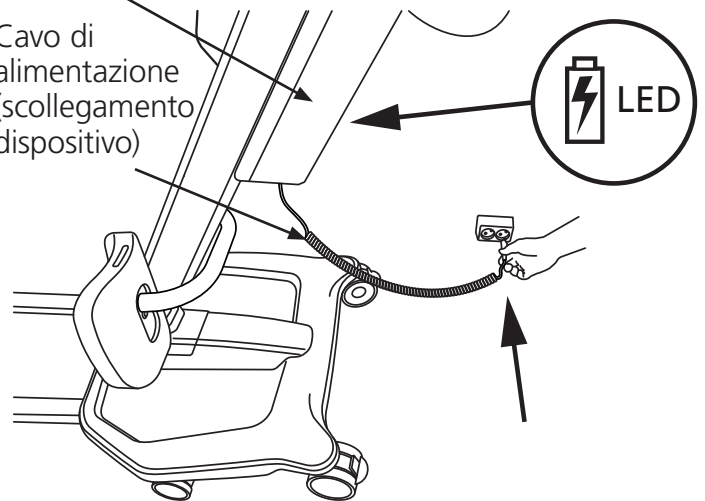
### Indicatore di assistenza (fino al 31.12.2017)

<i>Spia di assistenza</i>	<i>Modalità</i>
Nessuna luce	Non occorre assistenza
Giallo	Richiedere assistenza
Giallo lampeggiante	Occorre l'ispezione periodica
Rossa	Eeguire intervento di assistenza

## Ricarica

Caricatore di batteria integrato

Cavo di alimentazione (scollegamento dispositivo)



Il sistema di sollevamento dispone di un caricatore integrato. Arrestare il sistema di sollevamento e connetterlo a una presa a muro per ricaricare la batteria. Durante la ricarica, le spie LED luminose sulla batteria sono rosse. Quando il sistema di sollevamento è stato ricaricato, le spie LED sulla batteria sono verdi con luce fissa. Durante la ricarica, le spie LED sul pannello di controllo lampeggiano ogni 10 secondi.



Non posizionare o installare il sistema di sollevamento in modo da rendere difficile scollegare il cavo di alimentazione



Non ricaricare il sistema di sollevamento in una stanza da bagno o in altro ambiente con superfici umide!



Rimuovere il cavo di alimentazione dalla presa a parete prima di muovere il sistema di sollevamento

## Trasferimento

IT

Programmare con anticipo l'operazione di sollevamento per garantire che sia quanto più sicura e fluida possibile. Operare secondo principi di ergonomia. Valutare i rischi e prendere appunti. L'assistente è responsabile della sicurezza dell'utente.

### Utilizzo delle imbracature

È importante che l'imbracatura sia stata testata con lo specifico utente e per la situazione di sollevamento prevista.



Leggere il manuale dell'utente relativo all'imbracatura prima dell'uso.

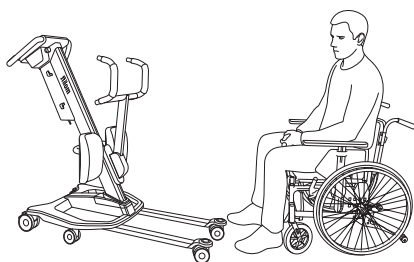


Non utilizzare imbracature danneggiate o usurate.

### Imbracature di altri produttori

Usare solo imbracature Molift. Etac non è responsabile di eventuali danni o incidenti che possano verificarsi quando si utilizzano imbracature di altri produttori.

### Regolazione del supporto gambe

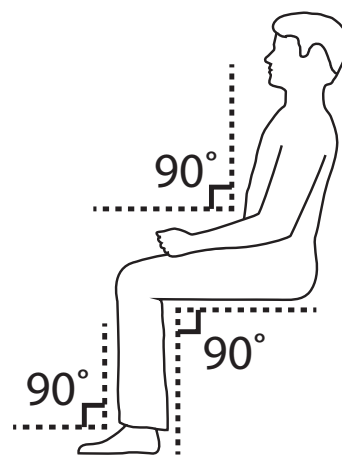
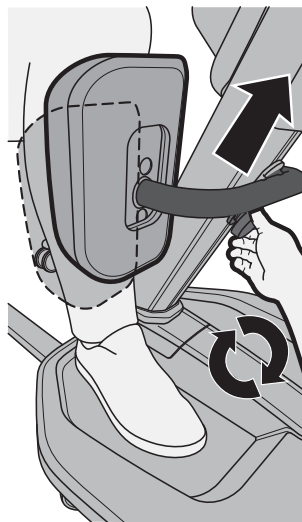


Portare Quick Raiser 205 davanti all'utente. Collocare un piede sulla pedana. Se necessario, aiutare l'utente a posizionare i piedi in modo corretto. Bloccare le ruote del sistema di sollevamento prima di sollevare l'utente. L'angolo ottimale delle articolazioni dell'utente, prima del sollevamento, è di 90 gradi.

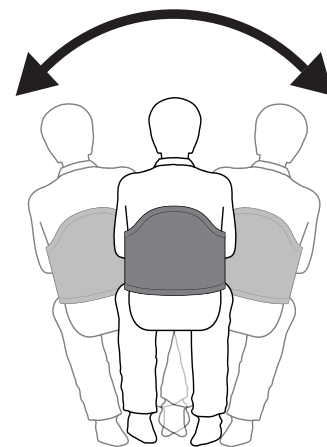


Accertarsi che l'altezza del supporto gambe sia regolata in modo da adeguarsi all'anatomia del singolo paziente. La parte superiore dei cuscini deve trovarsi 2 cm sotto le ginocchia degli utenti

Servirsi della manopola per alzare o abbassare il supporto gambe secondo necessità.

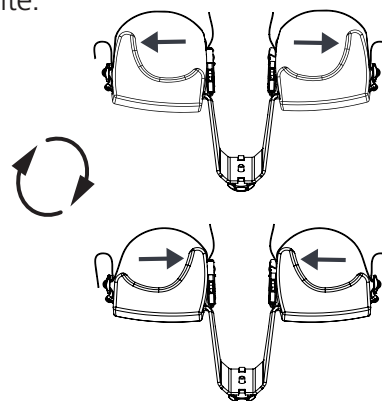


Assicurarsi che l'utente non sporga in avanti o non ondeggi lateralmente prima e dopo il sollevamento o l'abbassamento.

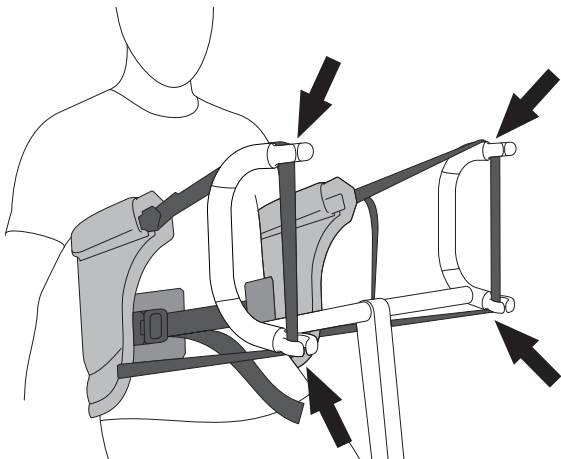


### Supporto gambe alternativo con cinghie

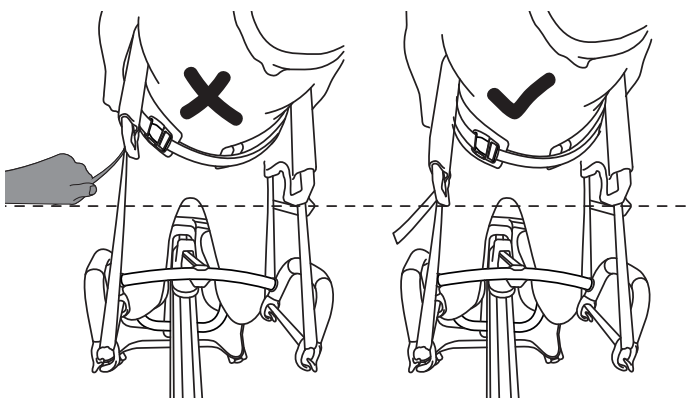
Il supporto gambe alternativo con cinghie può essere rimosso e ruotato di 180 gradi per aumentare il supporto sia all'interno che all'esterno delle gambe dell'utente.



### Utilizzo di una barra di sospensione a 4 punti di fissaggio



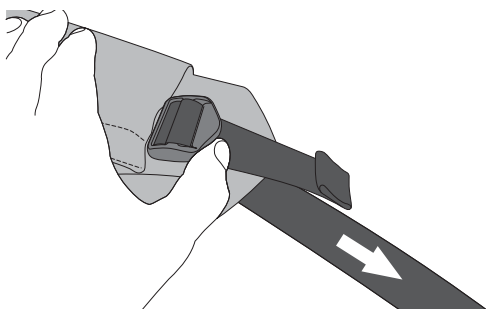
Allacciare l'imbracatura al braccio elevatore inserendo la cinghia in tutti e 4 i ganci.



Tirare la cinghia allentata per regolare la lunghezza delle cinghie. Accertarsi che le cinghie si trovino a pari lunghezza su entrambi i lati.

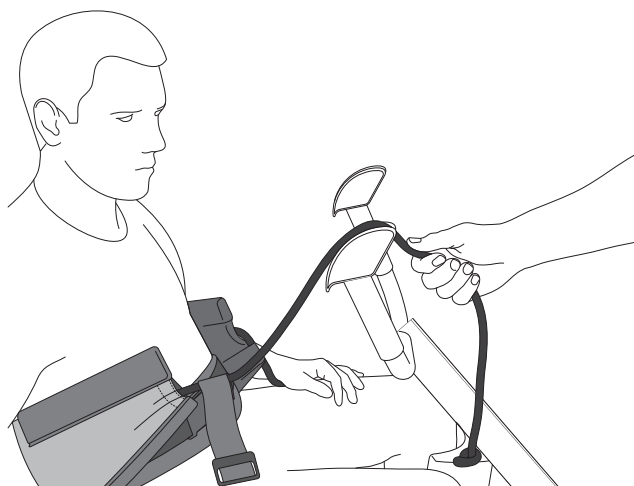
Il peso del paziente assicura che la cinghia si blocchi nel braccio elevatore. L'utente deve inclinarsi leggermente all'indietro durante il sollevamento e, se possibile, afferrare le impugnature.

### Rimozione dell'imbracatura



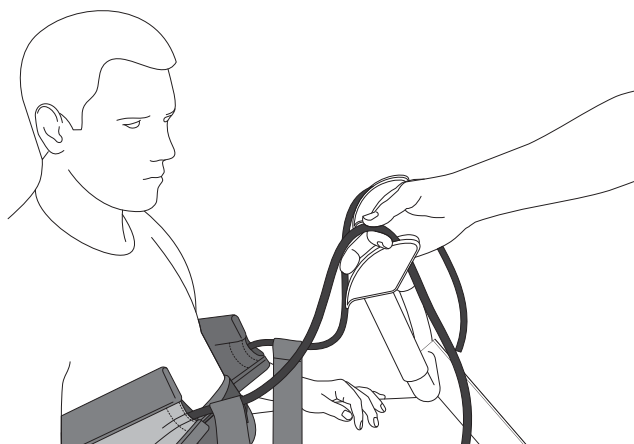
Allentare nuovamente le cinghie inclinando la fibbia ed estraendo la cinghia.

### Utilizzo di una barra di sospensione a 2 punti di fissaggio



Sul braccio di sospensione a 2 punti di fissaggio le funi vengono allacciate al braccio elevatore stringendole bene ai blocchi e facendole passare dall'alto.

### Rimozione dell'imbracatura



Rilasciare la fascia facendo scorrere le dita lungo la fune e allontanandosi dal paziente.

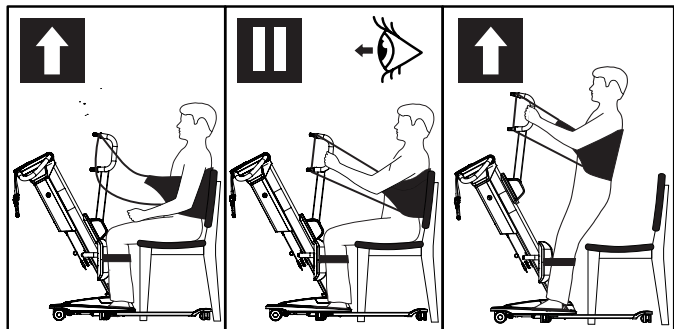


RgoSling Active può essere utilizzato solo con la barra di sospensione a 4 punti di fissaggio. RgoSling Stand Up può essere utilizzato solo con la barra di sospensione a 2 punti di fissaggio.

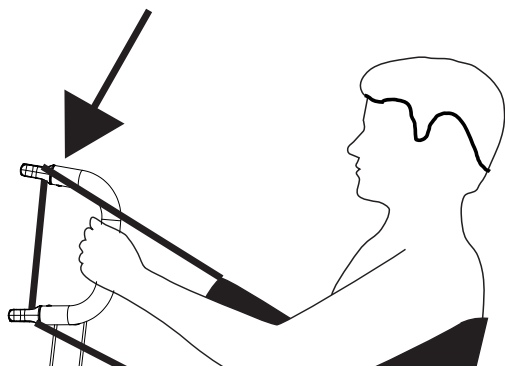
## Sollevamento/abbassamento

Durante lo spostamento dell'utente, rimanere a lato della persona che si sta sollevando. Accertarsi che braccia e gambe non ostacolino la sedia, il letto ecc. Mantenere il contatto visivo con l'utente per trasmettere sicurezza.

Se possibile: estendere la larghezza della base a ruote prima di iniziare il sollevamento utilizzando il comando sulla pulsantiera che regola la larghezza della base.



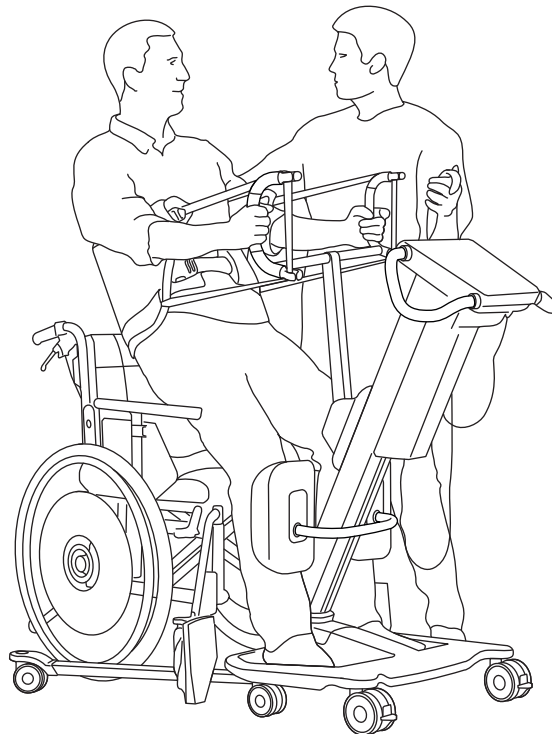
1. Verificare che l'imbracatura sia ben allacciata all'utente e che i passanti siano correttamente agganciati ai ganci della barra di sospensione.
2. Assicurarsi che l'utente abbia entrambi i piedi ben posizionati sulla pedana del sistema di sollevamento.
3. Tendere le cinghie dell'imbracatura senza sollevare l'utente. Assicurarsi che entrambi i passanti dell'imbracatura siano correttamente fissati per evitare che l'utente possa scivolare o cadere.
4. Accertarsi che la fibbia sia ben serrata
5. Posizionare l'utente in posizione eretta, quindi se necessario stringere e regolare l'imbracatura.



Assicurarsi che le mani dell'utente siano posizionate correttamente per evitare che le cinghie di sollevamento possano schiacciare mani e dita.

## Trasferimento

Sollevare con attenzione il paziente fino a quando i glutei hanno abbandonato il sedile e stringere la cinghia. Sbloccare le ruote del sistema di sollevamento e trasferire il paziente.



Prestare attenzione a non urtare mobili, pareti, porte ecc. durante il trasporto.



**Non usare il sistema di sollevamento per sollevare o spostare utenti su superfici in pendenza.**

Evitare tappeti a pelo lungo, bordi alti, superfici irregolari o altri ostacoli che potrebbero bloccare le ruote orientabili. Se si forza il passaggio su tali ostacoli, il sistema di sollevamento può perdere stabilità, rischiando di rovesciarsi.

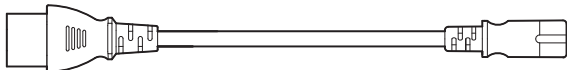
Il sistema di sollevamento deve essere utilizzato solo per spostamenti a breve distanza. Non è un sostituto di sedie a rotelle o attrezzature simili.

N.B.: quando l'utente viene alzato o abbassato le ruote devono essere sempre bloccate.

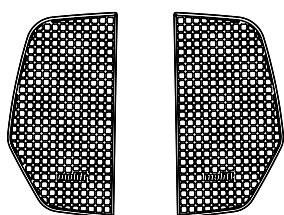
Attrezzatura e accessori opzionali (raccomandati)  
per Molift Quick Raiser 205

Accessori

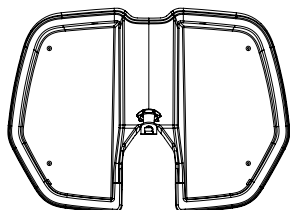
Prolunga per cavo di alimentazione  
Codice articolo: 2920117



Set di inserti per pedana  
Codice articolo: 2920151



Pedana regolabile  
Codice articolo: 2910065



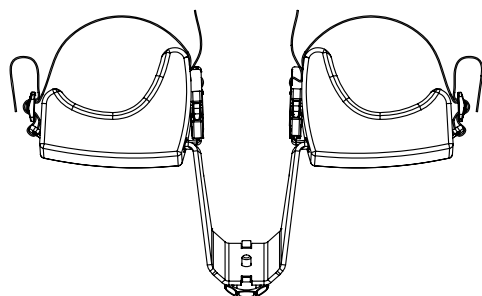
Supporto gambe alternativo con cinghie:

Kit completo con staffa e cuscini grandi  
Codice articolo: 2910056

Set di cuscini grandi  
Codice articolo: 2910077

Kit completo con staffa e cuscini piccoli  
Codice articolo: 2910059

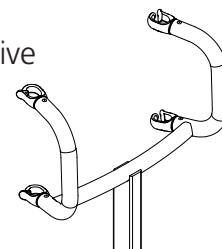
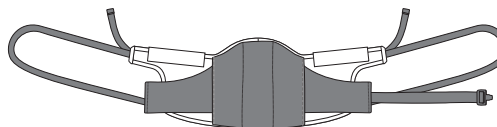
Set di cuscini piccoli  
Codice articolo: 2910076



Bracci elevatori e imbracature

Barra di sospensione a 4 punti di fissaggio:

Braccio sollevatore Quick Raiser Active  
Codice articolo: 2910060

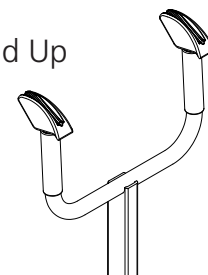
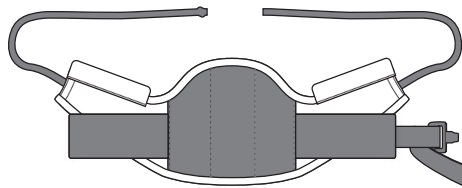


Rgosling Active

Codice articolo: 1720910	Misura XS
Codice articolo: 1720920	Misura S
Codice articolo: 1720930	Misura M
Codice articolo: 1720940	Misura L
Codice articolo: 1720950	Misura XL

Barra di sospensione a 2 punti di fissaggio:

Braccio sollevatore Quick Raiser Stand Up  
Codice articolo: 2910061



Rgosling Stand Up

Codice articolo: 1720710	Misura XS
Codice articolo: 1720720	Misura S
Codice articolo: 1720730	Misura M
Codice articolo: 1720740	Misura L
Codice articolo: 1720750	Misura XL

Rgosling Stand Up imbottito

Codice articolo: 1720810	Misura XS
Codice articolo: 1720820	Misura S
Codice articolo: 1720830	Misura M
Codice articolo: 1720840	Misura L
Codice articolo: 1720850	Misura XL

## Manutenzione

IT

### Pulizia e disinfezione

Effettuare regolarmente la pulizia. Pulire le superfici con un panno umido utilizzando un apposito detergente con pH neutro. Non utilizzare solventi o detersivi aggressivi, che potrebbero danneggiare le superfici del sistema di sollevamento. Per la disinfezione, quando necessario, utilizzando alcool isopropilico. Evitare l'impiego di prodotti di pulizia abrasivi.

- Rimuovere la protezione del braccio elevatore per pulire la superficie inferiore
- Se necessario, rimuovere l'imbottitura per le ginocchia e pulirla con acqua corrente
- Rimuovere capelli e pelucchi dalle ruote e accertarsi che ruotino liberamente.

Pulire i contatti e la pulsantiera con alcool isopropilico per rimuovere grasso e sporizia secondo necessità. Verificare il funzionamento dell'arresto di emergenza dopo la pulizia.

Non esporre il sistema di sollevamento ad acqua corrente.



**Accertarsi di non danneggiare o rimuovere le etichette durante la pulizia.**

### Rimessa in servizio

Seguire la procedura di pulizia e montaggio, completare l'ispezione periodica e usare la lista di controllo post-montaggio per rimettere in servizio il sistema di sollevamento.

### Riciclaggio

Fare riferimento alle "Istruzioni sul riciclaggio" (Recycling instructions) per un corretto smaltimento del prodotto. Consultare il sito [www.etac.com](http://www.etac.com).

### Ricambi

Un elenco dei ricambi è disponibile su richiesta.

## Ispezione periodica

### Finalità dell'ispezione periodica

L'ispezione periodica è un esame visivo (in particolare della struttura di sostegno del carico del sistema di sollevamento e del meccanismo di sollevamento, compresi attacchi, freni, comandi, dispositivi di sicurezza e dispositivi di sostegno delle persone) in base al Rapporto di ispezione periodica di Molift Quick Raiser 205.

Consultare il sito [www.etac.com](http://www.etac.com).



**In caso di problemi che potrebbero mettere a rischio la sicurezza delle persone, il sistema di sollevamento deve essere messo immediatamente fuori servizio e contrassegnato come "guasto". Non utilizzare il sistema di sollevamento finché non è stato riparato.**

all'indirizzo [molift@etac.com](mailto:molift@etac.com) per informazioni sulla formazione e sulle autorizzazioni oppure per conoscere i partner di assistenza autorizzati.

Durante l'esecuzione dell'ispezione periodica, il manutentore deve compilare il rapporto per Quick Raiser 205 di Molift. I rapporti devono essere conservati dalla persona o dalle persone responsabili della manutenzione del sistema di sollevamento. Se l'ispezione rileva difetti e danni, il sistema di sollevamento deve essere messo immediatamente fuori servizio e designato chiaramente con "fuori servizio" fino alla riparazione. Dopo aver eseguito l'ispezione periodica, ripristinare l'indicatore di assistenza (vedere pagina 8)

L'ispezione periodica deve essere effettuata almeno una volta all'anno o con maggiore frequenza se richiesto dalle disposizioni locali. L'ispezione deve essere eseguita da personale di assistenza autorizzato da Etac. Contattare Etac

## Risoluzione dei problemi

Sintomo	Possibile causa/Intervento
La colonna di sollevamento presenta gioco	I bulloni di blocco non sono fissati in modo corretto o la colonna di sollevamento non si trova nella giusta posizione sul telaio / controllare che la colonna sia posizionata in modo corretto sul telaio e/o stringere i bulloni
Il sistema di sollevamento si muove solo in una direzione (su o giù) / i piedi si muovono solo in un verso (dentro o fuori)	La pulsantiera è guasta / sostituirla con una nuova pulsantiera e/o con la pulsantiera di un altro sistema di sollevamento
	Gli apparati elettronici sono guasti / contattare il rivenditore locale per assistenza
Il sistema di sollevamento si muove verso l'alto e/o il basso da solo / i piedi si muovono da soli	Cortocircuito tra la pulsantiera e il sistema di sollevamento / pulire i connettori della pulsantiera e del telaio con alcol per rimuovere grasso e sporco
	La pulsantiera è guasta / sostituire la pulsantiera / contattare il rivenditore locale per assistenza
	Malfunzionamento dei relè o degli apparati elettronici / sostituire gli apparati elettronici o i relè / contattare il rivenditore locale per assistenza
Il braccio elevatore non si muove / i piedi non si muovono	La batteria è scarica / ricaricare la batteria
	Arresto di emergenza attivato / ruotare in senso orario per riavviare
	La pulsantiera non è connessa / ricollegare la pulsantiera
	La pulsantiera è guasta / sostituire la pulsantiera / contattare il rivenditore locale per assistenza
	Malfunzionamento degli apparati elettronici / contattare il rivenditore locale per assistenza
	Il motore è guasto / contattare il rivenditore locale per assistenza
	Verificare il contatto tra colonna e telaio

## Manual en español

ES

## Índice

Molift Quick Raiser 205 .....	168
Componentes de la grúa.....	168
Acerca de Molift Quick Raiser 205.....	168
Información general .....	169
Declaración de conformidad.....	169
Condiciones de uso.....	169
Garantía .....	169
Identificación del producto.....	169
Datos técnicos.....	170
Montaje .....	171
Batería.....	171
Soporte para las piernas.....	172
Columna de elevación y chasis .....	172
Brazo elevador.....	173
Cable de alimentación .....	173
Mando .....	174
Lista de comprobación tras la instalación	174
Reinicio del indicador de mantenimiento	174
Uso de Molift Quick Raiser 205.....	175
Antes de su uso / comprobación diaria	175
Mando .....	175
Dispositivos de seguridad .....	176
Asas de dirección.....	176
Frenos .....	176
Parada/descenso de emergencia.....	176
Componentes electrónicos.....	177
Condiciones de transporte	
y funcionamiento .....	177
Batería.....	177
Indicador de mantenimiento y batería..	177
Carga .....	177
Traslado .....	179
Uso de las eslingas.....	179
Ajuste del soporte para las piernas .....	179
Soporte para las piernas alternativo	
con correas.....	179
Uso de un brazo elevador	
de cuatro puntos .....	180
Uso de un brazo elevador	
de dos puntos .....	180
Elevación .....	181
Traslado.....	181
Accesorios.....	182
Accesorios .....	182
Perchas y eslingas .....	182
Mantenimiento.....	183
Limpieza y desinfección.....	183
Ajustes .....	183
Reciclaje .....	183
Piezas de recambio .....	183
Inspección periódica .....	183
Alcance de la inspección periódica .....	184
Solución de problemas .....	18

## Importante

Este manual de usuario contiene instrucciones de seguridad importantes e información relacionada con el uso de la grúa y sus accesorios.

En este manual, se entiende por «usuario» la persona elevada.

El «asistente» es la persona que opera la grúa.

**Advertencia:**

Este símbolo indica que se trata de información importante sobre seguridad. Siga atentamente estas instrucciones.



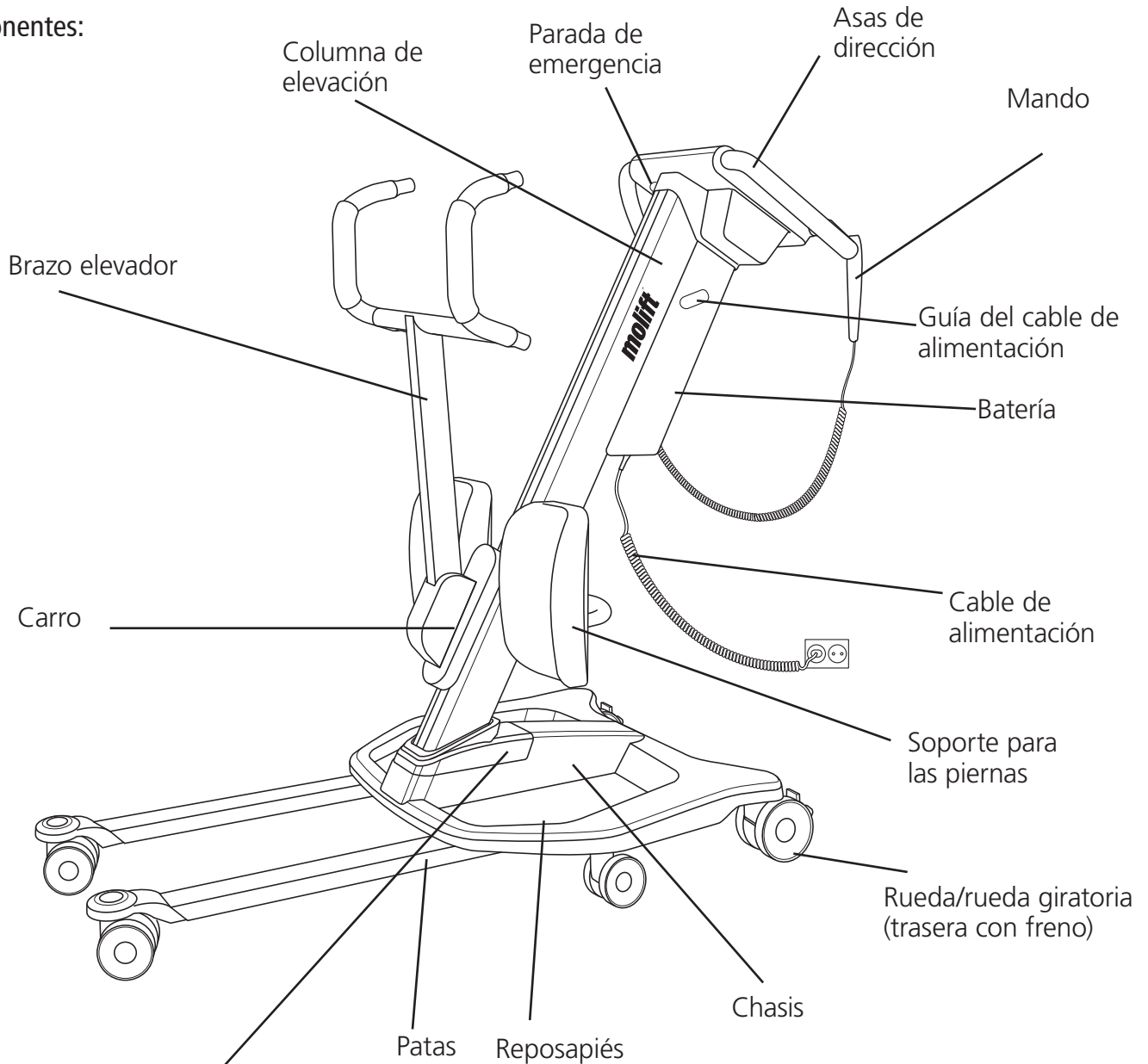
**¡Lea el manual del usuario antes de usar el equipo! Es importante entender completamente el contenido del manual del usuario antes de utilizar el equipo.**

Descargue la documentación de [www.etac.com](http://www.etac.com) para asegurarse de que posee la versión más reciente.

*La declaración del fabricante se encuentra en el manual técnico de Molift Quick Raiser (TM13001).*

# Molift Quick Raiser 205

**Componentes:**



**Herramientas de montaje:**



- Llave Allen de 6 mm
- Llave inglesa de 17 mm

## Acerca de Molift Quick Raiser 205

Molift Quick Raiser 205 es una grúa de levantamiento móvil pensada para elevar y trasladar a una persona de/a una silla, una silla de ruedas o el inodoro con una eslinga. La grúa Molift Quick Raiser 205 está concebida para usuarios que pueden seguir instrucciones, tienen buena estabilidad en la parte superior del cuerpo y pueden soportar su peso al menos con una pierna, pero necesitan ayuda para levantarse. La forma de la grúa y la geometría del movimiento de elevación imitan el patrón de movimiento natural de las personas. La grúa está fabricada con materiales ligeros y cuenta con ruedas giratorias y un motor

eléctrico accionado por una batería. La grúa se puede controlar desde el mando o desde el panel de control situado en la propia grúa. Cuenta con patas ajustables eléctricamente y una capacidad de elevación de 205 kg (451 lb). Resulta idónea para su uso en centros sanitarios, aunque también se puede utilizar en hogares y residencias de ancianos. La grúa solo debe utilizarse para traslados de corta distancia, como entre una silla y una cama, o para mover al paciente a un baño contiguo, y no sustituye a la silla de ruedas ni similares.

## Información general

ES

### Declaración de conformidad



La grúa Molift Quick Raiser 205, así como todos los accesorios recogidos en el presente manual de uso, dispone de marcado CE de conformidad con lo expuesto en la Directiva 93/42/CEE del Consejo de la UE relativa a los productos sanitarios de clase 1. Tanto la grúa como los accesorios se han sometido a pruebas y una entidad independiente los ha aprobado de acuerdo con las normativas CEI 60601-1, CEI 60601-1-2 y NS-EN ISO 10535:2021.

### Condiciones de uso

Elevar y trasladar a una persona siempre supondrá cierto riesgo, por lo que el equipo y los accesorios descritos en este manual solamente deben ser utilizados por personal debidamente formado.

### Modificaciones y uso de piezas de otros fabricantes

Recomendamos usar exclusivamente componentes y recambios Molift de Etac. Si se modifica el producto, la declaración de conformidad deja de ser válida y Etac no se hace responsable de la garantía. Etac no se hace responsable de los errores o accidentes que puedan producirse al usar componentes de otros fabricantes.



Solamente el personal certificado está autorizado a abrir la grúa o los accesorios para su mantenimiento o reparación. Hay riesgo de lesiones con las piezas giratorias y riesgo de descarga eléctrica.



El control de la grúa no debe estar en manos de la persona que va a ser elevada.

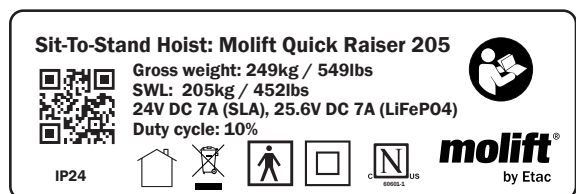
### Garantía

Nuestros productos tienen dos años de garantía por defectos de fabricación y materiales. Consulte las condiciones en [www.etac.com](http://www.etac.com).

## Identificación del producto

### Etiqueta del producto / GS1-128

El código de barras de la etiqueta contiene el número EAN, el número de serie y la fecha de fabricación.



Parte aplicada de tipo BF



Indicador de carga



Con marcado CE



Símbolo de aislamiento doble



Consulte el manual del usuario



Fabricante



Solo para uso en interiores



Fecha de fabricación  
 YYY-MM-DD



No eliminar con residuos comunes



Número de catálogo



Descenso de emergencia



Número de serie



Indicador de mantenimiento



Producto sanitario



Indicador de la batería

### Símbolos y etiquetas de advertencia

Explicación más detallada de los símbolos utilizados en el producto:

ES

## Datos técnicos de Quick Raiser 205

### Carga de trabajo segura (SWL):

205 kg (451 lb)

### Peso de la unidad:

Peso total de la unidad: 44,5 kg / 98 lb

Chasis: 17 kg / 37,5 lb

Columna de elevación: 19 kg / 41,9 lb

Soporte para las piernas: 3,5 kg / 7,7 lb

Brazo elevador de cuatro puntos: 5 kg / 11 lb

### Batería:

SLA 24 V, 2,9 Ah

LiFePO4 25,6 V, 2,4 Ah

### Cargador de baterías:

Entrada: 100-240 V CA, 50-60 Hz,

máx. 0,35 A

Salida: 29,4 V CC, 0,5 A

### Tiempo de carga de la batería:

5 horas

### Rendimiento nominal:

100 elevaciones de 75 kg y 500 mm

### Velocidad de elevación:

35 mm/s (1,4 in/s)

con 75 kg (165 lb) de carga

### Clase de protección:

IP24 (grúa completa).

Los objetos con dimensiones esféricas de 12,5 mm de Ø no penetran del todo. Las salpicaduras de agua no dañan el equipo, independientemente de la dirección en la que impacten contra la superficie.

### Fuerza de accionamiento de botones:

Botones del panel de control: &lt;5 N

Botones del mando: &lt;5 N

### Material:

Aluminio, plástico y acero

### Motor:

Motor de elevación: 24 V CC

Motor de extensión de las patas: 24 V CC

### Diámetro de giro:

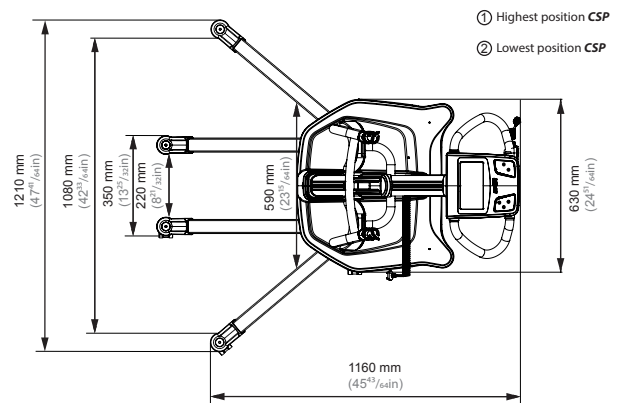
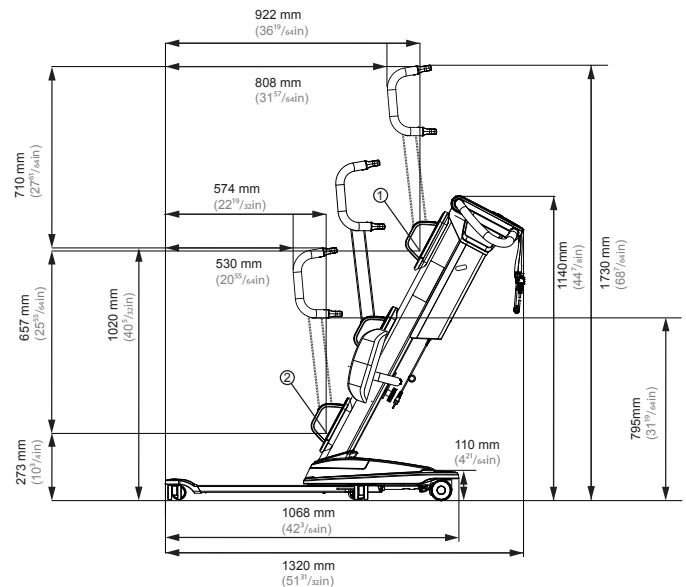
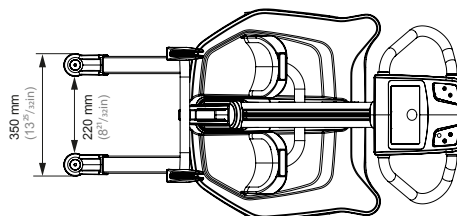
1144 mm (57 in)

### Vida útil prevista:

La grúa y los accesorios poseen una vida útil prevista de 30 000 ciclos o 10 años.

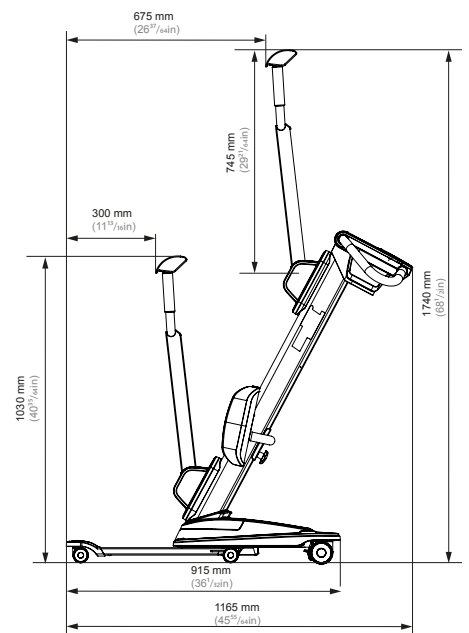
### Piezas aplicadas:

- Eslinga
- Apoyo para los pies
- Asas basculantes para brazos



- ① Highest position CSP
- ② Lowest position CSP

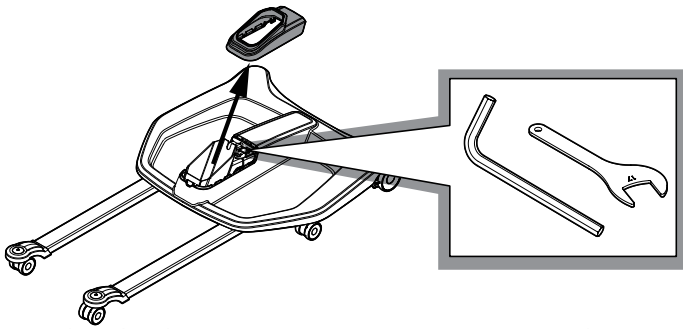
QuickRaiser 205 FL (Fixed Legs):



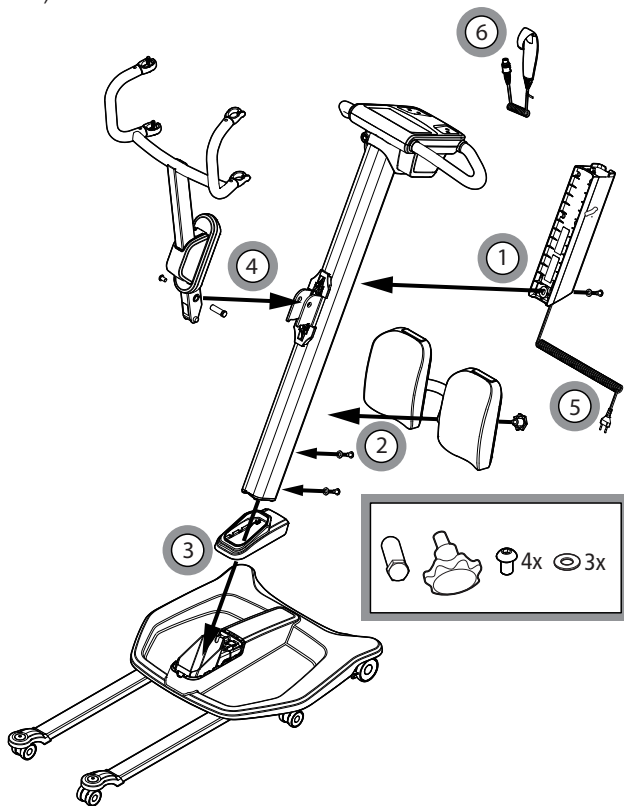
## Instrucciones de montaje

ES

## Antes del montaje



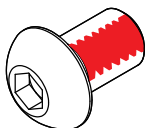
Localice las herramientas necesarias para el montaje (llave Allen de 5 mm y llave inglesa de 17 mm).



1. Batería
2. Soporte para las piernas
3. Columna integrada en el chasis
4. Brazo elevador
5. Cable de alimentación
6. Mando

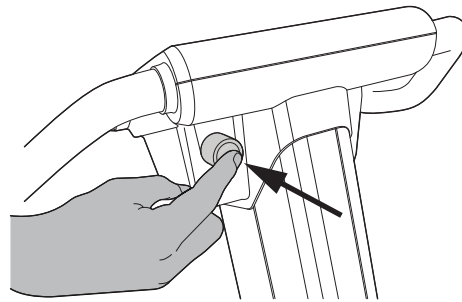


La grúa solo puede ser montada por personal con la formación adecuada.

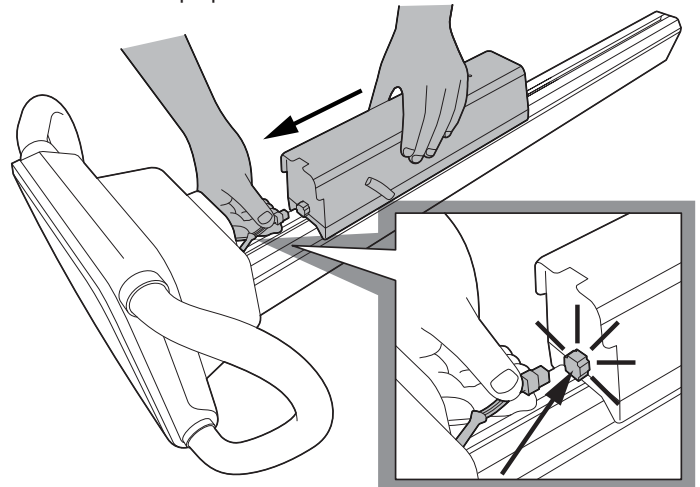


Los tornillos a los que se les haya aplicado previamente sellador de roscas solo deben usarse una vez. N.º de ref. de pieza de recambio: 2920075.

## 1 - Batería



Pulse el botón de parada de emergencia antes de montar el equipo.

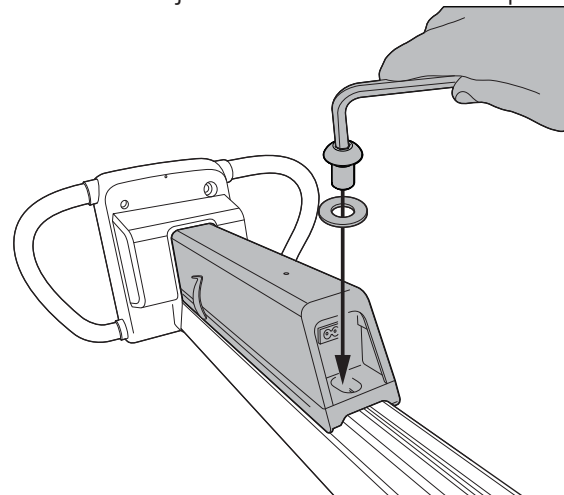


Coloque la columna sobre una superficie horizontal.

Compruebe que el interruptor de parada de emergencia esté pulsado.

Conecte el cable del panel de control a la caja de la batería.

Deslice la caja de la batería hasta su posición.

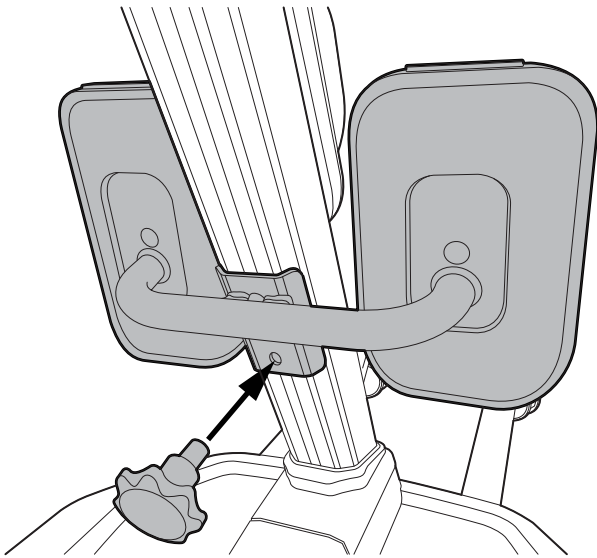


Apriete el tornillo con la llave Allen en el sentido de las agujas del reloj. Nota: No olvide utilizar la arandela.

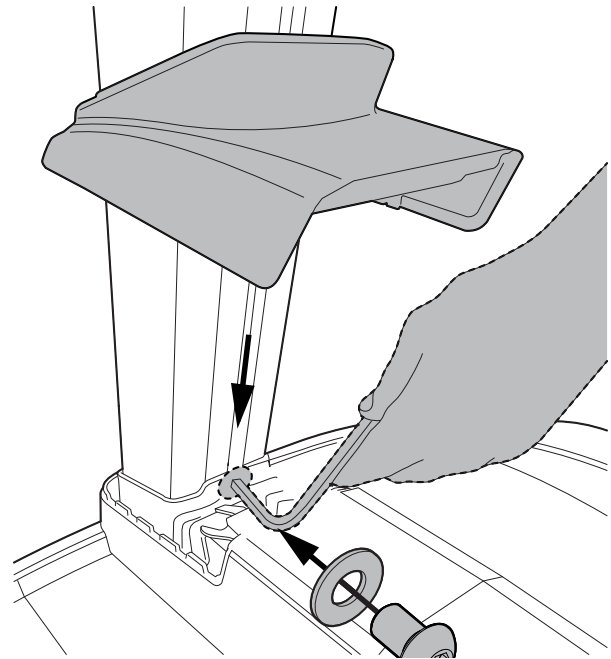


Asegúrese de que la batería esté correctamente fijada antes de montar la columna en el chasis.

## 2 - Soporte para las piernas

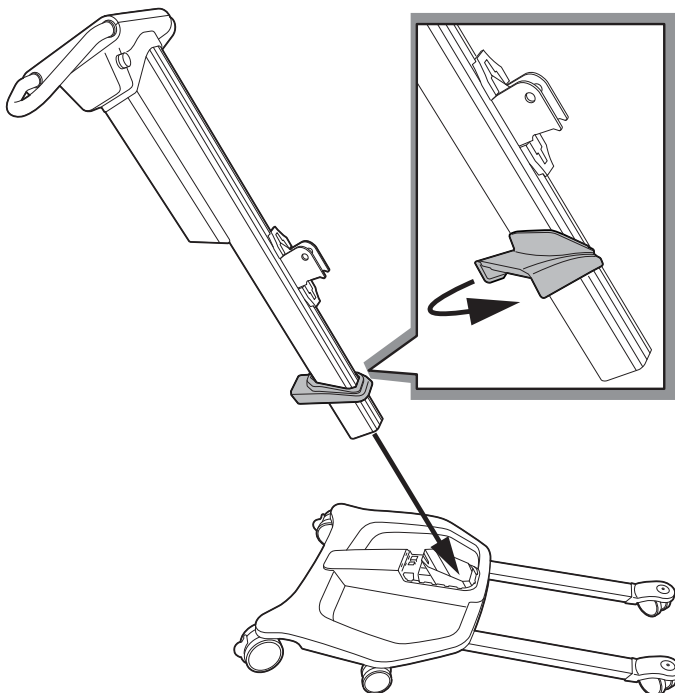


Monte el soporte para las piernas.

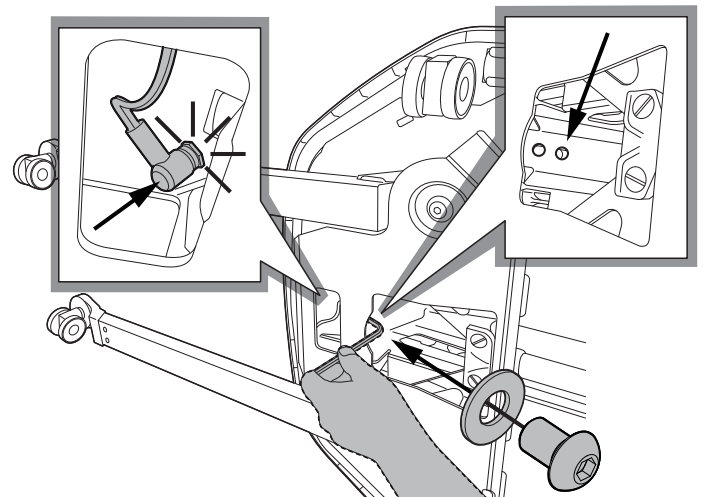


Coloque el tornillo con la arandela en la columna. Deslice el tornillo hacia abajo hasta llegar al chasis y apriételo.

## 3 - Columna de elevación y chasis



Coloque la cubierta en la columna de elevación. Gire la cubierta lateralmente para mantenerla en la columna. Inserte la columna de elevación en el chasis.

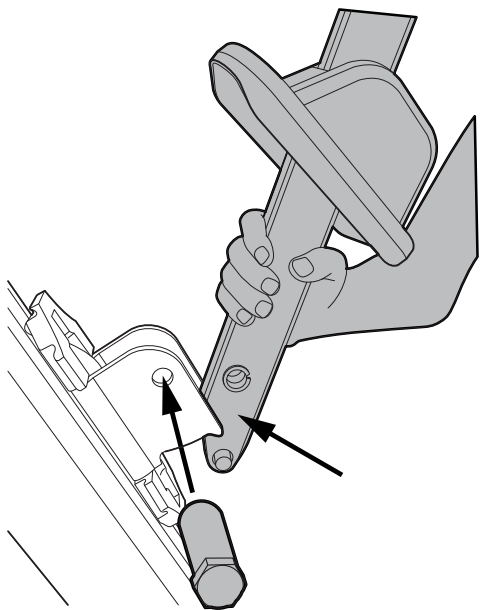


Incline la grúa hacia un lado. Inserte el tornillo y la arandela en el orificio superior y apriete el tornillo. Conecte el cable entre la columna y el chasis. (Nota: El cable NO se usa con la versión FL de la grúa Molift Quick Raiser 205).

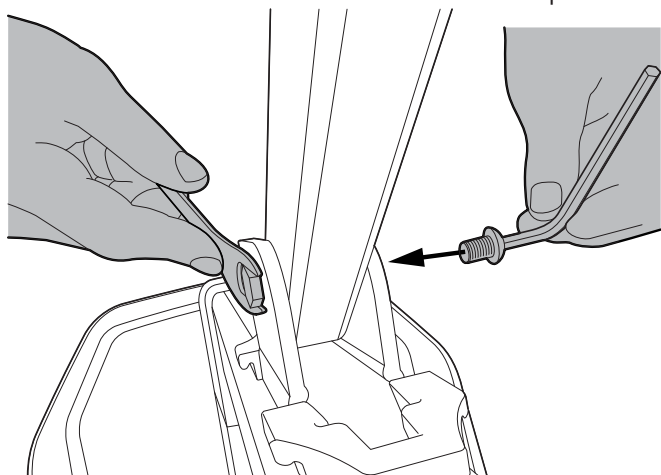


Los tornillos hacen que la columna no se deslice hacia arriba. No utilice la grúa a menos que los dos tornillos estén debidamente apretados.

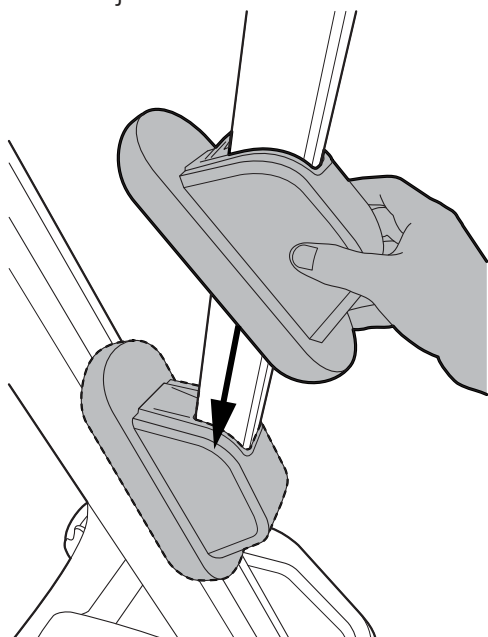
#### 4 - Brazo elevador



Coloque la cubierta en el brazo elevador. Coloque el brazo elevador en el carro e inserte el perno.

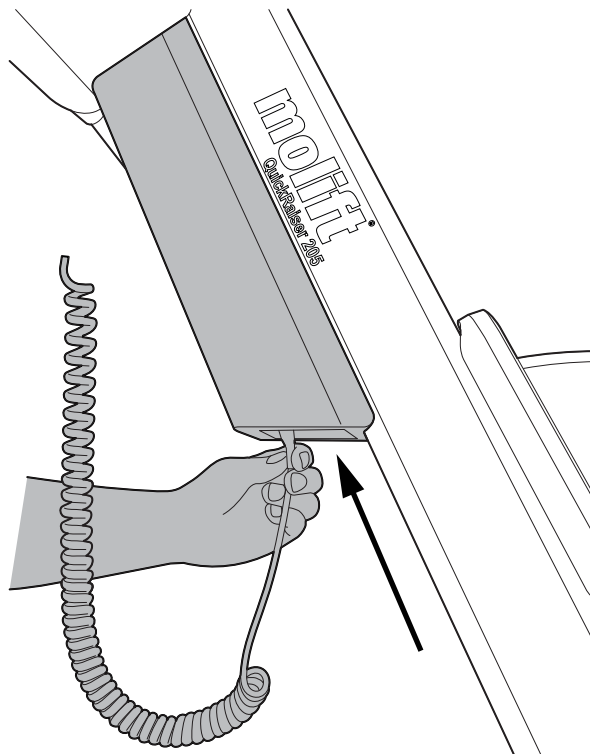


Inserte el perno y apriete el tornillo con la llave inglesa de 17 mm y una llave Allen de 6 mm. Compruebe que el brazo elevador esté correctamente fijado al carro de la columna.

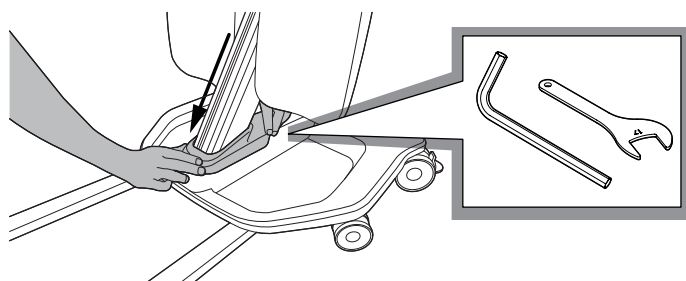


Encaje la cubierta en el carro.

#### 5 - Cable de alimentación

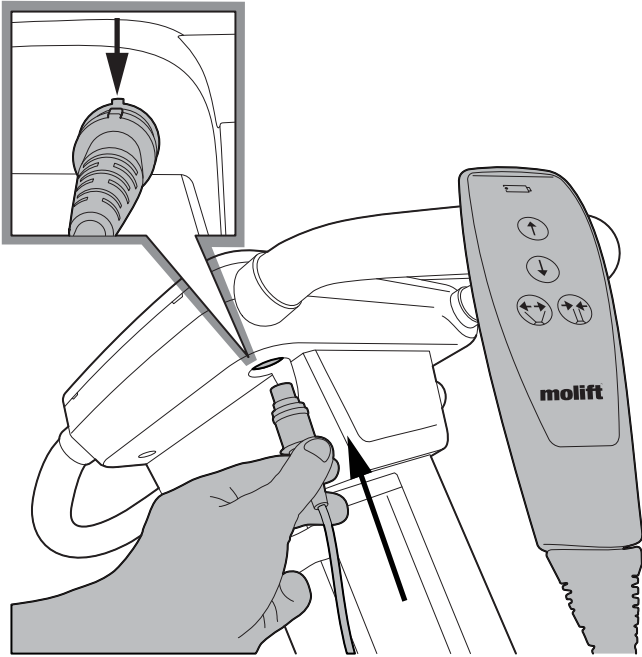


Conecte el cable de alimentación a la parte inferior de la caja de la batería.



Encaje la cubierta en el chasis. Recuerde devolver a su sitio las herramientas.

## 6 - Mando



Conecte el mando al panel de control.



**No empiece a utilizar la grúa sin haber revisado la lista de comprobación tras su montaje.**

## Lista de comprobación después del montaje

Utilice esta lista de comprobación antes de utilizar el producto para verificar que la grúa está correctamente instalada y que su uso es seguro.



Tras el montaje, reinicie la parada de emergencia girando el botón en el sentido de las agujas del reloj. Entonces, el indicador de mantenimiento debería iluminarse en color amarillo. Tras verificar todos los puntos de esta lista de comprobación, reinicie el indicador de mantenimiento tal como se explica en las instrucciones de montaje.

- Asegúrese de que el soporte para las piernas y el brazo elevador estén fijados correctamente y de que no haya ninguna pieza suelta en la grúa.
- Asegúrese de que la columna de elevación esté correctamente fijada al chasis y que sus dos tornillos estén apretados.
- Conecte la grúa a la toma eléctrica para asegurarse de que el cargador de baterías integrado funciona. Cargue la batería si fuera necesario.
- Compruebe que la grúa no presente ningún daño visible ni otros fallos.
- Realice una elevación con carga (50-100 kg).  
Nota: La grúa no funciona durante el proceso de carga de la batería.

## Reinicio del indicador de mantenimiento

Si el led de mantenimiento se ilumina en amarillo, póngase en contacto con el servicio técnico de Molift para ver qué medidas se requieren.

El indicador de mantenimiento volverá a iluminarse en color amarillo 12 meses después, cuando llegue el momento de realizar la inspección periódica.

# Uso de Molift Quick Raiser 205

ES

## Medidas generales de seguridad

Utilice únicamente accesorios y eslingas que se adapten al usuario, al tipo de discapacidad, al tamaño, al peso y al tipo de traslado.

## Relación de pausas y ciclos de trabajo

Molift Quick Raiser 205 no debe estar en funcionamiento más de dos minutos seguidos (con carga máxima) y las pausas entre ciclos de trabajo deben ser de un mínimo de 18 minutos. Ciclo de trabajo del 10 % (intermitencia conforme a la norma ISO-EN 10535).

## Carga de trabajo segura

La grúa está marcada con Carga de trabajo segura (SWL).



Si la carga máxima (SWL) difiere entre la percha de la grúa y la unidad de soporte del cuerpo, deberá usarse siempre la menor carga máxima.



Las grúas de Molift solo deben usarse para elevar personas. Nunca utilice la grúa para elevar o desplazar objetos de ningún tipo.

## Antes de su uso / comprobación diaria

Inspección obligatoria diaria o antes del uso:

- Asegúrese de que la grúa no presenta daños, defectos ni deformaciones visibles.
- Asegúrese de que la conexión del brazo elevador, el soporte para las piernas, la caja de la batería y todas las piezas desmontables estén correctamente conectadas y fijadas.
- Pruebe el botón de parada de emergencia.
- Compruebe el nivel de la batería y la luz de mantenimiento.

- Compruebe que la correa de la eslinga no presente daños visibles ni hilachas.
- Asegúrese de que las ruedas puedan rodar sin problemas y de que la grúa se pueda maniobrar fácilmente.
- Pruebe las funciones de elevación y asegúrese de que la grúa no emita sonidos anormales.



Si existiesen fallos o defectos, retire la grúa y márkela como «fuera de servicio».

## Mando

El mando tiene 4 botones para elevar y bajar el brazo elevador, y extender o replegar el mecanismo de extensión de las patas.

El indicador del mando se encenderá cuando quede poca batería y sea necesario cargarla.

Mando de 4 botones: n.º de ref. 2910010.

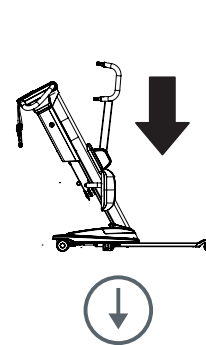
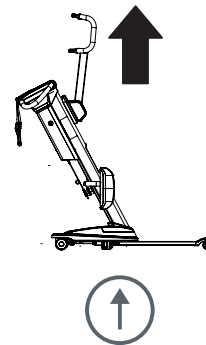
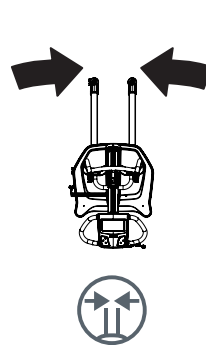
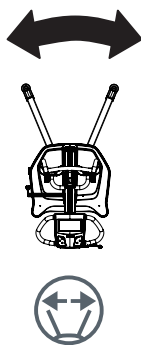
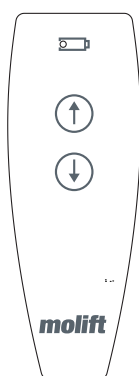
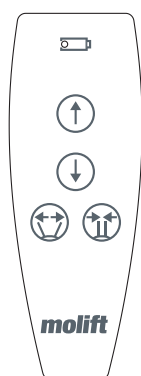
Mando de 2 botones: n.º de ref. 2910011.

## Brazo elevador: subir/bajar

Nota: La grúa es más inestable en la posición superior.

## Patas: replegar/extender

Nota: Las patas extendidas ofrecen más estabilidad y un mejor acceso a la silla o al inodoro.



## Dispositivos de seguridad

La grúa Molift Quick Raiser 205 está equipada con varios dispositivos de seguridad, diseñados para prevenir daños a los equipos y al personal en caso de que se haga un uso incorrecto de ellos. La grúa cuenta con un sensor de sobrecarga que evita que funcione si la carga supera la SWL. El brazo elevador dispone de bisagras para evitar que el brazo y la percha puedan aplastar al usuario.

## Asas de dirección

Utilice las asas de dirección para mover la grúa.

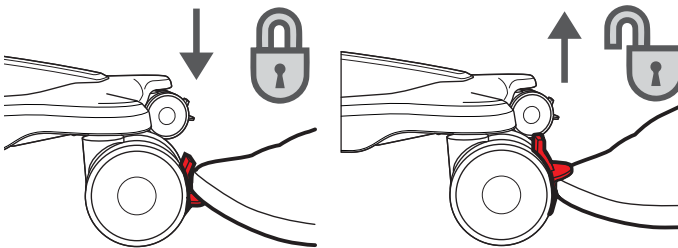


**No empuje ni tire del usuario, la columna de elevación ni el brazo elevador.**  
Esto puede causar problemas de estabilidad y la grúa puede volcarse.

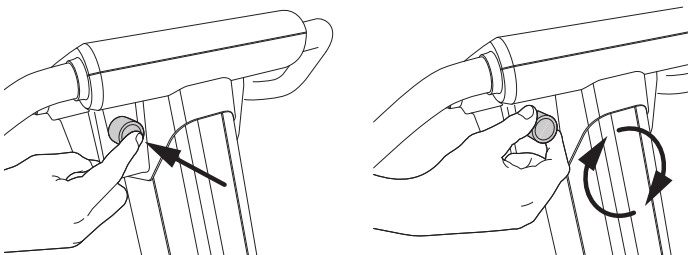
La grúa solo debe utilizarse para desplazamientos en distancias cortas. No sustituye a la silla de ruedas ni similares.

## Frenos

Las ruedas traseras y las giratorias disponen de frenos de pedal. Pise el freno para bloquearlos. Levante el freno, o ejerza presión sobre su parte superior, para desbloquearlo.

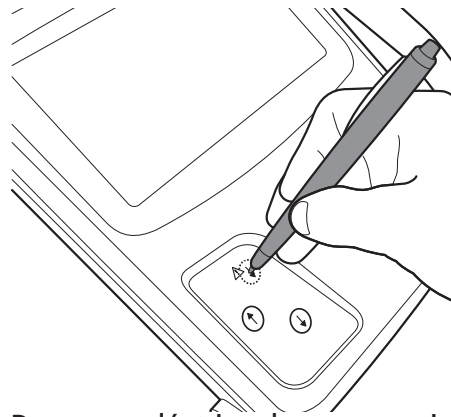


## Parada de emergencia / descenso de emergencia



### Parada de emergencia

El interruptor de parada de emergencia apaga el equipo cuando se pulsa. Para reiniciarlo, gírelo en el sentido de las agujas del reloj.

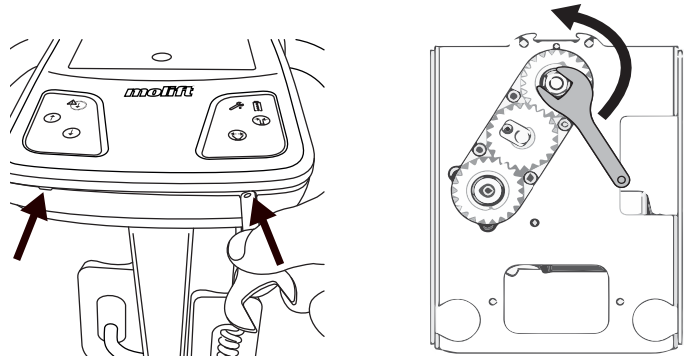


### Descenso eléctrico de emergencia

Utilice un lápiz o un objeto puntiagudo para mantener pulsado el botón del descenso eléctrico de emergencia y bajar la percha. La función de descenso eléctrico de emergencia no funciona cuando la parada de emergencia se encuentra activada.



**El descenso eléctrico de emergencia solo debe utilizarse en caso de que no funcione ningún otro botón.**



### Descenso manual de emergencia

Utilice la llave fija que se encuentra en la cubierta inferior para levantar la cubierta del panel de control por los dos puntos indicados.



**Pulse el botón de parada de emergencia antes de retirar la cubierta. Las piezas giratorias presentan riesgo de aplastamiento.**

Utilice la llave inglesa de 17 mm y gire el tornillo hacia la izquierda hasta que el usuario pueda bajar adecuadamente. La función de descenso manual de emergencia solo debe utilizarse cuando el descenso eléctrico de emergencia no funciona.



**Si es necesario utilizar el descenso de emergencia, marque la grúa como «fuera de servicio» y solicite que se realice un mantenimiento.**

## Componentes electrónicos

ES

### Condiciones de transporte y funcionamiento

#### Transporte y almacenamiento

Para un almacenamiento durante largos periodos, se recomienda dejar activado el botón de parada de emergencia (hacia dentro). La grúa puede almacenarse y transportarse a temperaturas entre -25 y 70 °C.

#### Funcionamiento

La grúa está diseñada para utilizarse en habitaciones con temperaturas estándares (de 5 a 40 °C).

Presión del aire: de 70 a 106 kPa.

Humedad relativa: del 15 al 93 %.

Tras el almacenamiento o transporte a otras temperaturas, deje la grúa en una habitación con una temperatura adecuada hasta que alcance una temperatura de funcionamiento segura.



Los equipos médicos eléctricos requieren precauciones especiales respecto a la compatibilidad electromagnética (CEM). Los equipos de radiocomunicaciones móviles o portátiles pueden afectar a los equipos médicos eléctricos y deben mantenerse a una distancia mínima de 25 cm (10 in) de los componentes electrónicos de la grúa.

### Batería

La grúa Molift Quick Raiser 205 está disponible con una batería de 24 V SLA o una batería de 25,6 V LiFePO4 y, en ambos casos, cuenta con un cargador integrado.



La batería SLA tiene una vida útil prevista de aprox. 500 ciclos de carga.

La batería LiFePO4 tiene una vida útil prevista de aprox. 2000 ciclos de carga.



Las baterías deben desecharse como residuos especiales de acuerdo con las normativas y leyes locales. No eliminar con residuos comunes






### Indicador de mantenimiento y batería

	Símbolo de llave inglesa / indicador de mantenimiento
	Símbolo de batería / indicador de batería

El sistema eléctrico cuenta con una función de ahorro de energía que desconecta automáticamente el sistema transcurridos cinco minutos desde la última operación. Esto apagará todos los indicadores. Para activar el sistema, basta con pulsar cualquiera de los botones del panel.

#### Indicador de batería en el panel de control

Cuando el indicador de batería multinivel esté en amarillo, la grúa tendrá la energía suficiente para realizar un ciclo de elevación completo con carga máxima. Cuando la batería parpadee en color amarillo, solamente será posible bajar el brazo de elevación.

Indicador de la batería	Nivel de batería
	Verde 80 % o más
	Verde 80-60 %
	Verde 60-40 %
	Verde 40-20 %
	Amarillo o amarillo intermitente 20 % o menos (cargue la grúa)

### Indicador de mantenimiento

Los componentes electrónicos de la grúa registran el peso levantado y el número de elevaciones. Tras un determinado periodo de uso, se emite una señal para indicar que el equipo requiere mantenimiento.

#### Indicador de mantenimiento (desde el 01.01.2018)

Luz de mantenimiento	Modo
Sin luz	No necesita mantenimiento
Verde intermitente	Solicitar mantenimiento
Amarillo	Inspección periódica necesaria
Rojo	Realizar mantenimiento

#### Indicador de mantenimiento (hasta el 31.12.2017)

Luz de mantenimiento	Modo
Sin luz	No necesita mantenimiento
Amarillo	Solicitar mantenimiento
Amarillo intermitente	Inspección periódica necesaria
Rojo	Realizar mantenimiento

La grúa cuenta con un cargador integrado. Apárquela y conéctela a un enchufe de pared para cargar la batería. Un indicador LED situado en la parte trasera de la caja de la batería se encenderá en rojo durante la carga. El indicador LED de la caja de la batería permanecerá iluminado en color verde una vez que la grúa esté cargada. Durante la carga, los indicadores LED del panel de control parpadean cada 10 segundos.



No coloque la grúa de manera que sea difícil desconectar el cable de alimentación.



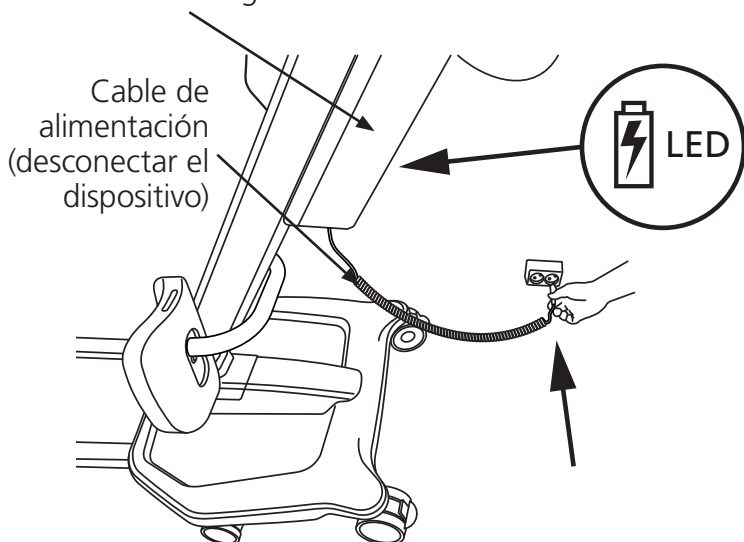
No cargue la grúa en el baño ni en ningún otro espacio con superficies húmedas.



Extraiga el cable de alimentación de la toma de pared antes de mover la grúa.

### Carga

Cargador de batería integrado

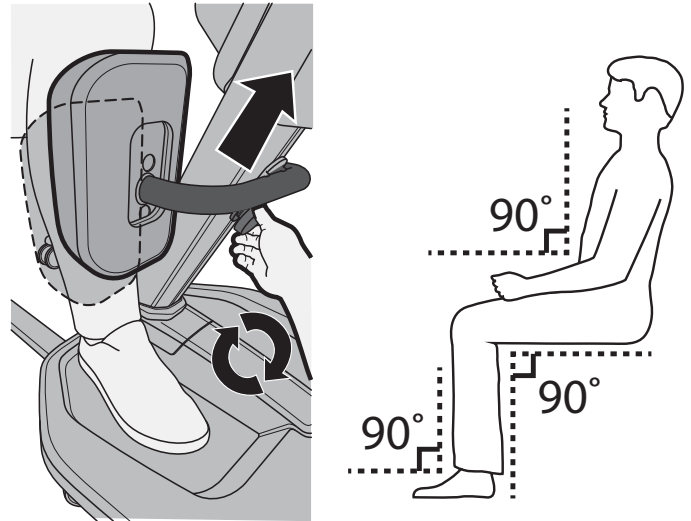


## Traslado

**ES**

Planifique la elevación con antelación para asegurarse de que discorra de la forma más segura y fluida posible. Recuerde trabajar de manera ergonómica. Evalúe los riesgos y tome nota de ellos. El asistente es responsable de la seguridad del usuario.

Utilice el perno giratorio para subir o bajar el soporte para las piernas según sea necesario.



### Uso de las eslingas

Es importante que la eslinga se haya probado con el usuario y para la situación de elevación prevista.



Lea el manual de usuario de la eslinga antes de su uso.



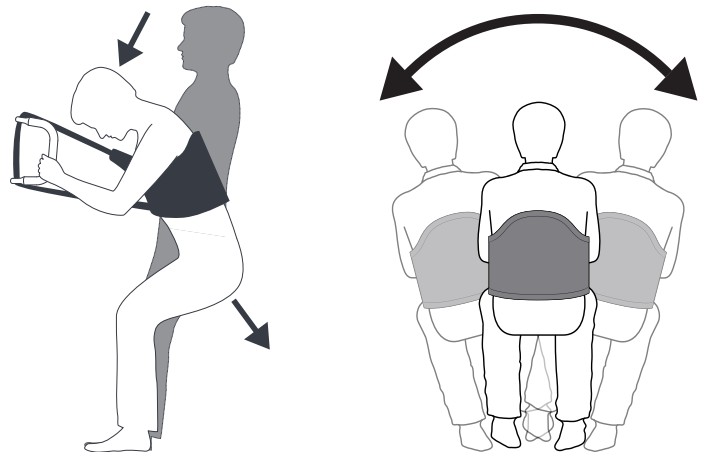
No utilice eslingas dañadas o muy desgastadas.



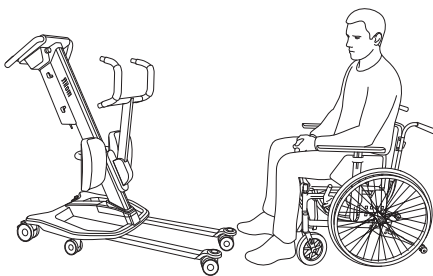
Asegúrese de que el usuario no se inclina hacia delante ni bascula hacia los lados antes ni durante su elevación o descenso.

### Eslingas de otros fabricantes

Utilice únicamente eslingas Molift. Etac no se hace responsable de los errores o accidentes que puedan producirse al usar eslingas de otros fabricantes.



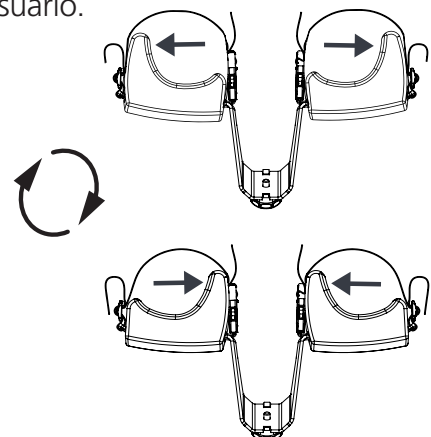
### Ajuste del soporte para las piernas



Coloque Quick Raiser 205 frente al usuario. Coloque los pies del usuario en el reposapiés. Si fuese necesario, ayúdele a colocar los pies correctamente. Bloquee las ruedas de la grúa antes de elevar al usuario. El ángulo óptimo de las articulaciones del usuario antes de la elevación es de 90 grados.

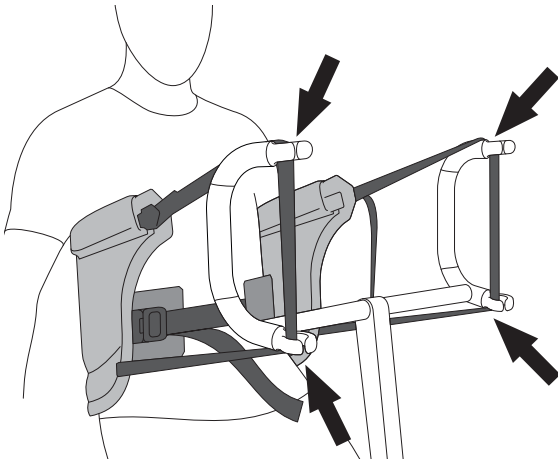
### Soporte para las piernas alternativo con correas

El soporte para las piernas alternativo con correas se puede retirar y girar 180 grados para sujetar mejor tanto el interior como el exterior de las piernas del usuario.

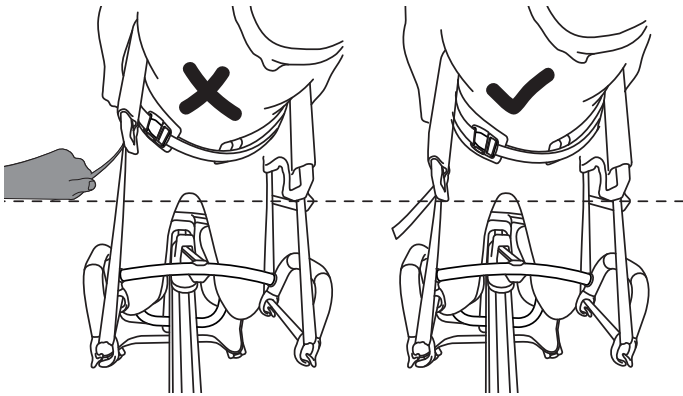


Asegúrese de que la altura del soporte para las piernas se ajuste a la anatomía concreta del usuario. El borde superior de los cojines debe quedar 2 cm por debajo de la rodilla del usuario.

### Uso de una percha de cuatro puntos



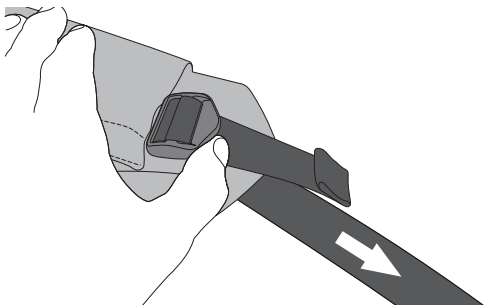
Pase y asegure las correas de la eslinga por los cuatro ganchos del brazo elevador.



Tire de la correa que queda libre para ajustar la longitud de las otras. Asegúrese de que los dos lados sean igual de largos.

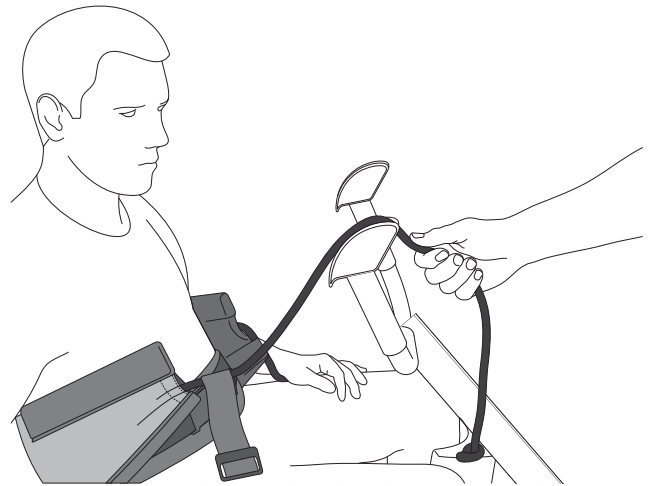
El peso del paciente hace que la correa quede fija en el brazo elevador. El usuario debe inclinarse hacia atrás ligeramente durante la elevación y, si es posible, sujetarse a las asas.

### Retirada de la eslinga



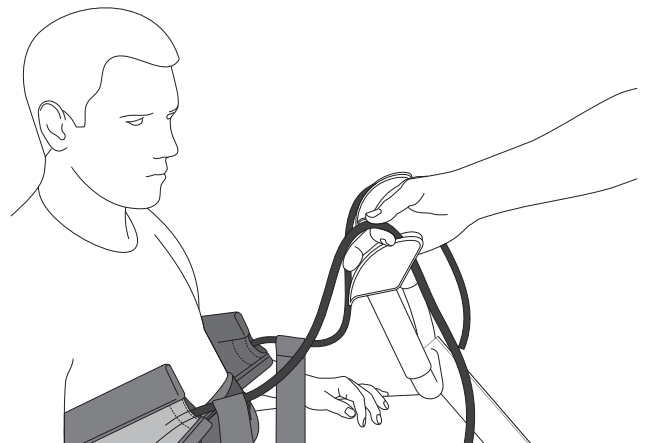
Para volver a soltar las correas, incline la hebilla y tire de la correa hacia fuera.

### Uso de una percha de dos puntos



Con el brazo de percha de dos puntos, las cuerdas se colocan en el brazo elevador tirando fuertemente de ellas desde arriba e introduciéndolas en los seguros de las cuerdas.

### Retirada de la eslinga



Libere la banda deslizando sus dedos por la cuerda mientras los aleja del paciente.

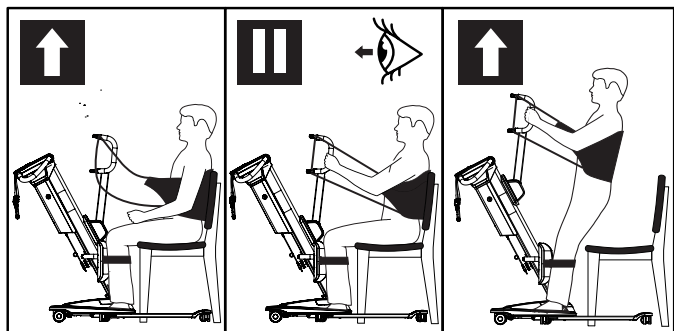


RgoSling Active solo puede utilizarse con perchas de cuatro puntos de anclaje. RgoSling Stand Up solo puede utilizarse con perchas de dos puntos de anclaje.

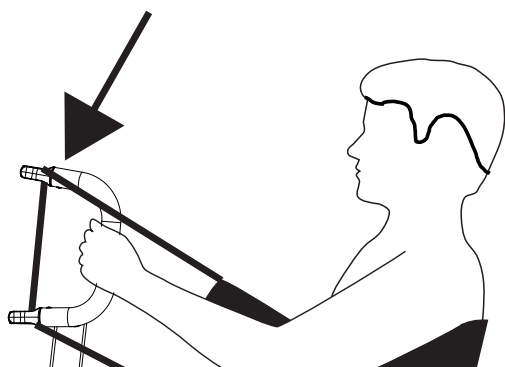
## Elevación/descenso

Durante el traslado de un usuario, colóquese a su lado. Compruebe que las extremidades no obstruyan el asiento, la cama, etc. Mantenga contacto visual con el usuario para que se sienta seguro.

Si es posible: amplíe la anchura de la base de las ruedas antes de la elevación con el botón de ajuste de la anchura que hay en el mando.



1. Compruebe que la eslinga esté bien colocada alrededor del usuario y que los lazos de las correas estén correctamente colocados en los ganchos de la percha.
2. Asegúrese de que el usuario tiene ambos pies bien apoyados en el reposapiés de la grúa.
3. Estire las correas de la eslinga sin elevar al usuario. Asegúrese de que los dos lazos de la eslinga están correctamente fijados para que el usuario no se pueda deslizar ni caer.
4. Asegúrese de que la hebilla está bien abrochada.
5. Levante al usuario a una posición vertical; apriete y ajuste la eslinga si fuese necesario.

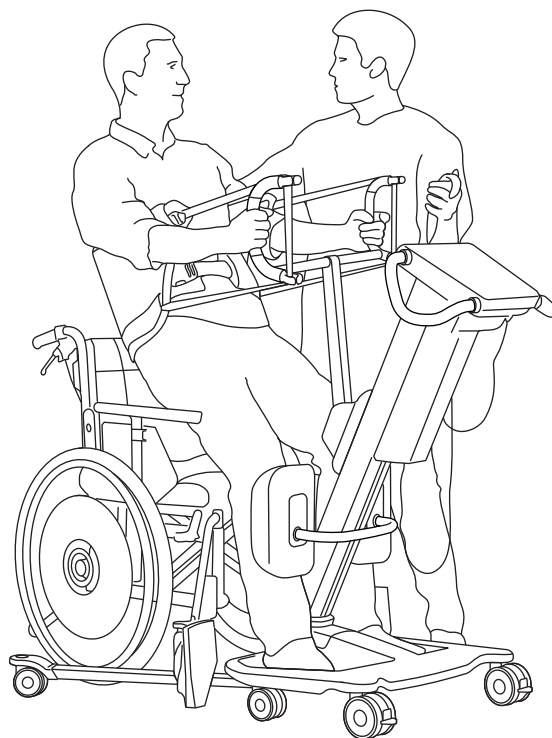


Asegúrese de que las manos del usuario estén bien colocadas, de manera que las correas de elevación no aplasten sus manos o dedos.

Nota: Las ruedas del objeto desde o hacia el que se esté levantando al usuario deben estar bloqueadas.

## Traslado

Levante con cuidado al paciente hasta que sus nalgas no toquen el asiento y apriete el cinturón. Desbloquee las ruedas de la grúa y mueva al paciente a la siguiente ubicación.



Tenga cuidado de no chocar contra muebles, paredes, puertas, etc., durante el movimiento.



No debe utilizar la grúa para elevar o mover a usuarios en superficies inclinadas.

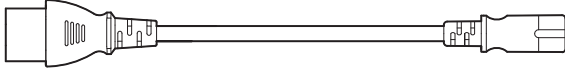
Evite alfombras muy gruesas, umbrales elevados, superficies irregulares u otros obstáculos capaces de bloquear las ruedas. La grúa podría desestabilizarse si se fuerza a remontar dichos obstáculos, lo que aumenta el riesgo de volcado.

La grúa solo debe utilizarse para desplazarse en distancias cortas, no para realizar las funciones de una silla de ruedas.

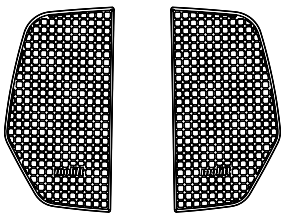
Equipo y accesorios opcionales (recomendados) para Molift Quick Raiser 205.

Accesorios

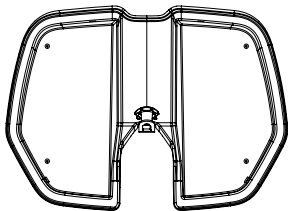
Alargador para cable de alimentación  
N.º de ref.: 2920117



Juego de piezas para insertar en el reposapiés  
N.º de ref.: 2920151



Estribo  
N.º de ref.: 2910065



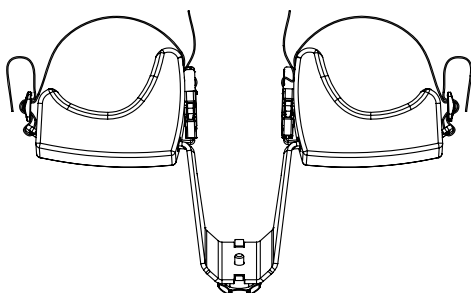
Soporte para las piernas alternativo con correas:

Kit completo con soporte y cojines grandes  
N.º de ref.: 2910056

Juego de cojines grandes  
N.º de ref.: 2910077

Kit completo con soporte y cojines pequeños  
N.º de ref.: 2910059

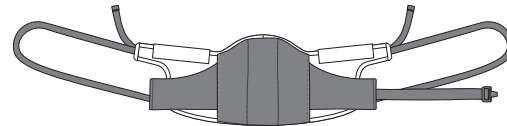
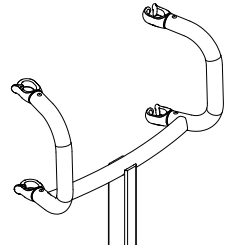
Juego de cojines pequeños  
N.º de ref.: 2910076



Brazos elevadores y eslingas

Percha de 4 puntos:

Brazo elevador Quick Raiser Active  
N.º de ref.: 2910060

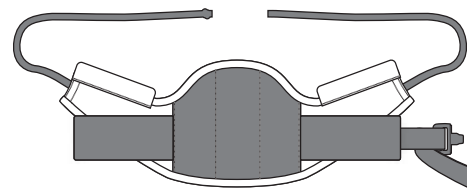
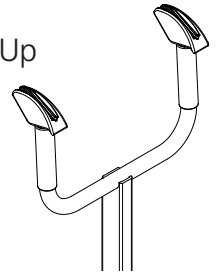


Rgosling Active

- N.º de ref.: 1720910 Tamaño XS
- N.º de ref.: 1720920 Tamaño S
- N.º de ref.: 1720930 Tamaño M
- N.º de ref.: 1720940 Tamaño L
- N.º de ref.: 1720950 Tamaño XL

Percha de 2 puntos:

Brazo elevador Quick Raiser Stand Up  
N.º de ref.: 2910061



Rgosling Stand Up

- N.º de ref.: 1720710 Tamaño XS
- N.º de ref.: 1720720 Tamaño S
- N.º de ref.: 1720730 Tamaño M
- N.º de ref.: 1720740 Tamaño L
- N.º de ref.: 1720750 Tamaño XL

Rgosling Stand Up Padded (acolchado)

- N.º de ref.: 1720810 Tamaño XS
- N.º de ref.: 1720820 Tamaño S
- N.º de ref.: 1720830 Tamaño M
- N.º de ref.: 1720840 Tamaño L
- N.º de ref.: 1720850 Tamaño XL

## Mantenimiento

ES

### Limpieza y desinfección

Limpie el producto con regularidad. Limpie las superficies con un paño húmedo utilizando un detergente con pH neutro adecuado. No utilice disolventes ni líquidos fuertes, pues podría dañar las superficies de la grúa. Cuando sea necesario desinfectar, utilice alcohol isopropílico. Evite utilizar productos de limpieza abrasivos.

- Retire la cubierta del brazo elevador para limpiar la parte inferior.
- Si fuese necesario, retire el cojín para las rodillas y límpielo con agua.
- Retire las posibles pelusas y pelos de las ruedas giratorias y asegúrese de que giran sin problemas.

Limpie los contactos y el mando con alcohol isopropílico para eliminar los restos de grasa y suciedad si es necesario. Revise la parada de emergencia después de la limpieza. No debe exponer la grúa a agua corriente.



Asegúrese de que las etiquetas no se hayan dañado ni eliminado con la limpieza.

### Ajustes

Tras la limpieza y el procedimiento de montaje, realice una inspección periódica y utilice la lista de comprobación para reajustar la grúa.

### Reciclaje

Consulte las «Instrucciones de reciclaje» para saber cómo desechar correctamente el producto. Visite [www.etac.com](http://www.etac.com).

### Piezas de recambio

Puede solicitar una lista de piezas de recambio.

## Inspección periódica

### Alcance de la inspección periódica

La inspección periódica consiste en un examen visual (especialmente de la estructura de carga de la grúa y el mecanismo de elevación con accesorios, frenos, controles, dispositivos de seguridad y dispositivos de soporte de personas), de acuerdo con el Informe de Inspección Periódica de la grúa Molift Quick Raiser 205.

Visite [www.etac.com](http://www.etac.com).



La grúa deberá dejarse de utilizar inmediatamente y señalarse como «fuera de servicio» si surge cualquier problema con ella que pueda poner en peligro la seguridad de alguien. No utilice la grúa hasta que esté reparada.

autorización o recomendaciones sobre los socios de mantenimiento aprobados.

Al llevar a cabo la inspección periódica, el inspector deberá cumplimentar el informe de inspección de Molift Quick Raiser 205. La persona o las personas responsables del mantenimiento de la grúa deberán conservar los informes. Si la inspección revela defectos y daños, habrá que retirar la grúa y marcarla como «fuera de servicio» hasta que se repare. Tras realizar la inspección periódica, reinicie el indicador de mantenimiento (consulte la página 8).

La inspección periódica debe realizarse una vez al año o con más frecuencia si así lo requieren las normativas locales. La inspección debe realizarla personal de mantenimiento autorizado por Etac. Puede ponerse en contacto con Etac a través de [molift@etac.com](mailto:molift@etac.com) para obtener formación y

Problema	Causas/acciones posibles
La columna de elevación cojea	Los pernos de bloqueo no están bien fijados o la columna de elevación no está bien colocada en el chasis / compruebe que la columna esté bien colocada en el chasis o apriete los pernos
La grúa solo se mueve en una dirección (arriba o abajo) / las patas solo se mueven en una dirección (hacia dentro o fuera)	Fallo en el mando / cámbielo por el mando de otra grúa o un nuevo mando
	Se ha producido un fallo en el sistema electrónico / póngase en contacto con su representante de mantenimiento local
La grúa se mueve sola hacia arriba o hacia abajo / las patas se mueven solas	Cortocircuito entre el mando y la grúa / limpie los conectores del mando y el chasis con alcohol para eliminar la grasa y la suciedad
	El mando ha fallado / cambie el mando / póngase en contacto con su representante de mantenimiento local
	Funcionamiento incorrecto de los relés/componentes electrónicos / cambie los componentes electrónicos/relés / póngase en contacto con su representante de mantenimiento local
El brazo elevador / las patas no se mueven	Batería descargada / cargue la batería
	Parada de emergencia activada / gire en el sentido de las agujas del reloj para reiniciar
	Mando desconectado / vuelva a conectar el mando
	El mando ha fallado / cambie el mando / póngase en contacto con su representante de mantenimiento local
	Funcionamiento incorrecto de los componentes electrónicos / póngase en contacto con su representante de mantenimiento local
	Se ha producido un fallo en el motor / póngase en contacto con su representante de mantenimiento local
	Compruebe el punto de conexión entre la columna y el chasis

## Příručka v češtině

CZ

## Obsah

Molift Quick Raiser 205 .....	186
Části zvedáku .....	186
O zařízení Molift Quick Raiser 205.....	186
Obecné informace.....	187
Prohlášení o shodě.....	187
Podmínky použití .....	187
Záruka.....	187
Identifikace výrobku.....	187
Technické údaje.....	188
Montáž.....	189
Baterie.....	189
Opěrka nohou .....	190
Zvedací sloup a podvozek .....	190
Zvedací rameno .....	191
Síťový kabel .....	191
Ruční ovládání .....	192
Postup kontroly po instalaci.....	192
Resetování indikátoru servisu.....	192
Jak používat Molift Quick Raiser 205.....	193
Před použitím / každodenní kontrola ...	193
Ruční ovládání .....	193
Bezpečnostní zařízení.....	194
Ovládací madla .....	194
Brzdy.....	194
Nouzové zastavení / Nouzový posun dolů	194
Elektronika .....	195
Převážní a provozní podmínky .....	195
Baterie.....	195
Indikátor baterie a servisu .....	195
Nabíjení.....	196
Přemísťování.....	197
Použití popruhů .....	197
Nastavení opěrky nohou .....	197
Alternativní opěrka nohou s popruhy ..	197
Použití 4bodového zvedacího ramene .	198
Použití 2bodového zvedacího ramene .	198
Zvednutí .....	199
Přemísťování .....	199
Příslušenství.....	200
Příslušenství .....	200
Závěsy a popruhy.....	200
Údržba.....	201
Čištění a dezinfekce .....	201
Repasování .....	201
Recyklace .....	201
Náhradní díly .....	201
Pravidelná kontrola.....	201
Rozsah pravidelné kontroly.....	201
Odstraňování závad.....	202

## Důležité

Tato příručka pro uživatele obsahuje důležité bezpečnostní pokyny a informace týkající se použití zvedáku a příslušenství.

V této příručce je uživatel osoba, která se zvedá. Asistent je osoba, která se zvedákem pracuje.

**Upozornění!**

Tento symbol označuje důležité informace týkající se bezpečnosti. Pečlivě postupujte podle těchto pokynů.

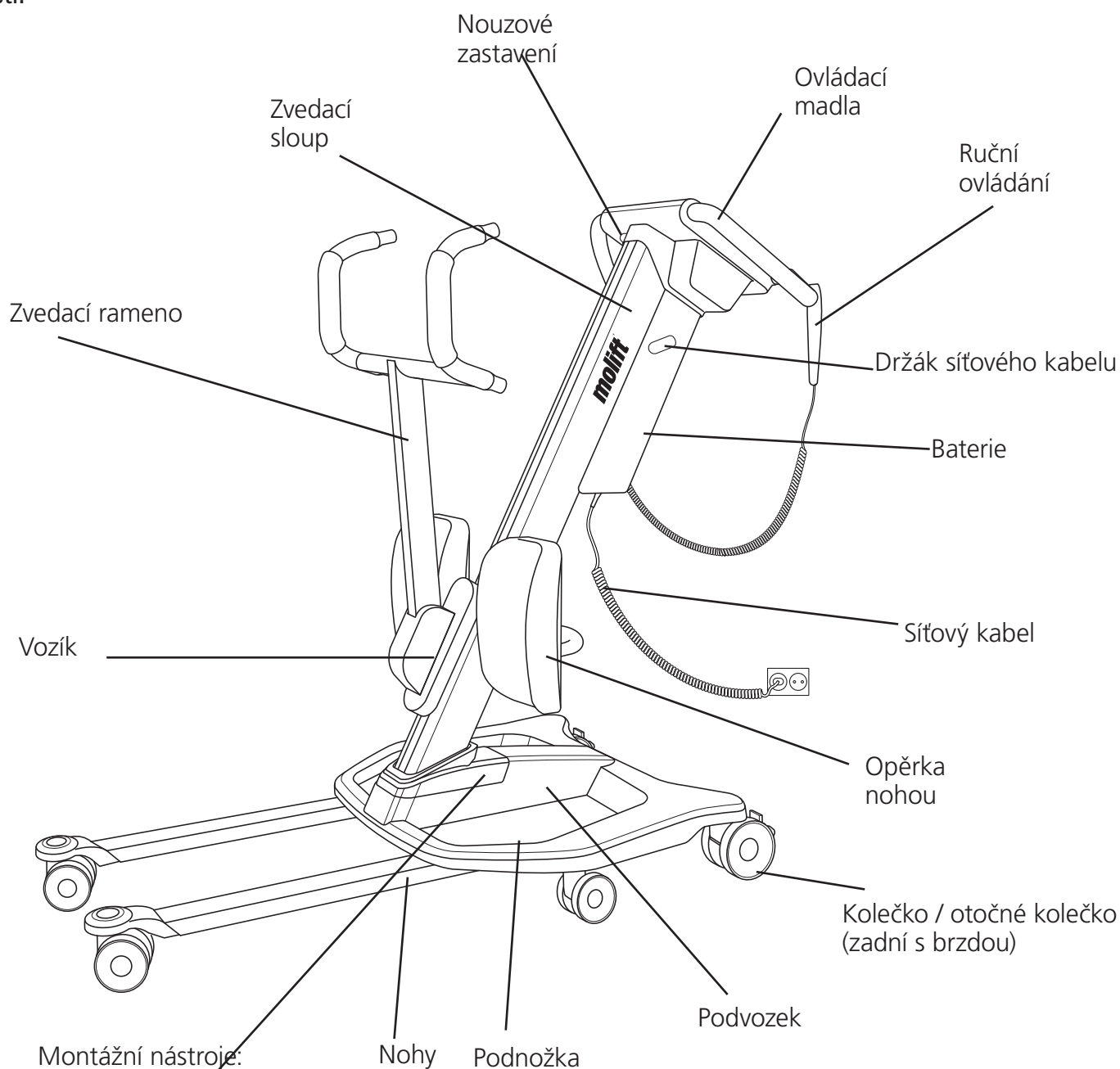
**Před použitím si přečtěte tuto příručku!**

Než se pokusíte se zařízením pracovat, je důležité plně porozumět obsahu této příručky pro uživatele.

Stáhněte si dokumentaci na [www.etac.com](http://www.etac.com), abyste měli nejnovější verzi.

*Prohlášení výrobce naleznete v technické příručce k zařízení Molift Quick Raiser (TM13001)*

## Součásti:



Montážní nástroje:



Imbusový klíč 6 mm  
Klíč 17 mm

## O zařízení Molift Quick Raiser 205

Molift Quick Raiser 205 je zvedák pro zvedání ze sedu do stoje určený ke zvedání a přemístění osoby z nebo do židle, invalidního vozíku nebo toalety pomocí závěsu. Molift Quick Raiser 205 je určen uživatelům, kteří jsou schopni se řídit pokyny, mají dobrou stabilitu horní části těla a mohou podepřít váhu těla alespoň jednou nohou, ale při vstávání potřebují pomoc. Tvar zvedáku a geometrie pohybu zvedání napodobuje přirozený vzorec pohybu člověka. Zvedák je vyroben z lehkých materiálů, je vybaven kolečky a elektrickým

motorem napájeným baterií. Zvedací zařízení se ovládá ručním ovládáním nebo ovládacím panelem na zvedacím zařízení. Má elektricky nastavitelné nohy a nosnost 205 kg (451 lb).

Je ideální pro ústavní péči, ale může se používat také v domácí péči a pečovatelských domech. Zvedák by se měl používat pouze pro přemístování na krátké vzdálenosti, například mezi židlí a lůžkem nebo do koupelny / na toaletu a nenahrazuje invalidní vozík nebo podobné zařízení.

## Obecné informace

CZ

### Prohlášení o shodě



Molift Quick Raiser 205 a související příslušenství, popsané v této příručce pro uživatele, jsou označeny CE v souladu se směrnicí Rady EU 93/42/EHS o zdravotnických prostředcích třídy 1 a byly testovány a schváleny třetí stranou v souladu s normami IEC 60601-1, IEC 60601-1-2 a NS-EN ISO 10535:2021.

### Podmínky použití

Zvedání a přenášení osob vždy představuje jisté riziko; zařízení a příslušenství uvedené v této příručce pro uživatele může používat pouze proškolený personál.

### Modifikace a použití součástí od jiných výrobců.

Doporučujeme používat pouze komponenty a náhradní díly Molift společnosti Etac. V případě provedení jakýchkoliv úprav tohoto výrobku není prohlášení o shodě platné a společnost Etac neposkytuje záruku. Společnost Etac nenes odpovědnost za chyby nebo nehody, k nimž může dojít, pokud se použijí součástky vyrobené jinými výrobci.



Otevírat zvedák nebo příslušenství a provádět servis nebo opravy smí pouze certifikovaní pracovníci. Nebezpečí poranění rotujícími částmi a zásahem elektrického proudu.



Zvedák nesmí obsluhovat zvedaná osoba.

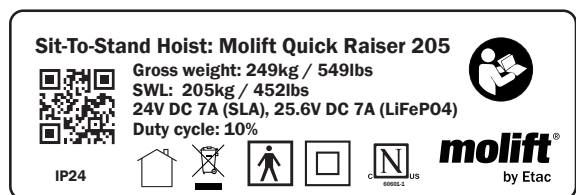
### Záruka

Naše výrobky mají 2letou záruku na vady zpracování a materiály.  
Podmínky záruky viz [www.etac.com](http://www.etac.com)

## Identifikace výrobku

### Štítek výrobku / GS1-128

Štítek s čárovým kódem obsahuje číslo EAN, sériové číslo a datum výroby.



Příložná část typu BF



Indikátor nabíjení



Označení CE



Symbol dvojité izolace



Viz příručka pro uživatele



Výrobce



Použití pouze v interiéru



Datum výroby



Nelikvidujte spolu s běžným odpadem



Katalogové číslo



Nouzový posun dolů



Sériové číslo



Indikátor servisu



Zdravotnický prostředek



Indikátor baterie

### Výstražné štítky a symboly

Podrobněji vysvětlené symboly použité u tohoto výrobku:

**Bezpečné pracovní zatížení (SWL):**

205 kg (451 lb)

**Hmotnost jednotky:**

Celková hmotnost jednotky: 44,5 kg (98 lb)

Podvozek: 17 kg (37,5 lb)

Zvedací sloup: 19 kg (41,9 lb)

Opěrka nohou: 3,5 kg (7,7 lb)

4bodové zvedací rameno: 5 kg (11 lb)

**Baterie:**

SLA 24 V 2,9 Ah

LiFePO4 25,6 V 2,4 Ah

**Nabíječka baterií:**

Příkon: 100-240 VAC, 50-60 Hz, max 0,35

A

Výkon: 29,4 VDC, 0,5 A

**Doba nabíjení baterie:**

5 hodin

**Jmenovitý výkon:**

100 zvednutí při: 75 kg a 500 mm

**Rychlost zvedání:**35 mm/sekundu (1,4 palců/sekundu)  
se zatížením 75 kg (165 lb)**Třída ochrany:**

IP24 (Kompletní zvedák).

*Kulatý předmět o průměru 12,5 mm zcela nepronikne. Voda stříkající na kryt z kteréhokoliv směru nemá žádný škodlivý účinek.***Tlačítko ovládání:**

Tlačítka na kontrolním panelu: &lt; 5 N

Tlačítka na ovladači: &lt; 5 N

**Materiál:**

Hliník, plast, ocel

**Motor:**

Zvedací motor: 24 V DC

Motor ovládající posun nohou: 24 V DC

**Průměr otáčení:**

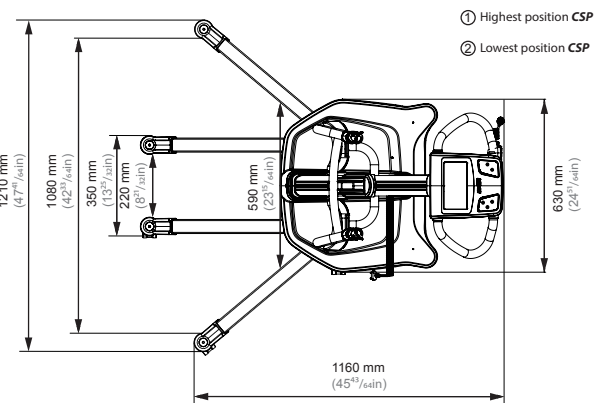
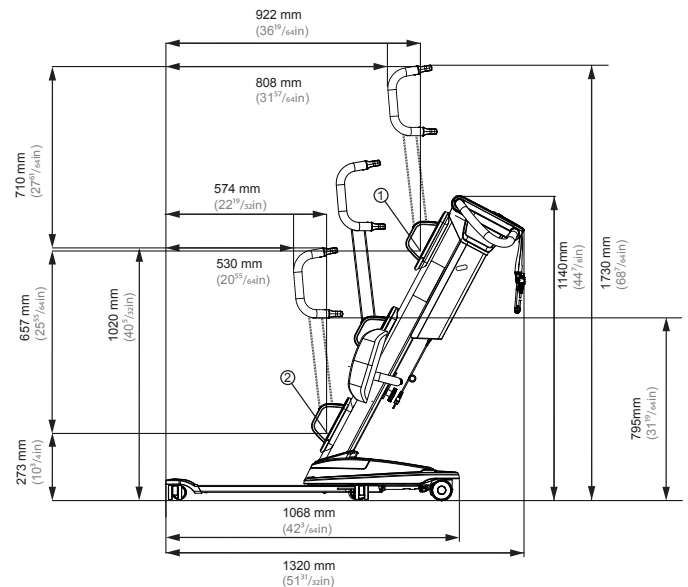
1 144 mm (57 palců)

**Předpokládaná životnost:**Zvedák má předpokládanou životnost  
30 000 cyklů nebo 10 let.**Použité části:**

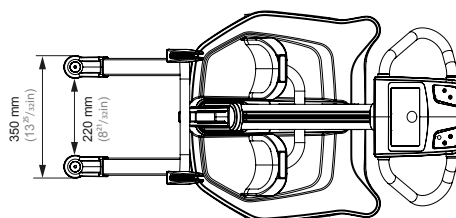
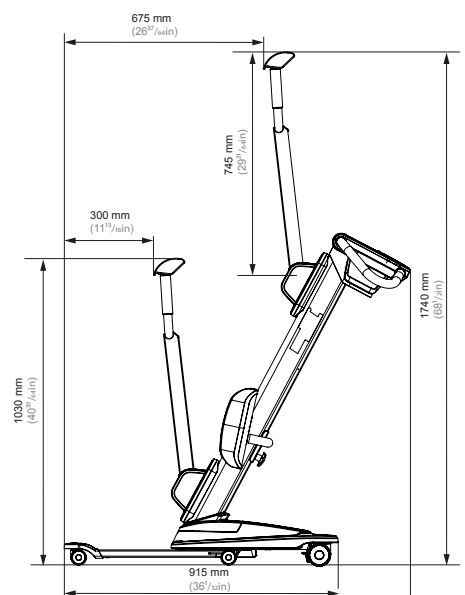
Popruh

Opěrka nohou

Rukojeti kyvného ramena



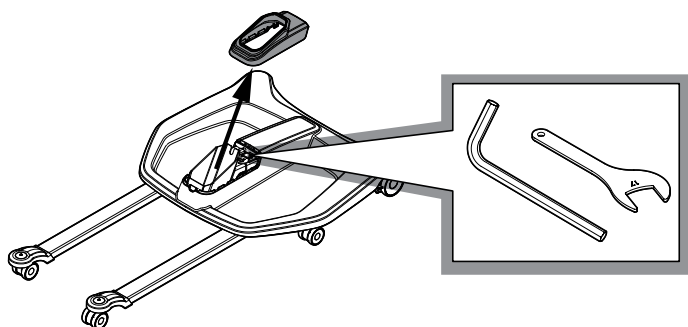
Measurements, QuickRaiser 205 with fixed legs:



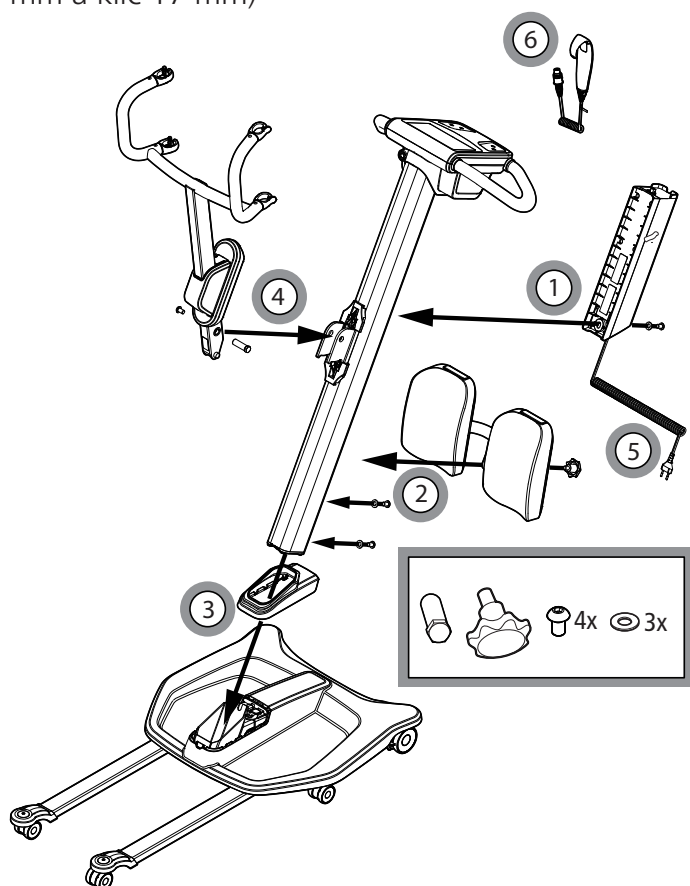
# Návod k montáži

**CZ**

## Před montáží



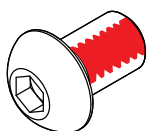
Připravte si montážní nástroje (imbusový klíč 5 mm a klíč 17 mm)



1. Baterie
2. Opěrka nohou
3. Sloup na podvozku
4. Zvedací rameno
5. Síťový kabel
6. Ruční ovládání

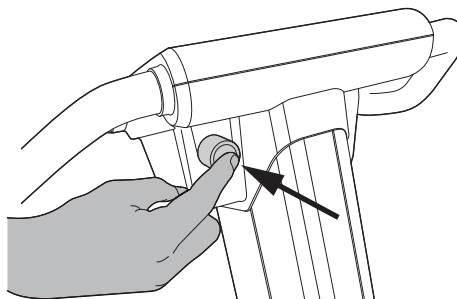


Zvedák může smontovat pouze vyškolená osoba

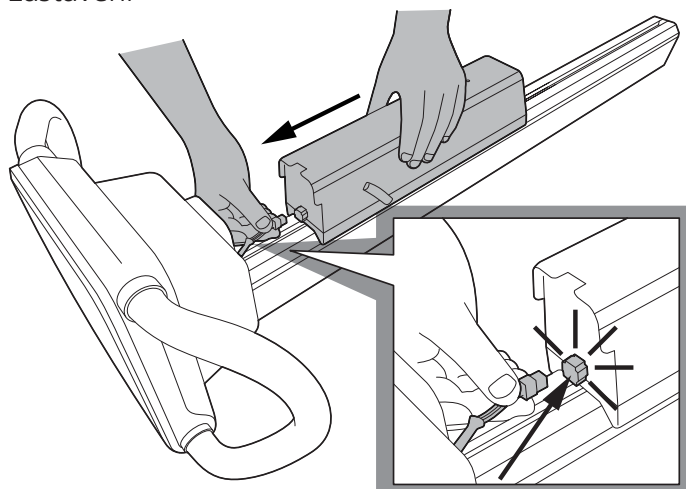


Všechny šrouby s předem aplikovaným adhezivem se mohou použít pouze jednou. Náhradní díl číslo výrobku 2920075

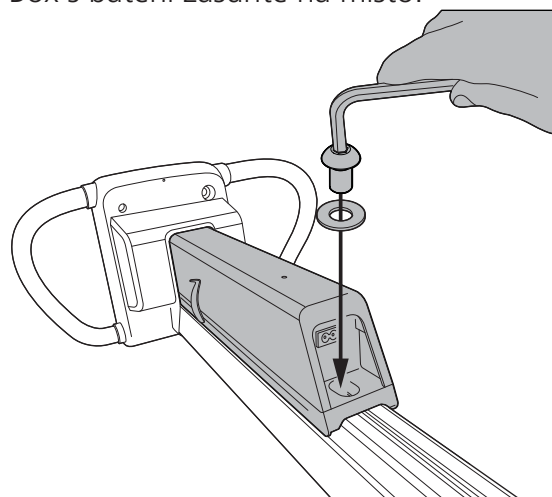
## 1 - Baterie



Před montáží stiskněte tlačítko nouzového zastavení



Položte sloup na vodorovný povrch. Zkontrolujte, že je stisknuté tlačítko nouzového zastavení. Připojte vodič z ovládacího panelu k boxu baterie. Box s baterií zasuňte na místo.

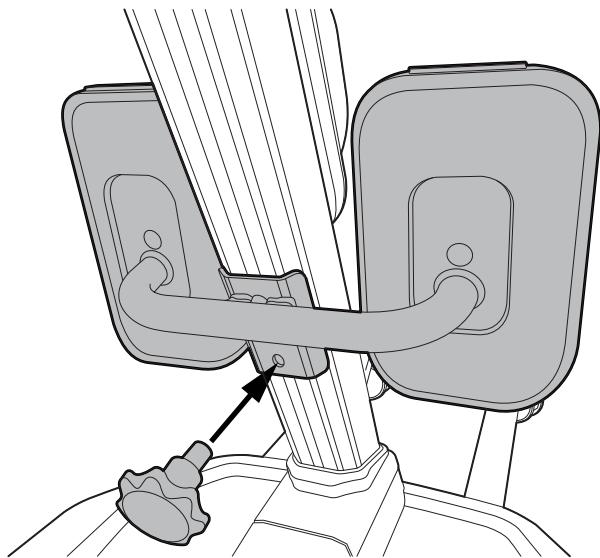


Pomocí imbusového klíče utáhněte šroub po směru hodinových ručiček. Upozornění! Nezapomeňte použít podložku.

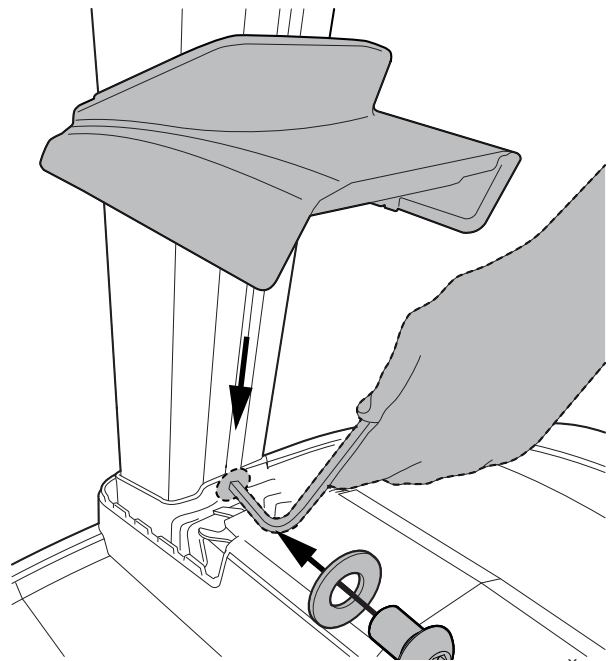


Než budete montovat sloup na podvozek, zkontrolujte, že je baterie řádně upevněna

## 2 - Opěrka nohou

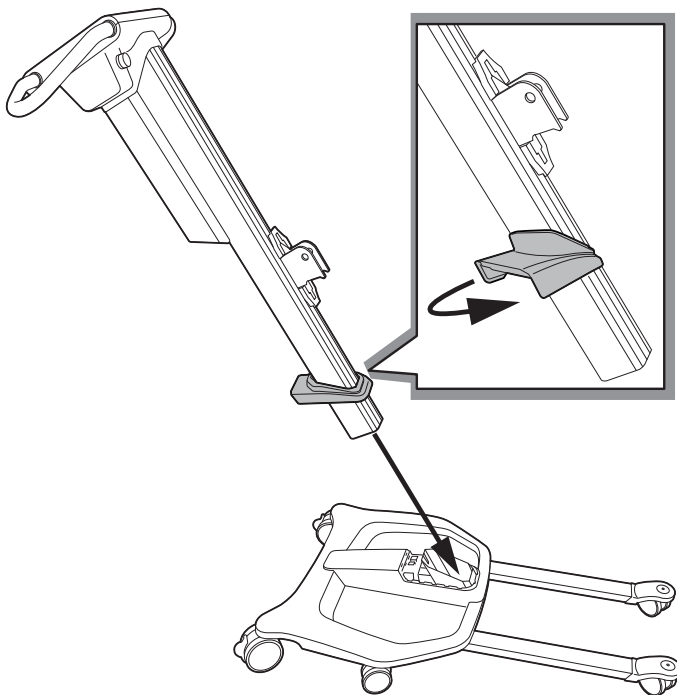


Namontujte držák opěrky nohou.

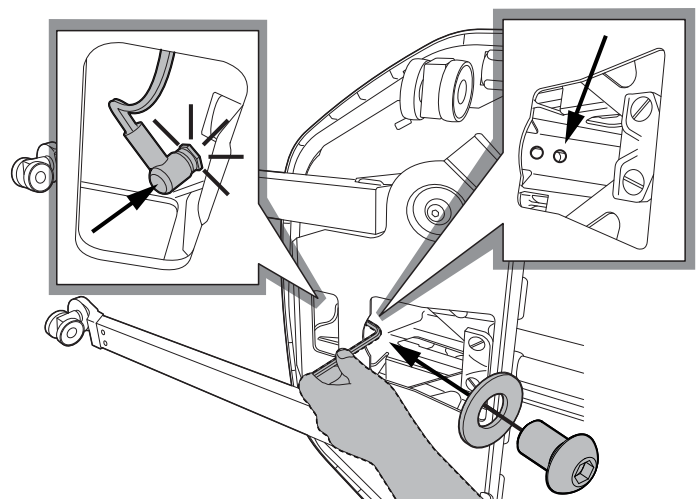


Na sloup namontujte šroub s podložkou. Šroub posuňte dolů na podvozek a utáhněte jej.

## 3 - Zvedací sloup a podvozek



Na zvedací sloup umístěte kryt. Kryt otočte na stranu, aby zůstal upevněn na sloupu. Zvedací sloup vložte do podvozku.

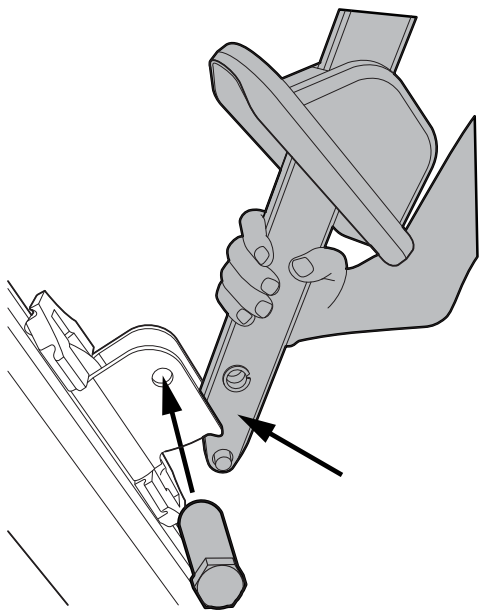


Otočte zvedák na bok. Do horního otvoru vložte šroub a podložku a šroub utáhněte. Sloup a podvozek propojte kabelem. (POZN.! Kabel NENÍ použitelný s verzí Molift Quick Raiser 205 FL)

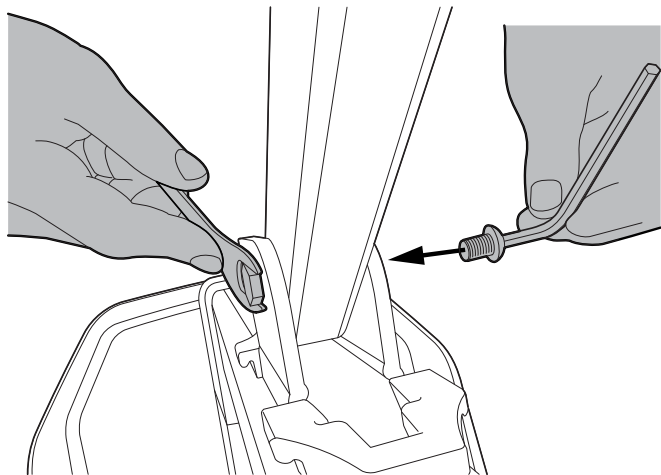


Šrouby zajistí, že sloup není možno vytáhnout směrem vzhůru. Zvedák nepoužívejte, pokud nejsou oba šrouby bezpečně utažené.

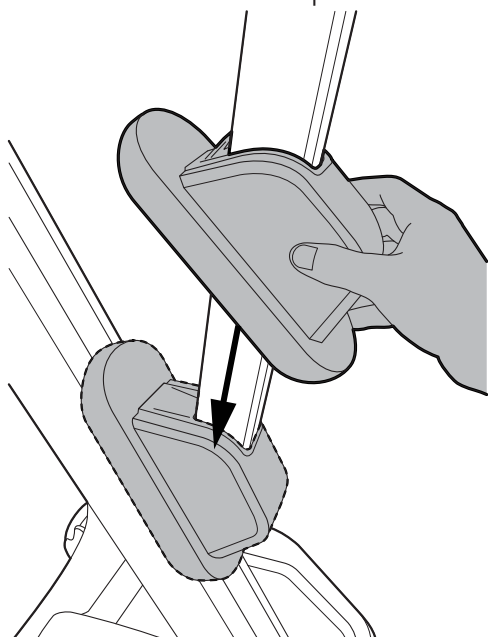
## 4 - Zvedací rameno



Na zvedací rameno umístěte kryt. Zvedací rameno umístěte na vozík a vložte šroub.

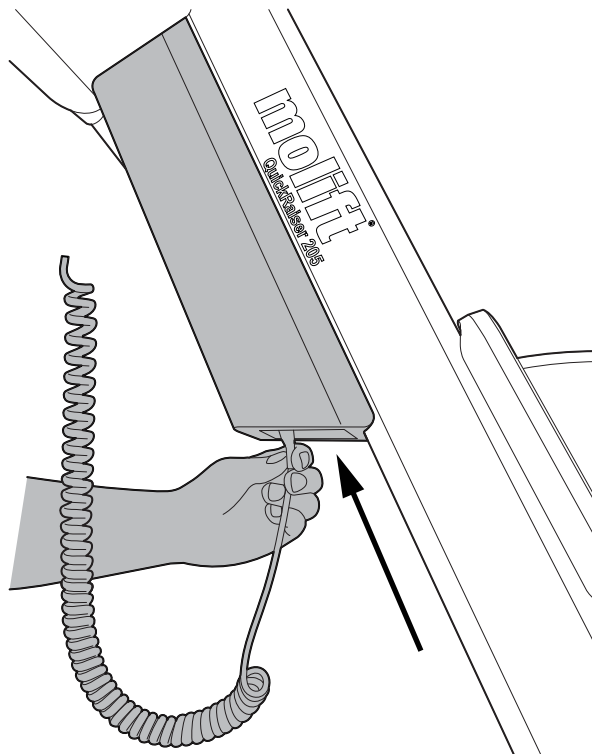


Vložte šroub a pomocí klíče 17 mm a imbusového klíče 6 mm šroub utáhněte. Zkontrolujte, že je zvedací rameno řádně upevněno k vozíku na sloupu.

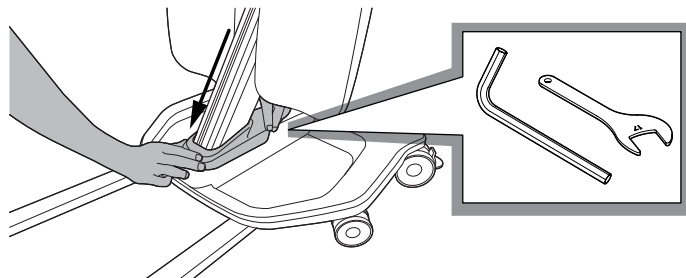


Na vozík nasad'te kryt

## 5 - Síťový kabel

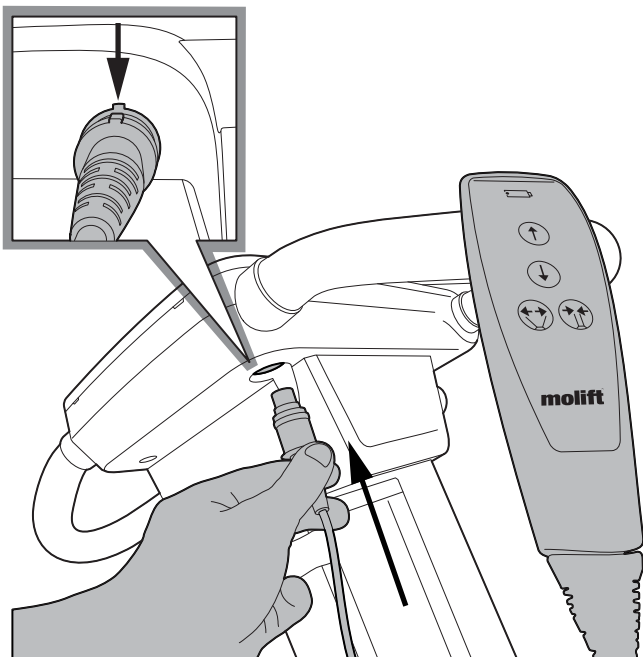


Síťový kabel připojte ke spodní části boxu baterie.



Na podvozek připevněte kryt. Nezapomeňte vrátit nástroje na místo.

## 6 - Ruční ovládání



Připojte ruční ovládání k ovládacímu panelu.



Po montáži zvedák nepoužívejte, dokud neprovedete kontrolu pomocí kontrolního seznamu.

## Postup kontroly po montáži

Pomocí tohoto kontrolního seznamu ověřte, že je zvedák správně smontován a je bezpečný.



Po montáži resetujte tlačítko nouzového zastavení otočením po směru hodinových ručiček. Servisní světlo by mělo svítit žlutě. Po provedení kontroly podle seznamu resetujte indikátor servisu, jak je popsáno v pokynech k montáži.

- Zkontrolujte, že jsou opěrka nohou a zvedací rameno řádně upevněny a že na zvedáku nejsou žádné uvolněné části.
- Zkontrolujte, že je zvedací sloup řádně upevněn na podvozku - oba šrouby jsou utažené.
- Zvedák zapojte do elektrické zásuvky a zkontrolujte, že integrovaná nabíječka baterie funguje. Pokud je to zapotřebí, nabijte baterii.
- Zkontrolujte, že zvedák není viditelně poškozen nebo nemá jiné závady.
- Proved'te jedno zvednutí se zatížením 50-100 kg  
Poznámka! Během nabíjení zvedák nefunguje.

## Resetování indikátoru servisu

Pokud LED indikátor servisu svítí žlutě, kontaktujte servisního partnera Molift ohledně nezbytných opatření.

Indikátor servisu začne opět svítit žlutě po uplynutí 12 měsíců, kdy je čas na pravidelnou kontrolu.

# Jak používat Molift Quick Raiser 205

CZ

## Obecná bezpečnostní opatření

Používejte pouze příslušenství a popruhy, které jsou přizpůsobeny tak, aby vyhovovaly uživateli, typu postižení, velikosti, hmotnosti a typu přenosu.

## Poměr pracovní pauzy/pracovní cyklus.

Zařízení Molift Quick Raiser 205 by nemělo pracovat soustavně po dobu delší než 2 minuty (s maximální zátěží) a být v klidu minimálně 18 minut. Pracovní cyklus 10 %. (Přerušení v souladu s normou ISO-EN 10535)

## Bezpečné pracovní zatížení

Na zvedáku je vyznačeno bezpečné pracovní zatížení (Safe Working Load, SWL)



Pokud se liší maximální zatížení (SWL) zavěšení zvedáku a podpěrné jednotky, vždy se použije nejnižší maximální zatížení



Zvedáky Molift se používají pouze ke zvedání osob. Zvedák nikdy nepoužívejte ke zvedání jakýchkoliv předmětů.

## Před použitím / každodenní kontrola

Kontrola, která se má provádět denně nebo před použitím:

- Zkontrolujte, že zvedák nemá známky viditelného poškození, vad nebo deformací
- Ujistěte se, že jsou připojeny zvedacího ramene, opěrky nohou a boxu s baterií a všech snímatelných částí řádně připojena a zajištěna
- Vyzkoušejte tlačítko nouzového zastavení
- Zkontrolujte nabití baterie a indikátor servisu
- Dbejte na to, aby popruh nebyl viditelně poškozený nebo roztřepený.
- Zkontrolujte, že se kolečka volně otáčejí a že

- se se zvedákem snadno manipuluje
- Vyzkoušejte funkce zvedáku a ujistěte se, že zvedák nevydává žádné neobvyklé zvuky



Pokud se objevily závady nebo nedostatky, je třeba přestat zvedák používat a označit jej nápisem „mimo provoz“

## Ruční ovládání

Ruční ovládání má 4 tlačítka určená ke zvedání a spouštění zvedacího ramene a mechanismus posunu noh směrem dovnitř a ven.

Ruční ovládání má kontrolku, která se rozsvítí, jakmile je baterie málo nabitá a zvedák vyžaduje nabití

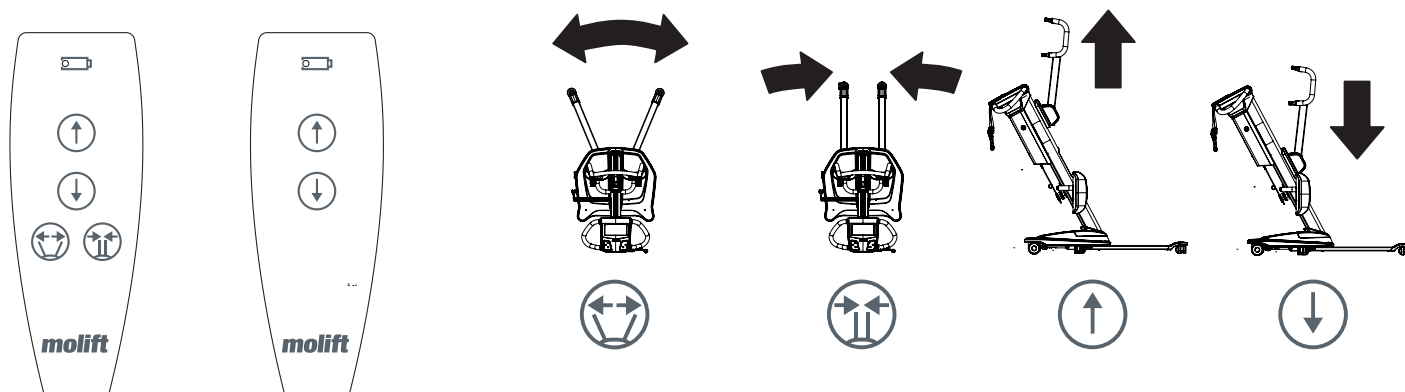
Ruční ovládání se 4 tlačítky: Č. výrobku 2910010  
Ruční ovládání se 2 tlačítky Č. výrobku 2910011

## Zvedací rameno nahoru/dolů

POZNÁMKA! Zvedák je nejvíce nestabilní v poloze nahoře .

## Nohy - dovnitř / ven

POZNÁMKA! Roztažené nohy poskytují zvýšenou stabilitu a lepší přístup k židli nebo toaletě.



## Bezpečnostní zařízení


Molift Quick Raiser 205 je vybaven několika bezpečnostními prvky, které jsou určeny k tomu, aby se v případě nesprávného použití nebo selhání předešlo poranění personálu nebo poškození zařízení.

Zvedák má čidlo přetížení, které brání použití zvedáku v případě překročení bezpečného pracovního zatížení.

Závěs je sklopený, aby se předešlo přimáčknutí uživatele ramenem nebo závěsem.

## Ovládací madla

K pohybu zvedáku použijte ovládací madla.

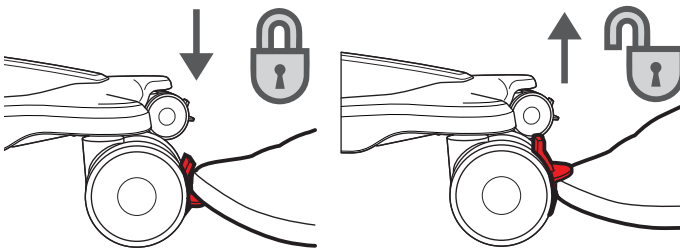


**Netlačte ani netahejte uživatele, zvedací sloup ani zvedací rameno. Může to způsobit problémy se stabilitou a zvedák se může převrhnout.**

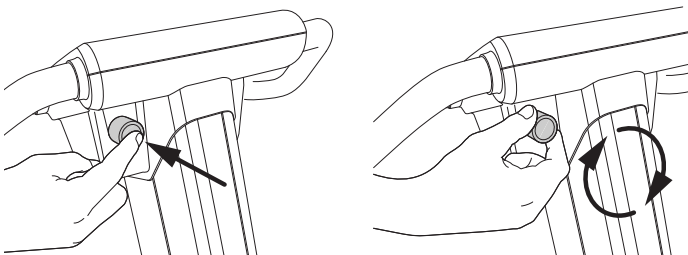
Zvedák se používá pouze k přesunu na krátké vzdálenosti. Není určen jako náhrada invalidního vozíku nebo podobného zařízení.

## Brzdy

Zadní kola/otočná kolečka jsou vybavena nožními brzdami. Brzdy se uzamknou sešlápnutím brzdy. Brzda se uvolní vytažením nahoru nebo kopnutím do horní části.

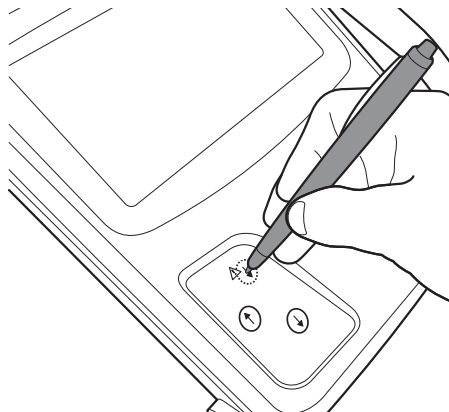


## Nouzové zastavení / Nouzový posun dolů




### Nouzové zastavení

Stisknutím nouzového tlačítka se vypne napájení. Resetujte otočením po směru hodinových ručiček.

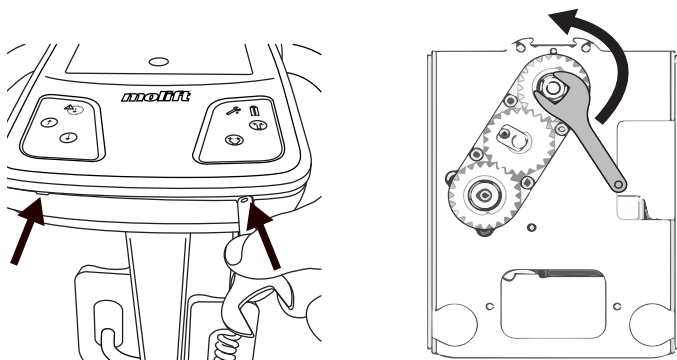


### Elektrický nouzový posun dolů

Chcete-li závěs posunout dolů, pomocí pera nebo jiného ostrého předmětu stiskněte a podržte tlačítko nouzového posunu dolů. Funkce elektrického nouzového posunu dolů nefunguje, když je aktivováno nouzové zastavení.




**Elektrický nouzový posun dolů použijte pouze v případě, že nefunguje žádné jiné tlačítko.**




### Ruční nouzový posun dolů

Pomocí klíče umístěného ve spodním krytu odpojte na dvou místech kryt ovládacího panelu.



**Před sejmutím krytu stiskněte tlačítko nouzového zastavení. Otočné části představují riziko přiskřípnutí!**

Pomocí klíče 17 mm otáčejte kuličkovým šroubem počítadla po směru hodinových ručiček, dokud se uživatel bezpečně nedostane dolů. Funkce ručního nouzového spouštění dolů by se měla používat pouze v případě, že nefunguje nouzový elektrický posun dolů.



**Pokud se použije nouzový posun dolů, označte zvedák nápisem „mimo provoz“ a objednejte servis!**

# Elektronika

CZ

## Přepravní a provozní podmínky

### Doprava a skladování

Pro dlouhodobé uložení se doporučuje aktivovat tlačítko nouzového zastavení (stlačit). Zvedák je možno skladovat a přepravovat při teplotách od -25 do 70 °C.

### Provoz

Zvedák je určen k použití při běžné pokojové teplotě (+5 až +40 °C).

Tlak vzduchu: 70 - 106 kPa

Relativní vlhkost: 15 - 93 %

Po uložení nebo přepravě při jiných teplotách ponechte zvedák v místnosti s vhodnou teplotou, až dosáhne bezpečné provozní teploty.



Zdravotnické elektrické přístroje vyžadují zvláštní opatření týkající se elektromagnetické kompatibility (EMC). Přenosná nebo mobilní radiokomunikační zařízení mohou zdravotnické elektrické přístroje ovlivňovat; měla by být uložena v minimální vzdálenosti 25 cm (10 palců) od elektronického zařízení zvedáku.

## Baterie

Molift Quick Raiser 205 je k dostání s baterií 24V SLA nebo baterií 25.6V LiFePO4 - obě s integrovanou nabíječkou.



Baterie SLA má životnost přibližně 500 nabíjecích cyklů.

Baterie LiFePO4 má životnost přibližně 2000 nabíjecích cyklů.



Baterie se musí zlikvidovat jako zvláštní odpad v souladu s místními pravidly a předpisy. Nelikvidujte spolu s běžným odpadem

## Indikátor baterie a servisu






	Symbol klíče / Indikátor servisu
	Symbol baterie / Indikátor baterie

Elektrický systém má funkci úspory energie, která vypne elektrický systém

5 minut po poslední operaci. Všechny indikátory se vypnou. Systém se aktivuje stisknutím některého z ovládacích tlačítek

### Indikátor baterie na ovládacím panelu

Když víceúrovňový indikátor baterie svítí žlutě, bude mít zvedák dostatek energie pro jeden celý cyklus zvedání s maximálním zatížením. Když baterie bliká žlutě, je možné pouze spustit zvedací rameno.

Indikátor baterie	Úroveň nabití baterie
	Zelená 80 % nebo více
	Zelená 80 - 60 %
	Zelená 60 - 40 %
	Zelená 40 - 20 %
	Žlutá nebo blikající žlutá 20 % nebo méně (dobít zvedák)

## Indikátor servisu

Elektronické zařízení zvedáku zaznamenává zvedanou hmotnost a počet zvednutí. Po určité době provozu se objeví signál oznamující nutnost provedení servisu.

### Indikátor servisu (od 1. 1. 2018)

<i>Servisní světlo</i>	<i>Režim</i>
Světlo nesvítí	Servis není zapotřebí
Bliká zeleně	Objednat servis
Žlutá	Vyžaduje se pravidelná kontrola
Červená	Provést servis



Neumísťujte zvedák tak, aby bylo obtížné odpojit síťový kabel



Zvedák nenabíjejte v koupelně ani v jiné místnosti s vlhkým povrchem!



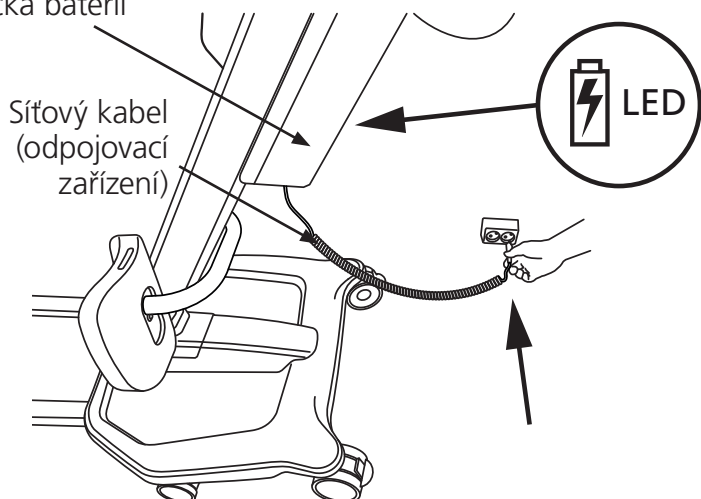
Před přemístěním zvedáku vyjměte přívodní kabel ze zásuvky

### Indikátor servisu (do 31. 12. 2017)

<i>Servisní světlo</i>	<i>Režim</i>
Světlo nesvítí	Servis není nutný
Žlutá	Objednat servis
Bliká žlutě	Vyžaduje se pravidelná kontrola
Červená	Provést servis

## Nabíjení

Integrovaná nabíječka baterií



Zvedák je vybaven integrovanou nabíječkou. Pro nabití baterie zaparkujte zvedák a připojte jej k zásuvce. Při nabíjení bude kontrolka LED na zadní straně boxu baterie svítit červeně. Když je baterie plně nabitá, bude LED indikátor na boxu baterie svítit zeleně. Při nabíjení LED indikátory na ovládacím panelu každých 10 sekund zablikají.

## Přemísťování

**CZ**

Zvedání si naplánujte předem, aby byla zajištěna co největší bezpečnost a plynulost. Dbejte na to, abyste pracovali ergonomicky. Vyhodnoťte rizika a udělejte si poznámky. Za bezpečnost uživatele odpovídá asistent.

### Použití závěsů

Je důležité, aby se závěs vyzkoušel ve spojení s individuálním uživatelem a předpokládanou situací při zvedání.



Před použitím závěsu si přečtěte příručku pro uživatele.

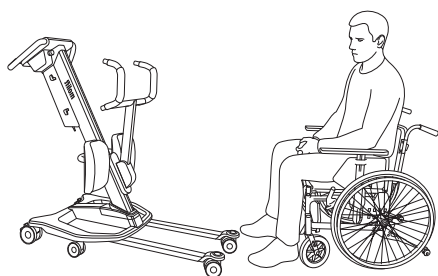


Nepoužívejte poškozené nebo silně opotřebované závěsy.

### Závěsy od jiných výrobců

Používejte pouze závěsy Molift. Společnost Etac nenese odpovědnost za chyby nebo nehody, k nimž může dojít, pokud se použijí závěsy vyrobené jinými výrobci.

### Nastavení opěrky nohou

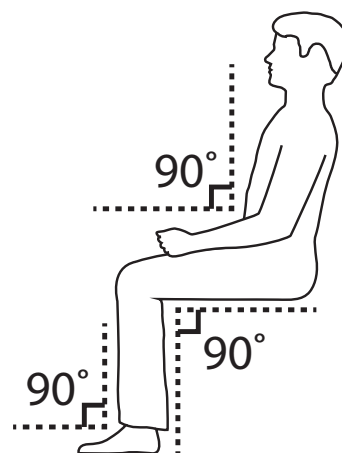
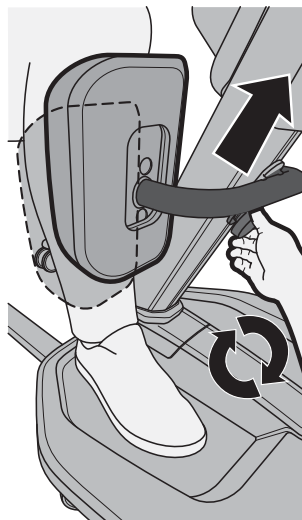


Umístěte zařízení Quick Raiser 205 před uživatele. Položte nohy na podnožku. Pokud je to zapotřebí, pomozte uživateli správně umístit nohy. Než budete uživatele zvedat, zajistěte kolečka zvedáku. Optimální úhel kloubů uživatele před zvednutím je 90 stupňů.

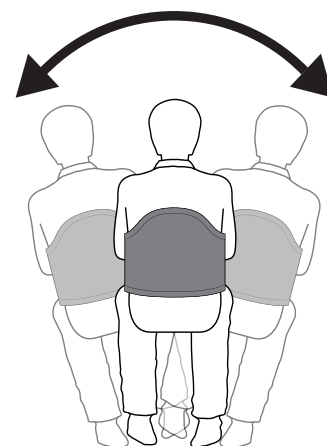


Dbejte na to, aby byla výška opěrky nohou nastavena tak, aby vyhovovala individuální anatomii uživatele. Horní část polštářů by měla být 2 cm pod kolenem uživatele

Pokud to je zapotřebí, nastavte opěrku nohou výše nebo níže pomocí otočného kolečka.

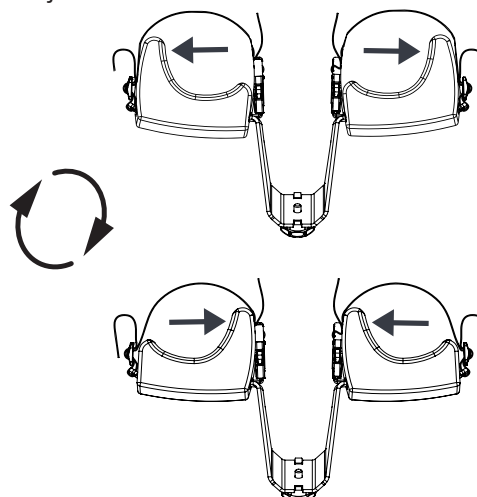


Než budete uživatele zvedat nebo posouvat dolů, zkontrolujte, zda nevisí směrem dopředu nebo se nekymácí na strany.

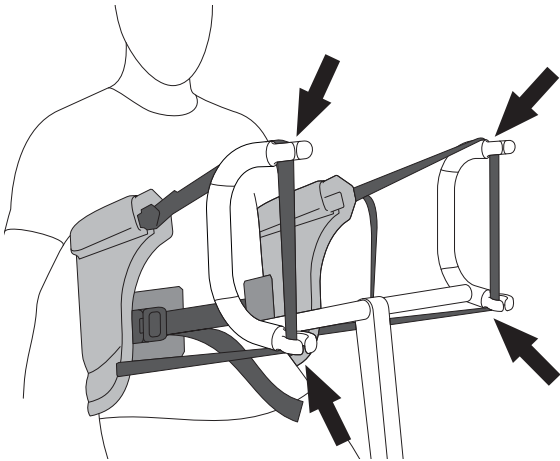


### Alternativní opěrka nohou s popruhy

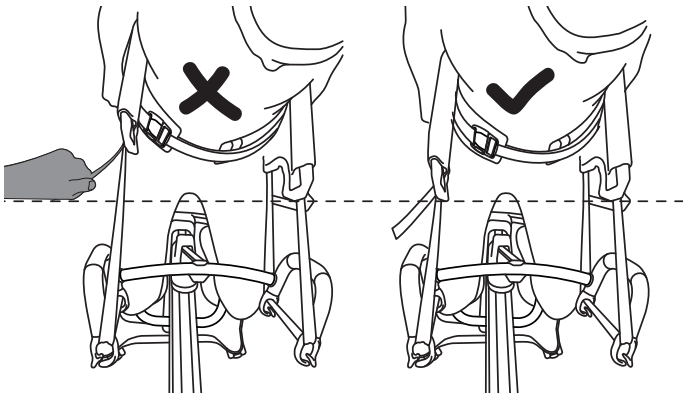
Alternativní opěrku nohou s popruhy je možno odstranit a otočit o 180 stupňů tak, aby se zvýšila opěra na vnější i vnitřní straně nohou uživatele.



## Použití 4bodového závěsu



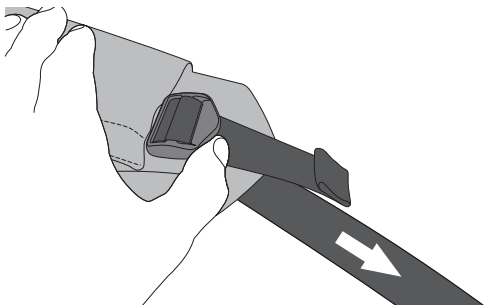
Upevněte závěs na zvedací rameno tak, aby byl popruh zaveden do všech 4 háků.



Zatažením za volný popruh upravte délku popruhů. Dbejte na to, aby obě strany byly stejně dlouhé.

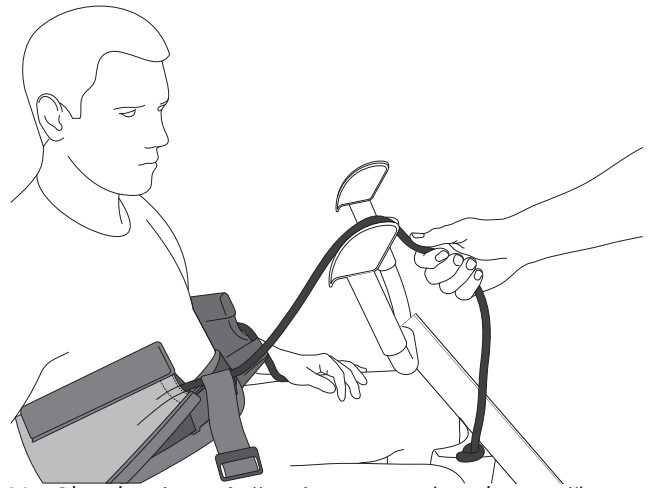
Váha pacienta zajistí zapadnutí popruhu do zvedacího ramene. Při zvedání se musí uživatel mírně naklonit dozadu a pokud možno se držet područek.

## Odstranění závěsu



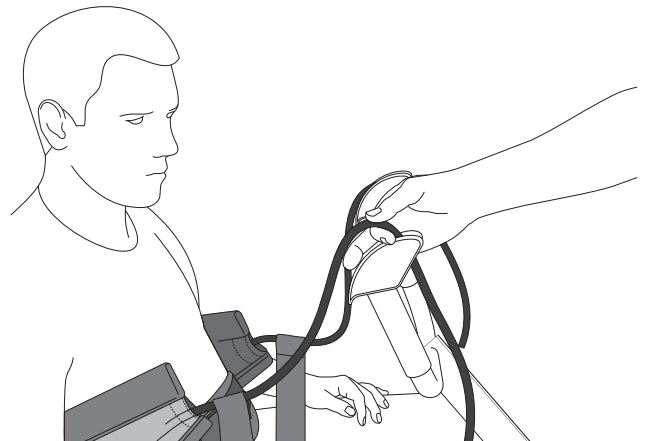
Zachyťte přezku, uvolněte popruhy a vytáhněte je.

## Použití 2bodového závěsu



Na 2bodovém závěsném rameni se lana připevní ke zvedacímu rameni silným zatažením shora a upevněním do zámků pro lana.

## Odstranění závěsu



Uvolněte pás tím, že posouváte prsty po laně směrem od pacienta.

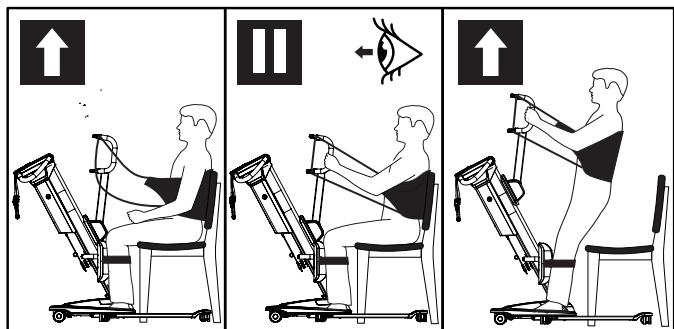


RgoSling Active se může používat pouze se 4bodovým závěsem.  
RgoSling Stand Up se může používat pouze s 2bodovým závěsem.

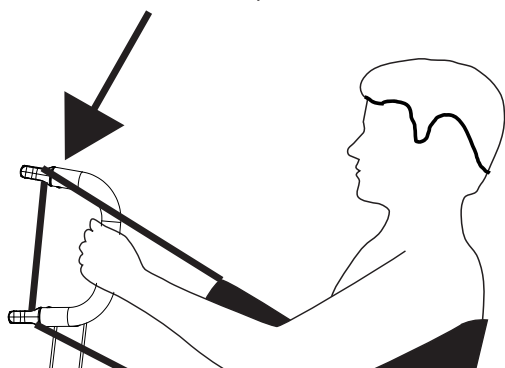
## Zvedání/spouštění dolů

Při přemísťování uživatele se postavte vedle osoby, kterou zvedáte. Dbejte na to, aby ruce a nohy neblokovaly sedadlo, lůžko atd. Udržujte oční kontakt s uživatelem; bude mít pocit bezpečí.

Pokud to je možné: Pomocí tlačítka pro ovládání nastavení šířky na ručním ovládání zvětšete před zvedáním šířku základny kol.



1. Zkontrolujte, zda je uživatel v závěsu správně umístěn a zda jsou smyčky popruhu správně umístěny do závěsných háků.
2. Zkontrolujte, zda má uživatel obě nohy pevně umístěny na podnožce zvedáku.
3. Napněte popruhy závěsu, aniž byste uživatele zvedli. Zkontrolujte, zda jsou obě smyčky závěsu bezpečně upevněné, aby uživatel nemohl vyklouznout nebo spadnout.
4. Zkontrolujte, že je spona řádně zapnutá.
5. Zvedněte uživatele do pozice ve stoje a pokud je to zapotřebí, utáhněte a upravte závěs.

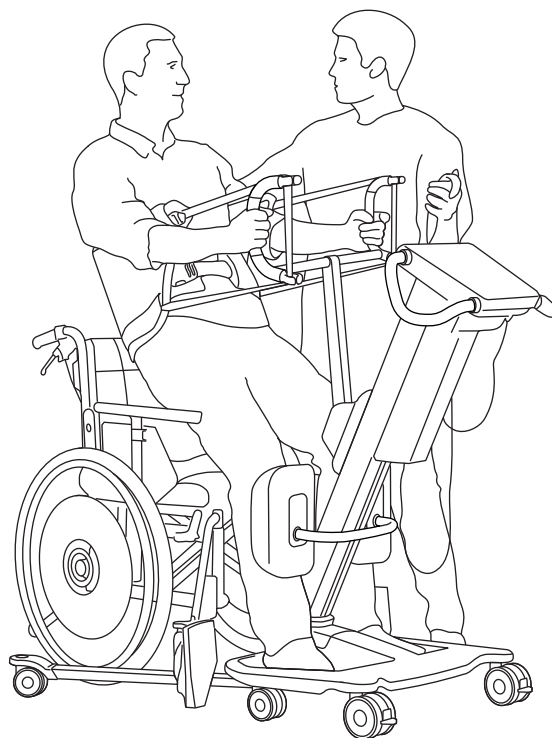


**Dbejte na to, aby byly ruce uživatele umístěny správně tak, aby ruce nebo prsty uživatele nezmáčkly zvedací popruhy.**

**POZNÁMKA!** Kola zařízení, z něž se uživatel zvedá nebo na něž se pokládá, musí být v uzamčené poloze.

## Přemísťování

Opatrně zvedněte pacienta tak, až se dostanou hýždě nad sedadlo; pak utáhněte pás. Odemkněte kolečka zvedáku a přesuňte pacienta na nové místo.



Postupujte opatrně, abyste nenarazili do nábytku, zdi, dveří atd.



**Zvedák se nesmí používat ke zvedání nebo přemísťování na šikmých površích**

Vyhýbejte se kobercům s vysokým vlasem, vysokým prahům, nerovným povrchům a dalším překážkám, které mohou zablokovat kolečka. Při přesunu přes takové překážky může být zvedák nestabilní a zvyšuje to riziko převrácení.

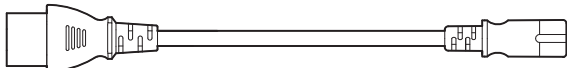
Zvedák se používá pouze k přesunu na krátké vzdálenosti. Nejedná se o náhradu invalidního vozíku a podobně.

(Doporučené) volitelné vybavení a příslušenství pro Molift Quick Raiser 205.

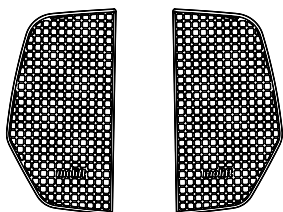
### Zvedací ramena a závěsy

#### Příslušenství

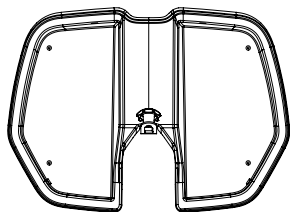
Prodlužovací kabel napájecího kabelu  
Č. výrobku: 2920117



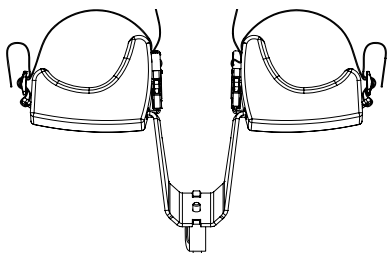
Sada vložek na podnožku  
Č. výrobku: 2920151



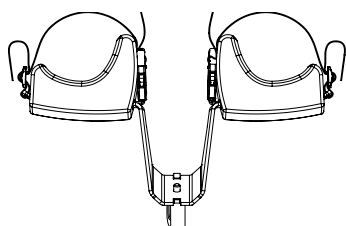
Stupátko  
Č. výrobku: 2910065



Alternativní opěrka nohou s popruhy  
Č. výrobku: 2910056  
(Kompletní sada s držákem a velkými polštáři)

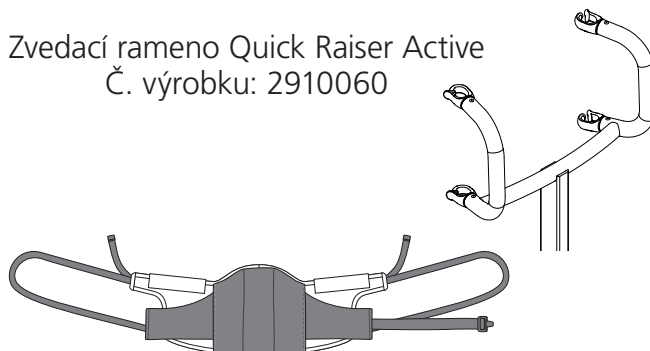


Alternativní opěrka nohou s popruhy  
Č. výrobku: 2910057  
(Kompletní sada s držákem a malými polštáři)



#### 4bodový závěs:

Zvedací rameno Quick Raiser Active  
Č. výrobku: 2910060

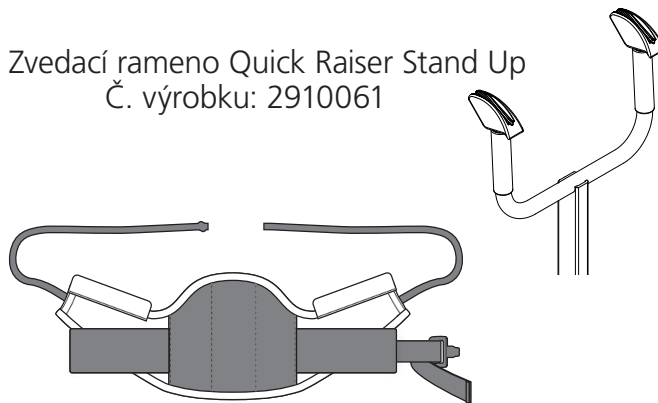


#### Rgosling Active

Č. výrobku: 1720910 Velikost XS  
Č. výrobku: 1720920 Velikost S  
Č. výrobku: 1720930 Velikost M  
Č. výrobku: 1720940 Velikost L  
Č. výrobku: 1720950 Velikost XL

#### 2bodový závěs:

Zvedací rameno Quick Raiser Stand Up  
Č. výrobku: 2910061



#### Rgosling Stand Up

Č. výrobku: 1720710 Velikost XS  
Č. výrobku: 1720720 Velikost S  
Č. výrobku: 1720730 Velikost M  
Č. výrobku: 1720740 Velikost L  
Č. výrobku: 1720750 Velikost XL

#### Rgosling Stand Up Padded

Č. výrobku: 1720810 Velikost XS  
Č. výrobku: 1720820 Velikost S  
Č. výrobku: 1720830 Velikost M  
Č. výrobku: 1720840 Velikost L  
Č. výrobku: 1720850 Velikost XL

## Údržba

CZ

### Čištění a dezinfekce

Provádějte pravidelné čištění. Povrchy očistěte vlhkým hadříkem pomocí vhodného čisticího prostředku s neutrálním pH. Nepoužívejte rozpouštědla nebo koncentrované kapaliny, mohlo by dojít k poškození povrchu zvedáku. Pokud je zapotřebí provést dezinfekci, použijte izopropylalkohol. Nepoužívejte abrazivní čisticí prostředky.

- Při čištění spodní části sejměte zvedací rameno
- Pokud je to zapotřebí, sejměte polštář na kolena a očistěte jej pod tekoucí vodou
- Z koleček odstraňte nečistoty a chloupky a zkontrolujte, zda se kolečka volně otáčejí.

Pokud je to zapotřebí, očistěte kontakty a ruční ovládání ispropylalkoholem, aby se odstranila mastnota a nečistota. Po očištění zkontrolujte nouzové zastavení. Zvedák by se neměl dostat pod tekoucí vodu.



Při čištění dbejte na to, abyste nepoškodili nebo neodstranili štítky.

### Repasování

Při repasi postupujte podle pokynů k čištění a montáži, proveďte pravidelnou kontrolu a po montáži použijte kontrolní seznam.

### Recyklace

Informace o tom, jak správně produkt zlikvidovat, naleznete v „Pokynech k recyklaci“. Viz [www.etac.com](http://www.etac.com).

### Náhradní díly

Seznam náhradních dílů je k dispozici na vyžádání.

## Pravidelná kontrola

### Rozsah pravidelné kontroly

Pravidelná kontrola znamená vizuální prohlédnutí (zejména nosné konstrukce zvedáku a zvedacího mechanismu a jejich příslušenství, brzd, ovladačů, bezpečnostního zařízení a zařízení pro podporu osoby) v souladu s pravidelnou zprávou o kontrole zařízení Molift Quick Raiser 205. Viz [www.etac.com](http://www.etac.com).



Pokud dojde k problémům, které by mohly ohrozit něčí bezpečnost, musí být zvedák okamžitě vyřazen z provozu a označen nápisem „mimo provoz“. Zvedák nepoužívejte, dokud nebude opraven.

Při provádění pravidelné kontroly vyplní kontrolor pro zařízení Molift Quick Raiser 205 inspekční zprávu. Zprávu si ponechá osoba/osoby odpovídající za provádění servisu zvedáku. Pokud kontrola odhalí vady a poškození, bude zvedák vyřazen z provozu a označen nápisem „mimo provoz“ až do doby, kdy bude opraven. Po provedení pravidelné kontroly resetujte indikátor servisu, viz strana 8

Pravidelnou kontrolu je nutno provádět nejméně jednou ročně nebo častěji, pokud to vyžadují místní předpisy. Kontrolu musí provést servisní pracovník pověřený společností Etac. Ohledně poškození a pověření nebo doporučení schváleného servisního partnera kontaktujte společnost Etac na adrese [molift@etac.com](mailto:molift@etac.com).

Problém	Možná příčina/akce
Zvedací sloup se viklá	Uzamykací šrouby nejsou řádně zajištěny nebo zvedací sloup není řádně umístěn na podvozku / zkontrolujte, zda je sloup řádně umístěn na podvozku a/nebo utáhněte šrouby
Zvedák se pohybuje pouze jedním směrem (nahoru nebo dolů) / nohy se pohybují pouze jedním směrem (dovnitř nebo ven)	Porucha ručního ovládání / vyměňte za alternativní ovládání z jiného zvedáku a/nebo nové ruční ovládání
	Porucha elektroniky/ kontaktujte místního zástupce servisu
Zvedák se sám pohybuje nahoru a / nebo dolů / nohy se pohybují samy	Zkrat mezi ručním ovládáním a zvedákem / vyčistěte konektory ručního ovládání a podvozek pomocí alkoholu, aby se odstranila mastnota a nečistota
	Selhalo ruční ovládání / vyměňte ruční ovládání / kontaktujte místního servisního zástupce
	Relé/porucha elektroniky / vyměňte elektroniku/ relé / kontaktujte místního servisního zástupce
Zvedací rameno se nepohybuje / nohy se nepohybují	Vybitá baterie / nabijte baterii
	Aktivováno nouzové zastavení / resetujte otočením proti směru hodinových ručiček
	Ruční ovládání je odpojeno / připojte ruční ovládání
	Selhalo ruční ovládání / vyměňte ruční ovládání / kontaktujte místního servisního zástupce
	Porucha elektroniky / kontaktujte místního servisního zástupce
	Porucha motoru / kontaktujte místního servisního zástupce
	Zkontrolujte kontakt mezi sloupem a podvozkem



**UK REP**

**Etac Ltd.**

Unit 60, Hartlebury Trading Estate,  
Hartlebury, Kidderminster,  
Worcestershire, DY10 4JB  
+44 121 561 2222

**CH REP**



**Sodimed SA**

Ch. Praz-Devant 12  
CH-1032 Romanel-sur-Lausanne  
+41 58 911 06 06



**Etac A/S**

Parallevej 3  
DK-8751 Gedved



+45 796 858 33



patienthandling@etac.com



www.etac.com

**molift**<sup>®</sup>  
by Etac